

GATE HARDWARE
GATE AUTOMATION
ACCESS CONTROL
GATE SAFETY
ALUMINIUM GATES



Rolling Center
UK
INNOVATIVE SOLUTIONS FOR
METAL GATES AND DOORS

2024
TRADE
CATALOGUE

**MORE
THAN JUST
GATE
HARDWARE!**

TEL: 0113 201 6677
WWW.ROLLINGCENTER.CO.UK

CONTENTS

ROLLING CENTER 2024

TRADE CATALOGUE

	ABOUT US	4
SECTION A	GATE AUTOMATION	7
SECTION B	SAFETY PRODUCTS	59
SECTION C	ACCESS CONTROL	83
SECTION D	INTERCOMS	119
SECTION E	LOCKS & CLOSERS	159
SECTION F	SWING GATE HARDWARE	207
SECTION G	SLIDING GATE HARDWARE	227
SECTION H	CANTILEVER GATE HARDWARE	247
SECTION I	ALUMINIUM GATES	267
SECTION J	COMPOSITE FENCE BOARDS	277



TRADE CATALOGUE 2024

With thousands of gate hardware and gate automation products, barriers, safety kits, access control, locks, closers and intercoms, Rolling Center is your go-to supplier for all things gate related. Here, we'll introduce you to our best selling lines and demonstrate the breadth of our range, but for everything else, our website has the full range of products and solutions: **www.rollingcenter.co.uk** or our experienced and friendly team will be able to help you by calling **0113 201 6677**.

Thank you for your continued support.

Join our Aluminium Gates trade partner programme

We're the exclusive distributor of La Toulousaine, Europe's no.1 manufacturer of high quality aluminium gates, with a wide selection of styles, designs, colours and finishes plus an impressive 25 year warranty on all our aluminium gates! We welcome applications from new trade installers wanting to join our partner network as an approved Rolling Centre Aluminium Gates installer.

Visit **<https://www.rollingcenter.co.uk/Approved-Installer-network>** to sign up.



Why choose Rolling Center

- Free pre-sale and post-sale technical support available by phone, email, online chat and WhatsApp
- Large stockholding
- Independent and unbiased towards any brand
- Competitive trade pricing
- Fast delivery and Click & Collect
- Order online, by phone or visit our Trade Counter
- Showroom & Training Centre with product displays, samples, demonstrations and training
- Regular supplier open days to learn, network and gain a competitive edge
- Regular product offers and exclusive trade deals

Brands we supply



... Plus many more

'24

2024 TRADE CATALOGUE

GATE HARDWARE
GATE AUTOMATION
ACCESS CONTROL
GATE SAFETY
ALUMINIUM GATES



TEL. 0113 201 6677

SECTION A

GATE AUTOMATION

HIGH SPEED SLIDING AUTOMATION	8
SLIDING AUTOMATION	10
GEAR RACK	17
HIGH SPEED UNDERGROUND SWING AUTOMATION	18
UNDERGROUND SWING AUTOMATION	20
HIGH SPEED ABOVE GROUND AUTOMATION	30
ABOVE GROUND SWING AUTOMATION	32
ABOVE GROUND HYDRAULIC SWING AUTOMATION	42
ABOVE GROUND ARTICULATED SWING AUTOMATION	46
BARRIER AUTOMATION	48
BOLLARD AUTOMATION	50
TRANSMITTERS	55
RECEIVERS	57



NICE ROBUSH HIGH SPEED

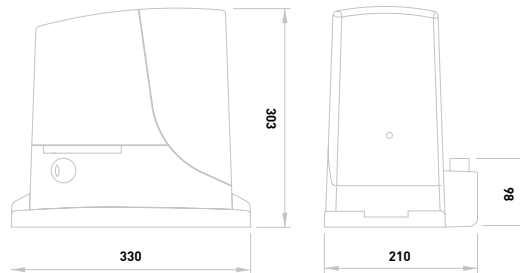
- 1 x **RB500HS HIGH SPEED** Operator
- 2 x **ONZE** 2 Channel transmitters
- 1 x **Pair of EPMB** Photocells
- 1 x **OXIBD** 4 Channel bi-directional receiver



NICE ROBUSHS KIT - 24v High speed sliding gate automation up to 500kg

ROBUS500HS-KIT	Irreversible - electromechanical limits - built in control unit - 24vdc - gates up to 500kg
SPARES & ACCESSORIES	
RB500HS	Motor - Irreversible - electromechanical limits - built in control unit - 24vdc - gates up to 500kg
RBA3/HS	Spare control unit for ROBUSH HS motor
PS124	24vdc battery backup with integrated charger
O-VIEW	Programming & diagnostic unit with BUS T4 connection
BIDI-WIFI	Plug-in programming & diagnostic unit with BUS T4 connection

TECHNICAL INFO:



IDEAL FOR INTENSIVE USE

4 m gate takes around 9* seconds with RB500HS.



Dimensions in: mm		ROBUS HIGH SPEED SLIDING MOTOR UP TO 500KG
ELECTRICAL DATA		RB500HS
POWER SUPPLY		230 VAC 50/60 HZ
MOTOR SUPPLY		24VDC
CURRENT		2.2
PERFORMANCE DATA		
SPEED (M/S)		0.44
FORCE (N)		360
WORK CYCLE (CYCLES PER HOUR)		20
DIMENSIONAL & GENERAL DATA		
PROTECTION LEVEL		IP44
WORKING TEMP (°C MIN/MAX)		-20 - +50
DIMENSIONS (MM)		330 X 210 X 303
MOTOR WEIGHT (KG)		11

WE STOCK A VAST RANGE OF GATE ROLLERS, GEAR RACK AND MANY OTHER GATE HARDWARE PRODUCTS

Visit www.rollingcenter.co.uk or call 0113 201 6677 for more information.

COMPATIBILITY TABLE WITH CONTROL SYSTEMS AND ACCESSORIES:

Code	RECEIVER				TRANSMITTER								PHOTOCELLS				LIGHT								
	Built-in*	OXI	OXIBD	OXILR	ERA INTI	ERA ONE	ERA ONE BD	ERA ONE LR	ERA FLOR	NICEWAY	EPS	EPM	EPL	EPSB	EPMB	EPLB	EPNOW	EPNOR	F210	FT210	F210B	FT210B	ELAC	ELDC	WLT
RB500HS		•	•	•	•	•	•	•	•	•				•	•	•	•				•	•	•		

**NICE RUN1200HS KIT - 24v High speed sliding gate automation up to 1200kg**

RUNKIT1200HS

Irreversible - electromechanical limits - built in control unit - 24vdc - gates up to 1200kg

SPARES & ACCESSORIES

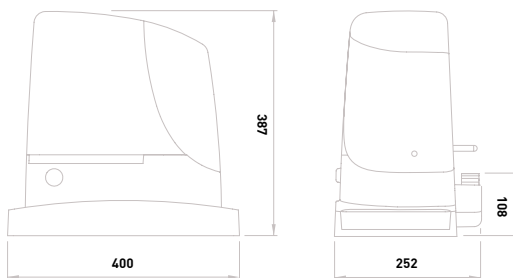
RUN1200HS	Motor - irreversible - electromechanical limits - built in control unit - 24vdc - gates up to 1200kg
RUA6	Spare control unit for RUN1200HS motor
B12-B	12v 6ah battery for use with PS524 charge card
PS524	Charge card for 7ah batteries
O-VIEW	Programming & diagnostic unit with BUS T4 connection

**NICE RUN HIGH SPEED**

1 x RUN1200HS HIGH SPEED Operator
2 x ONZE 2 Channel transmitters
1 x Pair of EPMB Photocells
1 x OXIBD 4 Channel bi-directional receiver

TECHNICAL INFO:**RAPID MANOEUVRES**

Opening a 7m gate takes around 18 seconds with RUN1200HS.



Dimensions in: mm

RUN HIGH SPEED SLIDING MOTOR UP TO 1200KG

ELECTRICAL DATA		RUN1200HS
POWER SUPPLY		230VAC 50/60 HZ
MOTOR SUPPLY		24VDC
CURRENT		2A
PERFORMANCE DATA		
SPEED (M/S)		0.37
FORCE (N)		790
WORK CYCLE (CYCLES PER HOUR)		60
DIMENSIONAL & GENERAL DATA		
PROTECTION LEVEL		IP44
WORKING TEMP (°C MIN/MAX)		-20 - +50
DIMENSIONS (MM)		400 X 225 X 387
MOTOR WEIGHT (KG)		24.5

COMPATIBILITY TABLE WITH CONTROL SYSTEMS AND ACCESSORIES:

Code	RECEIVER					TRANSMITTER					PHOTOCELLS								LIGHT						
	Built-in*	OXI	OXIBD	OXILR	ERA INTI	ERA ONE	ERA ONE BD	ERA ONE LR	ERA FLOR	NICEWAY	EPS	EPM	EPL	EPSEB	EPMB	EPLB	EPMOW	EPMOR	F210	F210	F210B	F210B	ELAC	ELDC	WLT
RUN1200HS		•	•	•	•	•	•	•	•					•	•	•	•	•			•	•		•	•

VIDEX 4G GSM INTERCOM WITH KEYPAD

Turn to page 130



NICE SLIGHT KIT

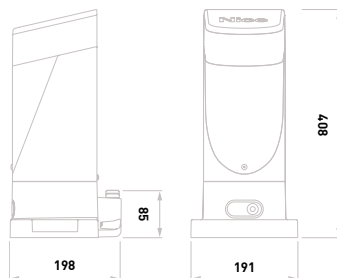
- 1 x **SLH400** Operator
- 2 x **ONZE** 2 Channel transmitters
- 1 x Pair of **EPMB** Photocells
- 1 x **ELDC** Flashing light
- 1 x **OXIBD** 4 Channel bi-directional receiver



NICE SLIGHT KITS - 24v sliding gate automation up to 400kg, 6m gate length max

SLH400BDKCE	Irreversible - absolute encoder - built-in LED light & control unit - gates up to 400kg, 6m max
SPARES & ACCESSORIES	
SLH400	Motor - Irreversible - absolute encoder - built-in LED light & control unit - gates up to 400kg, 6m max
SPNKA3R10	Spare control unit for SLH400 motor
PS124	24vdc battery backup with integrated charger
BIDI-WIFI	Plug-in programming & diagnostic unit with BUS T4 connection

TECHNICAL INFO:



Dimensions in: mm		SLIGHT SLIDING GATE OPERATOR 400KG UP TO 6M
ELECTRICAL DATA		SLH400
POWER SUPPLY		230VAC 50/60 HZ
MOTOR SUPPLY		24VDC
CURRENT		1.1A
PERFORMANCE DATA		
SPEED (M/S)		0.34
FORCE (N)		400
WORK CYCLE (CYCLES PER HOUR)		35
DIMENSIONAL & GENERAL DATA		
PROTECTION LEVEL		IP44
WORKING TEMP (°C MIN/MAX)		-20 - +50
DIMENSIONS (MM)		198 X 191 X 408
MOTOR WEIGHT (KG)		6.5

NICE O-VIEW GATE AUTOMATION PROGRAMMING UNIT



Turn to page **109**

COMPATIBILITY TABLE WITH CONTROL SYSTEMS AND ACCESSORIES:

Code	RECEIVER				TRANSMITTER								PHOTOCELLS				LIGHT								
	Built-in*	OXI	OXIBD	OXILR	ERA INTI	ERA ONE	ERA ONE BD	ERA ONE LR	ERA FLOR	NICEWAY	EPS	EPM	EPL	EPSB	EPMB	EPLB	EPNOW	EPNOR	F210	F210	F210B	F210B	ELAC	ELDC	WLT
SLH400		•	•	•	•	•	•	•	•	•				•	•	•	•	•				•	•	•	•

**NICE NAKED KITS - 24v concealed motor sliding gate automation up to 400kg**

NAKEDKIT1 Irreversible - absolute encoder - built in control unit - 24vdc - gates up to 400kg

SPARES & ACCESSORIES

NKSL400 Motor - Irreversible - absolute encoder - built in control unit - 24vdc - gates up to 400kg

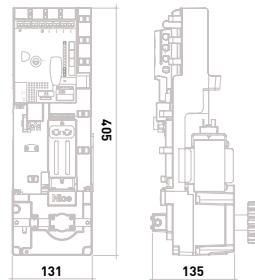
SPNKA3R10 Spare control unit for NKSL400 motor

PS124 24vdc battery backup with integrated charger

O-VIEW 24vdc Programming & diagnostic unit with BUS T4 connection backup with integrated charger

NICE NAKED KIT

1 x NKSL400 Operator
 2 x ON2E 2 Channel transmitters
 1 x Pair of EPMB Photocells
 1 x OXIBD 4 Channel bi-directional receiver

TECHNICAL INFO:

Dimensions in: mm

NAKED SLIDING GATE OPERATOR 400KG UP TO 6M

ELECTRICAL DATA		NKSL400
POWER SUPPLY		230VAC 50/60 HZ
MOTOR SUPPLY		24VDC
CURRENT		1.1A
PERFORMANCE DATA		
SPEED (M/S)		0.34
FORCE (N)		400
WORK CYCLE (CYCLES PER HOUR)		35
DIMENSIONAL & GENERAL DATA		
PROTECTION LEVEL		IP44
WORKING TEMP (°C MIN/MAX)		-20 - +50
DIMENSIONS (MM)		131 X 135 X 405
MOTOR WEIGHT (KG)		6.5

*The protection degree of the automation is determined by the composition motor and column.

COMPATIBILITY TABLE WITH CONTROL SYSTEMS AND ACCESSORIES:

Code	RECEIVER				TRANSMITTER				PHOTOCELLS								LIGHT								
	Built-in*	OXI	OXIBD	OXILR	ERA INTI	ERA ONE	ERA ONE BD	ERA ONE LR	ERA FLOR	NICEWAY	EPS	EPM	EPL	EPFB	EPMB	EPLB	EPWOW	EPWOR	F210	FT210	F210B	FT210B	ELAC	ELDC	WLT
NSKL400		•	•	•	•	•	•	•	•	•				•	•	•	•	•			•	•		•	•

SCAN FOR WHATSAPP SALES



NICE ROBUS KIT 1

- 1 x RB600 Operator
- 2 x ONZE 2 Channel transmitters
- 1 x Pair of EPMB Photocells
- 1 x OXIBD 4 Channel bi-directional receiver



NICE ROBUS KIT 3

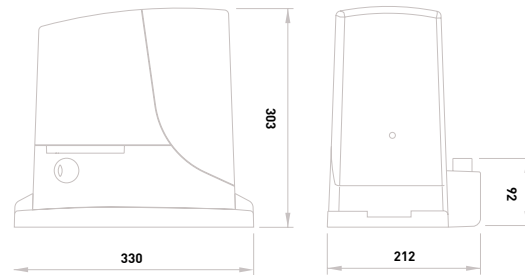
- 1 x RB1000 Operator
- 2 x ONZE 2 Channel transmitters
- 1 x Pair of EPMB Photocells
- 1 x OXIBD 4 Channel bi-directional receiver



NICE ROBUS KITS - 24v sliding gate automation 600 -1000kg

ROBUSKIT1	Irreversible - built-in control unit - electromechanical limits - 24vdc - gates up to 600kg
ROBUSKIT3	Irreversible - built-in control unit - electromechanical limits - 24vdc - gates up to 1000kg
SPARES & ACCESSORIES	
RB600	Motor - irreversible - built-in control unit - electromechanical limits - 24vdc - gates up to 600kg
RB1000	Motor - irreversible - built-in control unit - electromechanical limits - 24vdc - gates up to 1000kg
SPRBA3R10	Spare control unit for ROBUS RB600 & 1000 motor
PS124	24vdc battery backup with integrated charger
BIDI-WIFI	Plug-in programming & diagnostic unit with BUS T4 connection

TECHNICAL INFO:



Dimensions in: mm		ROBUS SLIDING MOTOR UP TO 600/1000KG	
ELECTRICAL DATA		RB600	RB1000
POWER SUPPL		230VAC 50/60 HZ	230VAC 50/60 HZ
MOTOR SUPPLY		24VDC	24VDC
CURRENT		2.5A	2.3A
PERFORMANCE DATA			
SPEED (M/S)		0.31	0.28
FORCE (N)		600	900
WORK CYCLE (CYCLES PER HOUR)		40	50
DIMENSIONAL & GENERAL DATA			
PROTECTION LEVEL		IP44	IP44
WORKING TEMP (°C MIN/MAX)		-20 - +50	-20 - +50
DIMENSIONS (MM)		330 X 303 X 212	330 X 303 X 212
MOTOR WEIGHT (KG)		11	13



ROLLING CENTER CANTILEVER GATE KITS

Turn to page 216

COMPATIBILITY TABLE WITH CONTROL SYSTEMS AND ACCESSORIES:

Code	RECEIVER				TRANSMITTER								PHOTOCELLS						LIGHT						
	Built-in*	OXI	OXIBD	OXILR	ERA INTI	ERA ONE	ERA ONE BD	ERA ONE LR	ERA FLOR	NICEWAY	EPS	EPM	EPL	EPSB	EPMB	EPLB	EPMDW	EPMDR	F210	F210	F210B	F210B	ELAC	ELDC	WLT
RB600		•	•	•	•	•	•	•	•	•				•	•	•	•	•			•	•		•	•
RB1000		•	•	•	•	•	•	•	•	•				•	•	•	•	•			•	•		•	•



NICE RUN KITS - 24v & 230v sliding gate automation 1500 - 1800kg

RUNKIT1	Irreversible - built-in control unit - electromechanical limits - 24vdc - gates up to 1500kg
RUNKIT2	Irreversible - built-in control unit - electromechanical limits - 230v - gates up to 1800kg
SPARES & ACCESSORIES	
RUN1500	Motor - irreversible - built-in control unit - electromechanical limits - 24vdc - gates up to 1500kg
RUN1800	Motor - irreversible - built-in control unit - electromechanical limits - 230v - gates up to 1800kg
SPRBA3R10	Spare control unit for RUN1500 24v motor
RUA1	Spare control unit for RUN1800 230v motor
PS124	24vdc battery backup with integrated charger for RUN1500
O-VIEW	Programming & diagnostic unit with BUS T4 connection

NICE RUN KIT 1

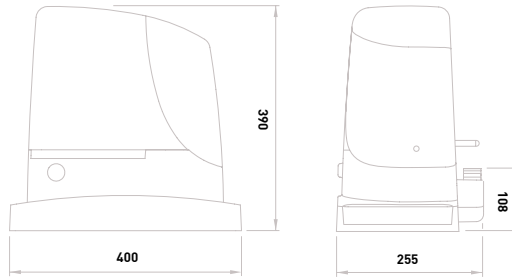
- 1 x RUN1500 Operator
- 1 x ON2E 2 Channel transmitters
- 1 x Pair of EPMB Photocells
- 1 x OXIBD 4 Channel bi-directional receiver



NICE RUN KIT 2

- 1 x RUN1800 Operator
- 2 x ON2E 2 Channel transmitters
- 1 x Pair of EPMB Photocells
- 1 x OXIBD 4 Channel bi-directional receiver

TECHNICAL INFO:



Dimensions in: mm			
RUN SLIDING MOTOR 1500KG UP TO 1800KG			
	RUN1500	RUN1800	
ELECTRICAL DATA			
POWER SUPPLY	230VAC 50/60 HZ	230VAC 50 HZ	
MOTOR SUPPLY	24VDC	-	
CURRENT	2A	3A	
PERFORMANCE DATA			
SPEED (M/S)	0.25	0.17	
FORCE (N)	1000	1110	
WORK CYCLE (CYCLES PER HOUR)	60	42	
DIMENSIONAL & GENERAL DATA			
PROTECTION LEVEL	IP44	IP44	
WORKING TEMP (°C MIN/MAX)	-20 - +50	-20 - +50	
DIMENSIONS (MM)	400 X 255 X 390	400 X 255 X 390	
MOTOR WEIGHT (KG)	19	24.5	

*60Hz version available on request.

COMPATIBILITY TABLE WITH CONTROL SYSTEMS AND ACCESSORIES:

Code	RECEIVER				TRANSMITTER					PHOTOCELLS						LIGHT									
	Built-in*	OVI	OXIBD	OXILR	ERA INTI	ERA ONE	ERA ONE BD	ERA ONE LR	ERA FLOR	NICEWAY	EPS	EPM	EPL	EPSB	EPMB	EPLB	EPMDW	EPMDR	F210	FT210	F210B	FT210B	ELAC	ELDC	WLT
RUN1500		•	•	•	•	•	•	•	•	•				•	•	•	•	•				•	•	•	•
RUN1800		•	•	•	•	•	•	•	•	•				•	•	•	•	•				•	•	•	•

INTERESTED IN AN ALUMINIUM GATE? TAKE A LOOK AT OUR FULL RANGE OF MADE TO MEASURE ALUMINIUM GATES

See page 235 for details



NICE RUN KIT 4

- 1 x RUN2500 Operator
- 2 x ONZE 2 Channel transmitters
- 1 x Pair of EPMB Photocells
- 1 x OXIBD 4 Channel bi-directional receiver



NICE RUN KIT 6

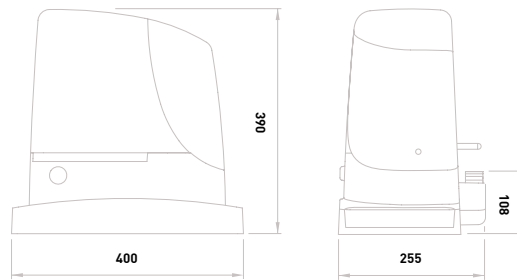
- 1 x RUN 2500I Operator with inverter
- 2 x ONZE 2 Channel transmitters
- 1 x Pair of EPMB Photocells
- 1 x OXIBD 4 Channel bi-directional receiver



NICE RUN KITS - 230v sliding gate automation up to 2500kg

RUNKIT4	Irreversible - built-in control unit - electromechanical limits - 230v - gates up to 2500kg
RUNKIT6	Irreversible - built-in control unit & inverter - electromechanical limits - 230v - gates up to 2500kg
SPARES & ACCESSORIES	
RUN2500	Motor - irreversible - built-in control unit - electromechanical limits - 230v - gates up to 2500kg
RUN2500I	Motor - irreversible - built-in control unit & inverter - electromechanical limits - 230v - gates up to 2500kg
RUA1	Spare control unit for RUN1800 & 2500 motor
RUA2	Spare control unit for RUN2500I motor
RUA3	Spare inverter unit for RUN2500I
BIDI-WIFI	Plug-in programming & diagnostic unit with BUS T4 connection

TECHNICAL INFO:



Dimensions in: mm		RUN SLIDING MOTOR UP TO 2500KG	
		RUN2500	RUN2500I
ELECTRICAL DATA			
POWER SUPPLY		230VAC 50*HZ	230VAC 50/60 HZ
MOTOR SUPPLY		-	-
CURRENT		3.8A	3.7A
PERFORMANCE DATA			
SPEED (M/S)		0.17	0.26
FORCE (N)		1390	1660
WORK CYCLE (CYCLES PER HOUR)		42	56
DIMENSIONAL & GENERAL DATA			
PROTECTION LEVEL		IP44	IP44
WORKING TEMP (°C MIN/MAX)		-20 - +50	-20 - +50
DIMENSIONS (MM)		400 X 255 X 390	400 X 255 X 390
MOTOR WEIGHT (KG)		24.5	25

*60Hz version available on request.

ASO RESISTIVE SAFETY EDGES

Turn to page 71

COMPATIBILITY TABLE WITH CONTROL SYSTEMS AND ACCESSORIES:

Code	RECEIVER				TRANSMITTER								PHOTOCELLS								LIGHT				
	Built-in*	OXI	OXIBD	OXILR	ERA INTI	ERA ONE	ERA ONE BD	ERA ONE LR	ERA FLOR	NICEWAY	EPS	EPM	EPL	EPSB	EPMB	EPLB	EPMOW	EPMOR	F210	F210	F210B	F210B	ELAC	ELDC	WLT
RUN2500	•	•	•	•	•	•	•	•	•	•				•	•	•	•	•			•	•	•	•	•
RUN2500I	•	•	•	•	•	•	•	•	•	•				•	•	•	•	•			•	•	•	•	•



**BENINCA
KBULL624ESA KIT**

- 1 x BULL624ESA Operator
- 1 x CP.B24ESA Built-in control panel
- 2 x TO.G02VA 2 Channel transmitters
- 1 x Pair of PUPILLA Photocells
- 1 x AWO Aerial



**BENINCA
KBULL624 TURBO KIT**

- 1 x BULL624T Operator
- 1 x CP.B24TURBO Built-in control panel
- 2 x TO.G02VA 2 Channel transmitters
- 1 x Pair of PUPILLA Photocells
- 1 x AWO Aerial

BENINCA KBULL 624 ESA & 624 TURBO- 24v sliding gate automation up to 600kg

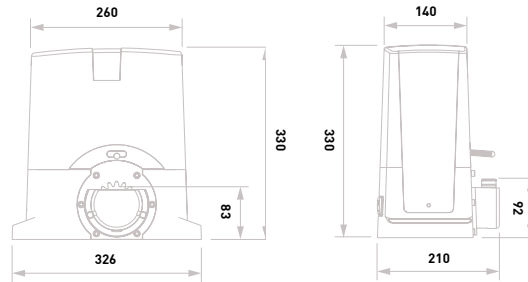
KBULL624ESA	Electromechanical limits - built-in encoder & receiver - 24vdc - gates up to 600kg
KBULL624T	Turbo - electromechanical limits - built-in encoder & receiver - 24vdc - gates up to 600kg
SPARES & ACCESSORIES	
BULL624ESA	Motor - electromechanical limits - built-in encoder & receiver - 24vdc - gates up to 600kg
BULL624T	Turbo motor - electromechanical limits - built-in encoder & receiver - 24vdc - gates up to 600kg
9688131	Control unit for BULL624ESA motor & transformer
CP.B24TURBO	Control unit for BULL624T motor
BULL624T.BB	Battery back up for BULL624TURBO

TECHNICAL INFO:



RAPID MANOEUVRES

Opening a 7m gate can take around 16 seconds with the BULL624 TURBO.



Dimensions in: mm		BULL624ESA & 624 TURBO SLIDING MOTOR UP TO 600KG	
		BULL624ESA	BULL624 TURBO
ELECTRICAL DATA			
POWER SUPPLY		230VAC 50/60 HZ	115 / 230VAC 50/60 HZ
MOTOR SUPPLY		24VDC	24VDC
CURRENT		0.5A	3A
PERFORMANCE DATA			
SPEED (M/S)		0.1625 MAX	0.425 MAX
FORCE (N)		857	330
DUTY CYCLE		INTENSIVE USE	60%
DIMENSIONAL & GENERAL DATA			
PROTECTION LEVEL		IP44	IP44
WORKING TEMP (°C MIN/MAX)		-20 - +50	-20 - +50
DIMENSIONS (MM)		330 X 326 X 210	330 X 326 X 210
MOTOR WEIGHT (KG)		11.7	10

COMPATIBILITY TABLE WITH CONTROL SYSTEMS AND ACCESSORIES:

Code	RECEIVER		TRANSMITTER				PHOTOCELLS			LIGHT		
	Built-in*		TO.G0 VA	TO.G0 AK	IRI TX VA	IRI TX AK	PUPILLA	PUPILLA T	PUPILLA B	LAMP1LED	LAMP2LED	IRI.LAMP
BULL624ESA	•		•	•	•	•	•	•	•	•	•	•
BULL624TURBO	•		•	•	•	•	•	•	•	•	•	•

NEED PRE OR POST SALES TECHNICAL SUPPORT? OUR FRIENDLY TEAM ARE HERE TO HELP

Call us on 0113 201 6677 or email Info@rollingcenter.co.uk



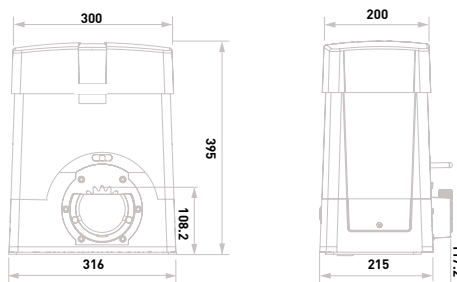
BENINCA KBULL1224 TURBO KIT

- 1 x BULL1224T Operator
- 1 x CP.B24TURBO Built-in control panel
- 2 x TO.G02VA 2 Channel transmitters
- 1 x Pair of PUPILLA Photocells
- 1 x AWO Aerial



BENINCA KBULL 1224 TURBO- 24v sliding gate automation up to 1200kg

KBULL1224T	Turbo - electromechanical limits - built-in encoder & receiver - 24vdc - gates up to 1200kg
SPARES & ACCESSORIES	
BULL1224T	Motor - turbo - electromechanical limits - built-in encoder & receiver - 24vdc - gates up to 1200kg
CP.B24TURBO	Spare control unit for BULL1224TURBO motor
BULL1224.TBB	Battery back up for BULL1224TURBO



RAPID MANOEUVRES

Opening a 7m gate can take around 17 seconds with the BULL1224 TURBO.



Dimensions in: mm		BULL1224 TURBO SLIDING MOTOR UP TO 1200KG
ELECTRICAL DATA		BULL1224 TURBO
POWER SUPPLY		230VAC 50/60 HZ
MOTOR SUPPLY		24VDC
CURRENT		3A
PERFORMANCE DATA		
SPEED (M/S)		0.408 MAX
FORCE (N)		390
DUTY CYCLE		80%
DIMENSIONAL & GENERAL DATA		
PROTECTION LEVEL		IP44
WORKING TEMP (°C MIN/MAX)		-20 - +50
DIMENSIONS (MM)		395 X 316 X 215
MOTOR WEIGHT (KG)		17.3

COMELIT GSM1-K GSM INTERCOM WITH KEYPAD

Turn to page **134**

COMPATIBILITY TABLE WITH CONTROL SYSTEMS AND ACCESSORIES:

Code	RECEIVER	TRANSMITTER	PHOTOCELLS	LIGHT
	Built-in*	TO.G0 VA TO.G0 AK	IRI TX VA IRI TX AK	PUPILLA PUPILLA T PUPILLA B LAMPLED LAMP24LED IRI.LAMP
BULL1224TURBO	•	•	•	•



ROLLING CENTER
47 & 47/A2
 GALVANISED STEEL
 MOD 4 GEAR RACK

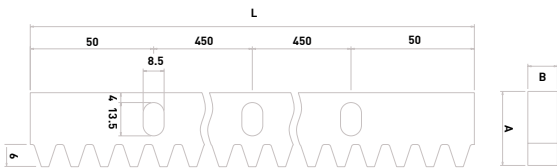


STEEL MOD 4 GEAR RACK- 1 & 2m lengths

47	Galvanised - 1 metre - mod 4 - gear rack
47/A2	Galvanised - 2 metre - mod 4 - gear rack

SPARES & ACCESSORIES

48	Weld type staves for gear rack
49	Screw type staves for gear rack



Dimensions in: mm

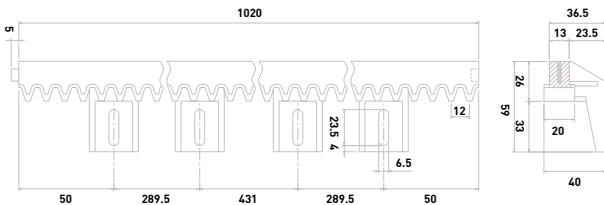
REFERENCE	FINISH	A	B	L	MOD	WEIGHT
47	GALVANISED	30	12	1005	4	2.4 KG
47/A2	GALVANISED	30	12	2010	4	4.7 KG



ROLLING CENTER
63/4
 MOD 4 NYLON GEAR RACK
 WITH STEEL CORE

NYLON MOD 4 GEAR RACK WITH STEEL CORE - 1m lengths

63/4	Nylon with steel core - 1 metre - mod 4 - gear rack
------	---



22 X 22 X 2000MM
STEEL GEAR RACK
ALSO AVAILABLE

Speak with our sales team for more information on 0113 201 6677 or email Info@rollingcenter.co.uk



NICE LFAB4024HS-DKIT

- 2 x LFAB4024H/S Operator
- 2 x LFABBOX4 Foundation box
- 1 x MC824H Control Panel
- 2 x ON2E 2 Channel transmitters
- 1 x Pair of EPMB Photocells
- 2 x BMA3 Manual release
- 1 x OXIBD 4 Channel bi-directional receiver



NICE LFAB4024HS-SKIT

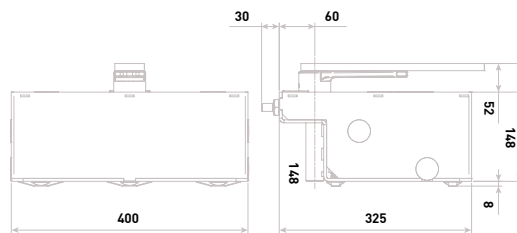
- 1 x LFAB4024H/S Operator
- 1 x LFABBOX4 Foundation box
- 1 x MC824H Control Panel
- 2 x ON2E 2 Channel transmitters
- 1 x Pair of EPMB Photocells
- 1 x BMA3 Manual release
- 1 x OXIBD 4 Channel bi-directional receiver



NICE LFABHS KITS - 24v High speed underground gate automation

LFAB4024HS-DKIT	2 leaf - irreversible - magnetic encoder - mechanical limits - 24vdc - gates up to 4m or 400kg
LFAB4024HS-SKIT	1 leaf - irreversible - magnetic encoder - mechanical limits - 24vdc - gates up to 4m or 400kg
SPARES & ACCESSORIES	
LFAB4024HS	Motor - irreversible - magnetic encoder - electromechanical limits - 24vdc - gates up to 4m or 400kg
LFABBOX4	Foundation box for L-FAB motors
BMA3	Manual release system
BMA1	360° chain kit to use with BMA3
MC824H	Control unit and housing for 24v kits
PS324	24vdc battery backup with integrated charger
O-VIEW	Programming & diagnostic unit with BUS T4 connection

TECHNICAL INFO:



IDEAL FOR INTENSIVE USE & QUICK MANOEUVRES
90° opening in around 6 seconds.

Dimensions in: mm		LFAB UNDERGROUND MOTOR 400KG UP TO 4M
ELECTRICAL DATA		BM4024H/S
POWER SUPPLY		230VAC 50/60 HZ
MOTOR SUPPLY		24VDC
CURRENT		7A
PERFORMANCE DATA		
SPEED (RPM)		3
TORQUE (NM)		200
WORK CYCLE (CYCLES PER HOUR)		50**
DIMENSIONAL & GENERAL DATA		
PROTECTION LEVEL		IP67
WORKING TEMP (°C MIN/MAX)		-20 - +55
DIMENSIONS FOUNDATION BOX (MM)		400 X 325 X 148
MOTOR / FOUNDATION BOX WEIGHT (KG)		14.5 / 16

**The indicated value has to be halved if the opening is up to 180° - by using the BMA1 accessory.

COMPATIBILITY TABLE WITH CONTROL SYSTEMS AND ACCESSORIES:

Code	CP / RECEIVER		TRANSMITTERS							PHOTOCELLS							LIGHT							
	MC200 / Built-in*	MC424 / Built-in* / OXI / OXIBD / OXILR	MC824H / OXI / OXIBD / OXILR	MC824HR / OXI / OXIBD / OXILR	ERA INTI	ERA ONE	ERA ONE BD	ERA ONE LR	ERA FLOR	NICEWAY	EPS	EPM	EPL	EPFB	EPMB	EPLB	EPMDW	F210	F210B	F2108	F2108B	ELAC	ELDC	WLT
BM4024H/S			•		•	•	•	•	•					•	•	•	•						•	•

ROLLING CENTER CAVO FALL PROTECTION CABLES

Turn to page 70



NICE MFABHS KITS - 24v High speed underground gate automation

MFAB3024HS-DKIT	2 leaf - irreversible - magnetic encoder - with link arm and stop - 24vdc - gates up to 3m or 300kg
MFAB3024HS-SKIT	1 leaf - irreversible - magnetic encoder - with link arm and stop - 24vdc - gates up to 3m or 300kg
SPARES & ACCESSORIES	
MFAB3024HS	Motor - irreversible - magnetic encoder - with link arm and stop - 24vdc - gates up to 3m or 300kg
MFABBOX	Foundation box for M-FAB motors
MEA3	Manual release system
MEA1	Metro 360 degree chain kit
MC824H	Control unit and housing for 24v kits
PS324	24vdc battery backup with integrated charger
BIDI-WIFI	Plug-in programming & diagnostic unit with BUS T4 connection

NICE MFAB3024HS-DKIT

- 2 x MFAB3024HS Operator
- 1 x MFABBOX Foundation box
- 1 x MC824H Control Panel
- 2 x ON2E 2 Channel transmitters
- 1 x Pair of EPMB Photocells
- 2 x MEA3 Manual release
- 1 x OXIBD 4 Channel bi-directional receiver



NICE MFAB3024HS-SKIT

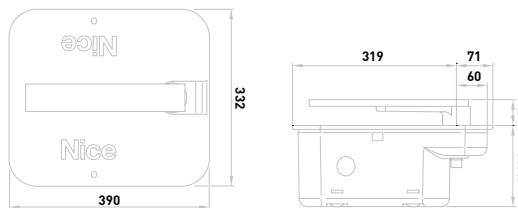
- 1 x MFAB3024HS Operator
- 1 x MFABBOX Foundation box
- 1 x MC824H Control Panel
- 2 x ON2E 2 Channel transmitters
- 1 x Pair of EPMB Photocells
- 1 x MEA3 Manual release
- 1 x OXIBD 4 Channel bi-directional receiver

TECHNICAL INFO:



IDEAL FOR INTENSIVE USE & QUICK MANOEUVRES

90° opening in around 8 seconds with the MFAB3024HS.



Dimensions in: mm		MFAB UNDERGROUND MOTOR 300KG UP TO 3M
ELECTRICAL DATA		MFAB3024HS
POWER SUPPLY		230VAC 50/60 HZ
MOTOR SUPPLY		24VDC
CURRENT		6A
PERFORMANCE DATA		
SPEED (RPM)		2.6
TORQUE (NM)		180
WORK CYCLE (CYCLES PER HOUR)		80
DIMENSIONAL & GENERAL DATA		
PROTECTION LEVEL		IP67
WORKING TEMP (°C MIN/MAX)		-20 - +50
DIMENSIONS FOUNDATION BOX (MM)		390 X 322 X 147.5
MOTOR / FOUNDATION BOX WEIGHT (KG)		11 / 13

COMPATIBILITY TABLE WITH CONTROL SYSTEMS AND ACCESSORIES:

Code	CP / RECEIVER		TRANSMITTERS							PHOTOCELLS					LIGHT									
	MC200 / Built-in*	MC424L / Built-in* / OX / OXIBD / OXLR	MC824H / OX / OXIBD / OXLR	MC824HR / OX / OXIBD / OXLR	ERA INTI	ERA ONE	ERA ONE BD	ERA ONE LR	ERA FLOR	NICEWAY	EPS	EPM	EPL	EPSSB	EPMB	EPLB	EPMOW	F210	F210	F210B	F210B	ELAC	ELDC	WLT
MFAB3024HS			•		•	•	•	•	•					•	•	•	•						•	•

VIDEX 4G GSM INTERCOM WITH KEYPAD

Turn to page 130



NICE MFAB3100-DKIT

- 2 x MFAB3100 Operator
- 2 x MFABBOX Foundation box
- 1 x MC800 Control Panel
- 2 x ON2E 2 Channel transmitters
- 1 x Pair of EPMB Photocells
- 2 x MEA3 Manual release
- 1 x OXIBD 4 Channel bi-directional receiver



NICE MFAB3100-SKIT

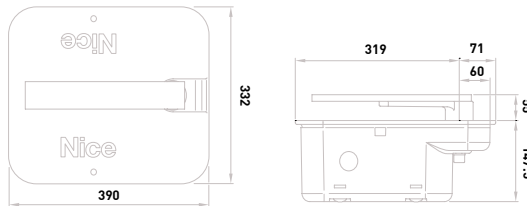
- 1 x MFAB3100 Operator
- 1 x MFABBOX Foundation box
- 1 x MC800 Control Panel
- 2 x ON2E 2 Channel transmitters
- 1 x Pair of EPMB Photocells
- 1 x MEA3 Manual release
- 1 x OXIBD 4 Channel bi-directional receiver



NICE MFAB KITS - 230v underground gate automation

MFAB3100-DKIT	2 leaf - irreversible - magnetic encoder - with link arm and stop - 230v - gates up to 3m or 600kg
MFAB3100-SKIT	1 leaf - irreversible - magnetic encoder - with link arm and stop - 230v - gates up to 3m or 600kg
SPARES & ACCESSORIES	
MFAB3100	Motor - irreversible - magnetic encoder - with link arm and stop - 230v - gates up to 3m or 600kg
MFABBOX	Foundation box for M-FAB motors
MEA3	Manual release system
MEA1	Metro 360 degree chain kit
MC800	Control unit and housing for 230v kits
O-VIEW	Programming & diagnostic unit with BUS T4 connection

TECHNICAL INFO:



Dimensions in: mm

MFAB UNDERGROUND MOTOR 600KG UP TO 3M

ELECTRICAL DATA		MFAB3100
POWER SUPPLY		230VAC 50* HZ
MOTOR SUPPLY		-
CURRENT		1.2A
PERFORMANCE DATA		
SPEED (RPM)		1.14
TORQUE (NM)		300
WORK CYCLE (CYCLES PER HOUR)**		30
DIMENSIONAL & GENERAL DATA		
PROTECTION LEVEL		IP67
WORKING TEMP (°C MIN/MAX)		-20 - +50
DIMENSIONS FOUNDATION BOX WEIGHT (MM)		390 X 322 X 147.5
MOTOR / FOUNDATION BOX WEIGHT (KG)		11 / 13

*60Hz version available on request. **The indicated value has to be halved if the opening is up to 180°.

COMPATIBILITY TABLE WITH CONTROL SYSTEMS AND ACCESSORIES:

	CP / RECEIVER	TRANSMITTERS	PHOTOCELLS	LIGHT
Code	MC800 / Built-in* MC800 / OX1 / OX1R MC824H / OX1 / OX1R MC824HR / OX1 / OX1R ERA INTI ERA ONE ERA ONE BD ERA ONE LR ERA FLOR NICEWAY EP'S EPMI EPL EFSB EPMB EPLB EPNOW F210 FT210 F210B FT210B ELAC ELDC WLT			
MFAB3100				

NEED MORE INFORMATION ON GATE AUTOMATION?

Call our friendly sales team on **0113 201 6677** or email **Info@rollingcenter.co.uk**



NICE MFAB3124-DKIT

- 2 x MFAB3124 Operator
- 2 x MFABBOX Foundation box
- 1 x MC824H Control Panel
- 2 x ON2E 2 Channel transmitters
- 2 x MEA3 Manual release
- 1 x Pair of EPMB Photocells
- 1 x OXIBD 4 Channel bi-directional receiver



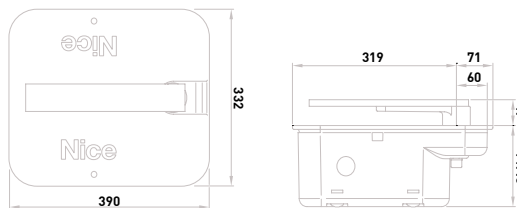
NICE MFAB3124-SKIT

- 1 x MFAB3124 Operator
- 1 x MFABBOX Foundation box
- 1 x MC824H Control Panel
- 2 x ON2E 2 Channel transmitters
- 1 x Pair of EPMB Photocells
- 1 x MEA3 Manual release
- 1 x OXIBD 4 Channel bi-directional receiver

NICE MFAB KITS - 24v underground gate automation

MFAB3124-DKIT	2 leaf - irreversible - magnetic encoder - with link arm and stop - 24vdc - gates up to 3m or 600kg
MFAB3124-SKIT	1 leaf - irreversible - magnetic encoder - with link arm and stop - 24vdc - gates up to 3m or 600kg
SPARES & ACCESSORIES	
MFAB3124	Motor - irreversible - magnetic encoder - with link arm and stop - 24vdc - gates up to 3m or 600kg
MFABBOX4	Foundation box for M-FAB motors
MEA3	Manual release system
MEA1	Metro 360 degree chain kit
MC824H	Control unit and housing for 24v kits
PS324	24vdc battery backup with integrated charger
BIDI-WIFI	Plug-in programming & diagnostic unit with BUS T4 connection

TECHNICAL INFO:



ELECTRICAL DATA		MFAB3124
POWER SUPPLY		230VAC 50/60 HZ
MOTOR SUPPLY		24VDC
CURRENT		5A
PERFORMANCE DATA		
SPEED (RPM)		1.4
TORQUE (NM)		250
WORK CYCLE (CYCLES PER HOUR)**		76
DIMENSIONAL & GENERAL DATA		
PROTECTION LEVEL		IP67
WORKING TEMP (°C MIN/MAX)		-20 - +50
DIMENSIONS FOUNDATION BOX (MM)		390 X 322 X 147.5
MOTOR / FOUNDATION BOX WEIGHT (KG)		11 / 13

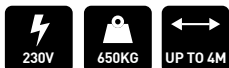
**The indicated value has to be halved if the opening is up to 180°.

COMPATIBILITY TABLE WITH CONTROL SYSTEMS AND ACCESSORIES:

Code	CP / RECEIVER		TRANSMITTERS							PHOTOCELLS							LIGHT		
	MC200 / Built-in*	OXIBD / OXILR	ERA INTI	ERA ONE	ERA ONE BD	ERA ONE LR	ERA FLOR	NICEWAY	EPMB	EPL	EPMB	EPLB	EPMOV	F210	F210B	F210B	ELAC	ELDC	WLT
MFAB3124																			

FOR SWING GATE HINGES

See page 180 for details



NICE LFAB4000-DKIT

- 2 x LFAB4000 Operator
- 2 x LFABBOX4 Foundation box
- 1 x MC800 Control Panel
- 2 x ON2E 2 Channel transmitters
- 1 x Pair of EPMB Photocells
- 2 x BMA3 Manual release
- 1 x OXIBD 4 Channel bi-directional receiver



NICE LFAB4000-SKIT

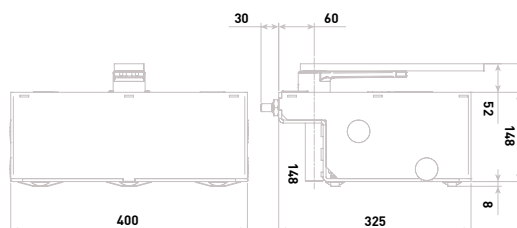
- 1 x LFAB4000 Operator
- 1 x LFABBOX4 Foundation box
- 1 x MC800 Control Panel
- 2 x ON2E 2 Channel transmitters
- 1 x Pair of EPMB Photocells
- 1 x BMA3 Manual release
- 1 x OXIBD 4 Channel bi-directional receiver



NICE LFAB KITS - 230v Underground gate automation

LFAB4000-DKIT	2 leaf - irreversible - magnetic encoder - mechanical stop on closing - 230v - gates up to 4m or 650kg
LFAB4000-SKIT	1 leaf - irreversible - magnetic encoder - mechanical stop on closing - 230v - gates up to 4m or 650kg
SPARES & ACCESSORIES	
LFAB4000	Motor - irreversible - magnetic encoder - mechanical stop on closing - 230v - gates up to 4m or 650kg
LFABBOX4	Foundation box for L-FAB motors
BMA3	Manual release system
BMA1	360 degree chain kit to use with BMA3
MC800	Control unit and housing for 230v kits
O-VIEW	Programming & diagnostic unit with BUS T4 connection

TECHNICAL INFO:



Dimensions in: mm		LFAB UNDERGROUND MOTOR 650KG UP TO 4M
ELECTRICAL DATA		LFAB4000
POWER SUPPLY		230VAC 50/60 HZ
MOTOR SUPPLY		-
CURRENT		1.5A
PERFORMANCE DATA		
SPEED (RPM)		0.8
TORQUE (NM)		500
WORK CYCLE (CYCLES PER HOUR)**		20
DIMENSIONAL & GENERAL DATA		
PROTECTION LEVEL		IP67
WORKING TEMP (°C MIN/MAX)		-20 - +50
DIMENSIONS FOUNDATION BOX (MM)		400 X 325 X 148
MOTOR / FOUNDATION BOX WEIGHT (KG)		14.5 / 16

**The indicated value has to be halved if the opening is up to 180° - by using the BMA1 accessory.

COMPATIBILITY TABLE WITH CONTROL SYSTEMS AND ACCESSORIES:

Code	CP / RECEIVER	TRANSMITTERS	PHOTOCELLS	LIGHT
	LFAB4000	MC200 / Built-in* MC800 / OX1 / OX1BD / OX1LR MC824H / OX1 / OX1BD / OX1LR MC824HR / OX1 / OX1BD / OX1LR ERA INTI ERA ONE ERA ONE BD ERA ONE LR ERA FLOR NICEWAY EPS EPM EPL EPSB EPMB EPLB EPMDW F210 FT210 F210B FT210B ELAC ELDC WLT		

ROLLING CENTER WHATSAPP TECHNICAL?

Scan the QR code for instant help

Rolling Center Tech Support



NICE LFAB4024-DKIT

- 2 x LFAB4024 Operator
- 2 x LFABBOX4 Foundation box
- 1 x MC824H Control Panel
- 2 x ON2E 2 Channel transmitters
- 1 x Pair of EPMB Photocells
- 2 x BMA3 Manual release
- 1 x OXIBD 4 Channel bi-directional receiver



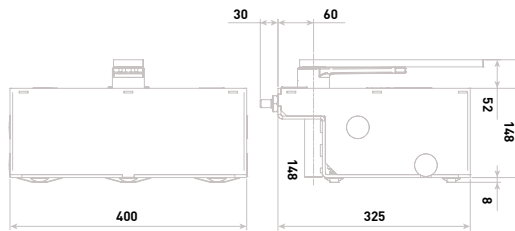
NICE LFAB4024-SKIT

- 1 x LFAB4024 Operator
- 1 x LFABBOX4 Foundation box
- 1 x MC824H Control Panel
- 2 x ON2E 2 Channel transmitters
- 1 x Pair of EPMB Photocells
- 1 x BMA3 Manual release
- 1 x OXIBD 4 Channel bi-directional receiver

NICE LFAB KITS - 24v Underground gate automation

LFAB4024-DKIT	2 leaf - irreversible - magnetic encoder - mechanical stop on closing - 24vdc - gates up to 4m or 650kg
LFAB4024-SKIT	1 leaf - irreversible - magnetic encoder - mechanical stop on closing - 24vdc - gates up to 4m or 650kg
SPARES & ACCESSORIES	
LFAB4024	Motor - irreversible - magnetic encoder - mechanical stop on closing - 24vdc - gates up to 4m or 650kg
LFABBOX4	Foundation box for L-FAB motors
BMA3	Manual release system
BMA1	360 degree chain kit to use with BMA3
MC824H	Control unit and housing for 24v kits
PS324	24vdc battery backup with integrated charger
BIDI-WIFI	Plug-in programming & diagnostic unit with BUS T4 connection

TECHNICAL INFO:



Dimensions in: mm		LFAB UNDERGROUND MOTOR 650KG UP TO 4M
ELECTRICAL DATA		LFAB4024
POWER SUPPLY		230VAC 50/60 HZ
MOTOR SUPPLY		24VDC
CURRENT		5A
PERFORMANCE DATA		
SPEED (RPM)		1
TORQUE (NM)		300
WORK CYCLE (CYCLES PER HOUR)**		60
DIMENSIONAL & GENERAL DATA		
PROTECTION LEVEL		IP67
WORKING TEMP (°C MIN/MAX)		-20 - +50
DIMENSIONS FOUNDATION BOX (MM)		400 X 325 X 148
MOTOR / FOUNDATION BOX WEIGHT (KG)		12.5 / 16

**The indicated value has to be halved if the opening is up to 180° - by using the BMA1 accessory.

COMPATIBILITY TABLE WITH CONTROL SYSTEMS AND ACCESSORIES:

Code	CP / RECEIVER		TRANSMITTERS							PHOTOCELLS							LIGHT									
	MC200 / Built-in*	OXIBD / OXILR	MC824H / OXILR	OXIBD / OXILR	MC824HR / OXILR	OXIBD / OXILR	ERA INTI	ERA ONE	ERA ONE BD	ERA ONE LR	ERA FLOR	NICEWAY	EPS	EPM	EPL	EPSSB	EPMB	EPLB	EPLOW	F210	F210	F210B	F210B	ELAC	ELDC	WLT
LFAB4024			•			•	•	•	•	•	•				•	•	•	•						•	•	

ROLLING CENTER
F105 CENTRE
GATE STOP

Turn to page 134



**NICE
BFAB5024-DKIT**

- 2 x BFAB5024 Operator
- 2 x BFABBOX Foundation box
- 1 x MC824H Control Panel
- 2 x ON2E 2 Channel transmitters
- 1 x Pair of EPMB Photocells
- 2 x BMA3 Manual release
- 1 x OXIBD 4 Channel bi-directional receiver



**NICE
BFAB5024-SKIT**

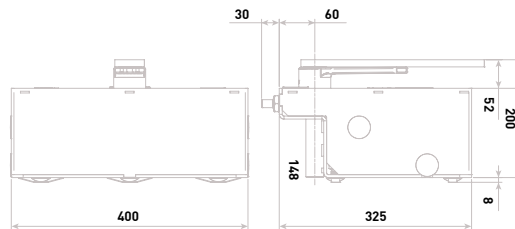
- 1 x BFAB5024 Operator
- 1 x BFABBOX Foundation box
- 1 x MC824H Control Panel
- 2 x ON2E 2 Channel transmitters
- 1 x Pair of EPMB Photocells
- 1 x BMA3 Manual release
- 1 x OXIBD 4 Channel bi-directional receiver



NICE BFAB KITS - 24v Heavy duty underground gate automation

BFAB5024-DKIT	2 leaf - irreversible - magnetic encoder - mechanical stop on closing - 24vdc - gates up to 5m or 900kg
BFAB5024-SKIT	1 leaf - irreversible - magnetic encoder - mechanical stop on closing - 24vdc - gates up to 5m or 900kg
SPARES & ACCESSORIES	
BFAB5024	Motor unit - irreversible - magnetic encoder - electromechanical limits - 24vdc - gates up to 5m or 900kg
BFABBOX	Foundation box for B-FAB motors
BMA3	Manual release system
BMA1	360 degree chain kit to use with BMA3
MC824H	Control unit and housing for 24v kits
PS324	24vdc battery backup with integrated charger
O-VIEW	Programming & diagnostic unit with BUS T4 connection

TECHNICAL INFO:



Dimensions in: mm		BFAB UNDERGROUND MOTOR 900KG UP TO 5M
ELECTRICAL DATA		BFAB5024
POWER SUPPLY		230VAC 50/60 HZ
MOTOR SUPPLY		24VDC
CURRENT		7A
PERFORMANCE DATA		
SPEED (RPM)		0.8
TORQUE (NM)		400
WORK CYCLE (CYCLES PER HOUR)**		45
DIMENSIONAL & GENERAL DATA		
PROTECTION LEVEL		IP67
WORKING TEMP (°C MIN/MAX)		-20 - +50
DIMENSIONS FOUNDATION BOX (MM)*		400 X 325 X 148
MOTOR / FOUNDATION BOX WEIGHT (KG)		15 / 22

* With foundation box **The indicated value has to be halved if the opening is up to 180° - by using the BMA1 accessory.

COMPATIBILITY TABLE WITH CONTROL SYSTEMS AND ACCESSORIES:

	CP / RECEIVER	TRANSMITTERS	PHOTOCELLS	LIGHT
Code	MC200 / Built-in* MC800 / OXI / OXIBD / OXILR MC824H / OXI / OXIBD / OXILR MC824HR / OXI / OXIBD / OXILR • ERA INTI • ERA ONE • ERA ONE BD • ERA ONE LR • ERA FLOR • NICEWAY	EPS EPM EPL EFSB • EPMB • EPLB • EPMOW	F210 FT210 F210B FT210B	ELAC • ELDC • WLT
BFAB5024				

INTERESTED IN AN ALUMINIUM GATE? TAKE A LOOK AT OUR FULL RANGE OF MADE TO MEASURE ALUMINIUM GATES

See page **235** for details



A large area of the page is filled with horizontal dashed lines, providing a template for handwritten notes.



BENINCA KDU.IT14NVE KIT

- 2 x **DU.IT14NVE** Operator
- 2 x **DU.CZS** Foundation box
- 2 x **SB.DUITL** Fixing kit
- 2 x **DU.ITST** Mechanical stop
- 1 x **BRAINY** Control Panel
- 2 x **TO.GO2VA** 2 Channel transmitters
- 1 x Pair of **PUPILLA** Photocells
- 1 x **AWO** Aerial



BENINCA KSDU.IT14NVE KIT

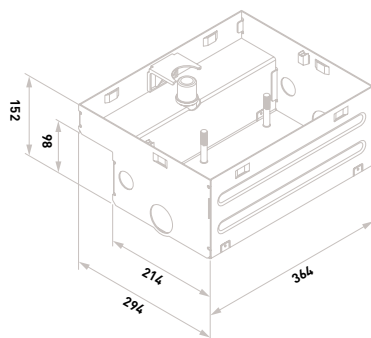
- 1 x **DU.IT14NVE** Operator
- 1 x **DU.CZS** Foundation box
- 1 x **SB.DUITL** Fixing kit
- 1 x **DU.ITST** Mechanical stop
- 1 x **BRAINY** Control Panel
- 2 x **TO.GO2VA** 2 Channel transmitters
- 1 x Pair of **PUPILLA** Photocells
- 1 x **AWO** Aerial



BENINCA DU.IT14NVE KITS - 230v Underground gate automation

KDU.IT14NVE KIT	2 leaf - irreversible - with encoder - mechanical stop on closing - 230v - gates up to 2.1m or 200kg
KSDU.IT14NVE KIT	1 leaf - irreversible - with encoder - mechanical stop on closing - 230v - gates up to 2.1m or 200kg
SPARES & ACCESSORIES	
DU.IT14NVE	Motor unit - irreversible - with encoder - electromechanical geared - 230v - gates up to 2.1m or 200kg
BRAINY	230v control panel and housing
DU.CZS	Foundation box for DU.IT underground motors
SB.DU.ITL	Fixing kit inc: manual release, hex key, shoe and mechanical stop
DU.ITST	Adjustable mechanical stop

TECHNICAL INFO:



Dimensions in: mm		DU.IT14NVE UNDERGROUND MOTOR UP TO 2.1M
ELECTRICAL DATA		DU.IT14NVE
POWER SUPPLY		230VAC 50/60 HZ
MOTOR SUPPLY		-
CURRENT		1.6A
PERFORMANCE DATA		
TORQUE (NM)		220
DUTY CYCLE		40%
DIMENSIONAL & GENERAL DATA		
PROTECTION LEVEL		IP67
WORKING TEMP (°C MIN/MAX)		-20 - +50
MOTOR / FOUNDATION BOX WEIGHT (KG)		11.2 / 9.6

HIK IP INTERCOM KIT WITH 7 INCH MONITOR

Turn to page !!!

COMPATIBILITY TABLE WITH CONTROL SYSTEMS AND ACCESSORIES:

Code	RECEIVER		TRANSMITTER		PHOTOCELLS			LIGHT				
	Built-in*		TO.GO VA	TO.GO AK	IRI TX VA	IRI TX AK	PUPILLA	PUPILLA T	PUPILLA B	LAMP/LED	LAMP/24LED	IRI LAMP
DU.IT14NVE	•		•	•	•	•	•	•	•	•	•	•



BENINCA DU.IT24NVE KITS - 24v Underground gate kit

KDU.IT24NVE KIT	2 leaf - irreversible - with encoder - mechanical stop on closing - 24vdc - gates up to 3.5m or 300kg
KSDU.IT24NVE KIT	1 leaf - irreversible - with encoder - mechanical stop on closing - 24vdc - gates up to 3.5m or 300kg
SPARES & ACCESSORIES	
DU.IT24NVE	Motor unit - irreversible - with encoder - electromechanical geared - 24vdc - gates up to 3.5m or 300kg
BRAINY24	24v control panel and housing
DU.CZS	Foundation box for DU.IT underground motors
SB.DU.ITL	Fixing kit inc: manual release, hex key, shoe and mechanical stop
DU.ITST	Adjustable mechanical stop

**BENINCA
KDU.IT24NVE KIT**

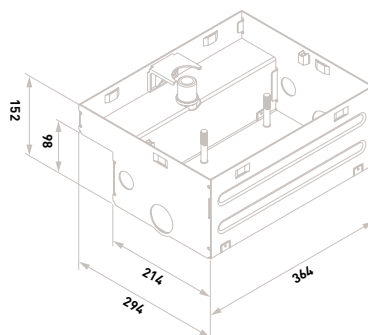
- 2 x **DU.IT24NVE** Operator
- 2 x **DU.CZS** Foundation box
- 2 x **SB.DUITL** Fixing kit
- 2 x **DU.ITST** Mechanical stop
- 1 x **BRAINY24** Control Panel
- 2 x **TO.GO2VA** 2 Channel transmitters
- 1 x **Pair of PUPILLA** Photocells
- 1 x **AWO** Aerial



**BENINCA
KSDU.IT24NVE KIT**

- 1 x **DU.IT24NVE** Operator
- 1 x **DU.CZS** Foundation box
- 1 x **SB.DUITL** Fixing kit
- 1 x **DU.ITST** Mechanical stop
- 1 x **BRAINY24** Control Panel
- 2 x **TO.GO2VA** 2 Channel transmitters
- 1 x **Pair of PUPILLA** Photocells
- 1 x **AWO** Aerial

TECHNICAL INFO:



DU.IT24NVE UNDERGROUND MOTOR UP TO 3.5M	
ELECTRICAL DATA	
POWER SUPPLY	230VAC 50/60 HZ
MOTOR SUPPLY	24VDC
CURRENT	11A
PERFORMANCE DATA	
TORQUE (NM)	280
DUTY CYCLE	INTENSIVE USE
DIMENSIONAL & GENERAL DATA	
PROTECTION LEVEL	IP67
WORKING TEMP (°C MIN/MAX)	-20 - +50
MOTOR / FOUNDATION BOX WEIGHT (KG)	10 / 9.6

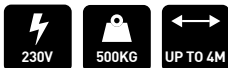
* Available in 115VAC version

COMPATIBILITY TABLE WITH CONTROL SYSTEMS AND ACCESSORIES:

Code	RECEIVER		TRANSMITTER		PHOTOCELLS			LIGHT			
	Built-in*		TO.GO VA	TO.AK	IRI.TX VA	IRI.TX AK	PUPILLA	PUPILLA T	PUPILLA B	LAMP/LED	IRI.LAMP
DU.IT24NVE	•		•	•	•	•	•	•	•	•	•

**LOOKING FOR
SWING GATE
HARDWARE
EQUIPMENT?**

Visit
www.rollingcenter.co.uk
or call 0113 201 6677 for
more information.



BENINCA KDU.350NGE KIT

- 2 x **DU.350NGE** Operator
- 2 x **DU.350CF** Foundation box
- 2 x **SB.DU350L** Fixing kit
- 2 x **DU.350ST** Mechanical stop
- 1 x **BRAINY** Control Panel
- 2 x **TO.G02VA** 2 Channel transmitters
- 1 x Pair of **PUPILLA** Photocells
- 1 x **AWO** Aerial



BENINCA KSDU.350NGE KIT

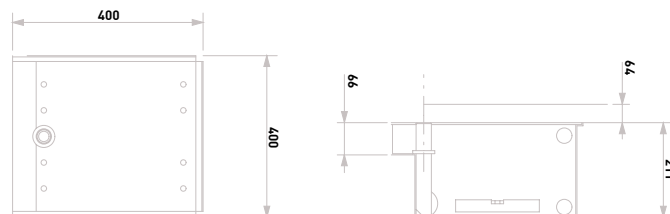
- 1 x **DU.350NGE** Operator
- 1 x **DU.350CF** Foundation box
- 1 x **SB.DU350L** Fixing kit
- 1 x **DU.350ST** Mechanical stop
- 1 x **BRAINY** Control Panel
- 2 x **TO.G02VA** 2 Channel transmitters
- 1 x Pair of **PUPILLA** Photocells
- 1 x **AWO** Aerial



BENINCA DU.350NGE KITS - 230v Underground gate automation

KDU.350NGE KIT	2 leaf - irreversible - with encoder - mechanical stop on closing - 230v - gates up to 4m or 500kg
KSDU.350NGE KIT	1 leaf - irreversible - with encoder - mechanical stop on closing - 230v - gates up to 4m or 500kg
SPARES & ACCESSORIES	
DU.350NGE	Motor unit - irreversible - with encoder - electromechanical geared - 230v - gates up to 4m or 500kg
BRAINY	230v control panel and housing
DU.350CF	Foundation box for DU underground motors
SB.DU350L	Fixing kit inc: manual release, hex key, shoe and mechanical stop
DU.350ST	Adjustable mechanical stop

TECHNICAL INFO:



Dimensions in: mm		DU.350NGE UNDERGROUND MOTOR UP TO 4M
ELECTRICAL DATA		DU.350NGE
POWER SUPPLY		230VAC 50/60 HZ
MOTOR SUPPLY		-
CURRENT		1.7A
PERFORMANCE DATA		
TORQUE (NM)		450
DUTY CYCLE		INTENSIVE USE
DIMENSIONAL & GENERAL DATA		
PROTECTION LEVEL		IP67
WORKING TEMP (°C MIN/MAX)		-20 - +50
MOTOR / FOUNDATION BOX WEIGHT (KG)		20.4 / 14.3

COMPATIBILITY TABLE WITH CONTROL SYSTEMS AND ACCESSORIES:

	RECEIVER	TRANSMITTER	PHOTOCELLS	LIGHT
Code	Built-in*	TO.G0 VA TO.G0 AK IRI TX VA IRI TX AK	PUPILLA PUPILLA T PUPILLA B	LAMPLED LAMP2LED IRILAMP
DU.350NGE	•	• • • •	• • •	• • •

**CLICK & COLLECT
START SAVING
TODAY**

- REGISTER ONLINE
- PLACE AN ORDER
- COLLECT

Visit www.rollingcenter.co.uk



BENINCA DU.350NVE KITS - 230v Underground gate automation

KDU.350NVE KIT	2 Leaf - irreversible - with encoder - mechanical stop on closing - 230v - gates up to 3m or 500kg
KSDU.350NVE KIT	1 Leaf - irreversible - with encoder - mechanical stop on closing - 230v - gates up to 3m or 500kg
SPARES & ACCESSORIES	
DU.350NVE	Motor unit - irreversible - with encoder - electromechanical geared - 230v - gates up to 3m or 500kg
BRAINY	230v control panel and housing
DU.350CF	Foundation box for DU underground motors
SB.DU350L	Fixing kit inc: manual release, hex key, shoe and mechanical stop
DU.350ST	Adjustable mechanical stop

BENINCA KDU.350NVE KIT

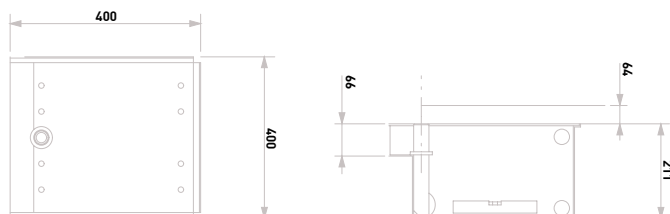
- 2 x **DU.350NVE** Operator
- 2 x **DU.350CF** Foundation box
- 2 x **SB.DU350L** Fixing kit
- 2 x **DU.350ST** Mechanical stop
- 1 x **BRAINY** Control Panel
- 2 x **TO.G02VA** 2 Channel transmitters
- 1 x Pair of **PUPILLA** Photocells
- 1 x **AWO** Aerial



BENINCA KSDU.350NVE KIT

- 1 x **DU.350NVE** Operator
- 1 x **DU.350CF** Foundation box
- 1 x **SB.DU350L** Fixing kit
- 1 x **DU.350ST** Mechanical stop
- 1 x **BRAINY** Control Panel
- 2 x **TO.G02VA** 2 Channel transmitters
- 1 x Pair of **PUPILLA** Photocells
- 1 x **AWO** Aerial

TECHNICAL INFO:



DU.350NVE UNDERGROUND MOTOR UP TO 3M	
ELECTRICAL DATA	DU.350NVE
POWER SUPPLY	230VAC 50/60 HZ
MOTOR SUPPLY	-
CURRENT	1.7A
PERFORMANCE DATA	
TORQUE (NM)	370
DUTY CYCLE	INTENSIVE USE
DIMENSIONAL & GENERAL DATA	
PROTECTION LEVEL	IP67
WORKING TEMP (°C MIN/MAX)	-20 - +50
MOTOR / FOUNDATION BOX WEIGHT (KG)	20.2 / 14.3

COMPATIBILITY TABLE WITH CONTROL SYSTEMS AND ACCESSORIES:

	RECEIVER	TRANSMITTER	PHOTOCELLS	LIGHT
Code	Built-in*	TO.G0 VA TO.G0 AK	IRI TX VA IRI TX AK	PUPILLA PUPILLA T PUPILLA B LAMP1LED LAMP2LED IRI.LAMP
DU.350NVE	•	• •	• •	• • • • •

PROCON MAGNETIC PROBE LOOP DETECTOR

Turn to page **97**



NICE TITAN3274HS KIT1

- 2 x TITAN3724 HIGH SPEED Operator
- 1 x MC824H Control Panel
- 2 x ON2E 2 Channel transmitters
- 1 x Pair of EPMB Photocells
- 1 x OXIBD 4 Channel bi-directional receiver



NICE TITAN3274HS KIT2

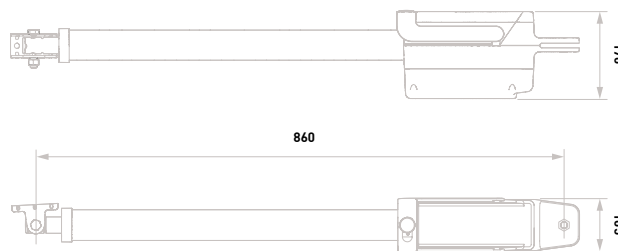
- 1 x TITAN3724 HIGH SPEED Operator
- 1 x MC824H Control Panel
- 2 x ON2E 2 Channel transmitters
- 1 x Pair of EPMB Photocells
- 1 x OXIBD 4 Channel bi-directional receiver



NICE TITAN3274HS KITS - 24v Above ground gate automation

TITAN3274HS KIT1	2 leaf - Irreversible - magnetic encoder - high speed - gates up to 3.7m or 450kg
TITAN3274HS KIT2	1 leaf - Irreversible - magnetic encoder - high speed - gates up to 3.7m or 450kg
SPARES & ACCESSORIES	
TTN3724HS	Operator - Irreversible - magnetic encoder - high speed - gates up to 3.7m or 450kg
PS324	24vdc battery backup with integrated charger
MC824H	Control unit and housing for 24v kits
BIDI-WIFI	Plug-in programming & diagnostic unit with BUS T4 connection

TECHNICAL INFO:



QUICK MANOEUVRES

90° opening in around 12 seconds with the TTN3724HS.



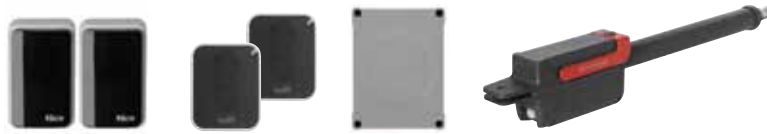
Dimensions in: mm		TITAN ABOVE GROUND OPERATOR 450KG UP TO 3.7M
ELECTRICAL DATA		TTN3724HS
POWER SUPPLY		230VAC 50/60 HZ
MOTOR SUPPLY		24VDC
CURRENT		6A
PERFORMANCE DATA		
SPEED (M/S)		0.032
FORCE (N)		1900
WORK CYCLE (CYCLES PER HOUR)		CONTINUOUS CYCLE
DIMENSIONAL & GENERAL DATA		
PROTECTION LEVEL		IP54
WORKING TEMP (°C MIN/MAX)		-20 - +55
DIMENSIONS (MM)		860 X 105 X 170
MOTOR WEIGHT (KG)		8

COMPATIBILITY TABLE WITH CONTROL SYSTEMS AND ACCESSORIES:

	CP / RECEIVER	TRANSMITTERS	PHOTOCELLS	LIGHT
Code	MC200 / Built-in* MC800 / OXI / OXIBD / OXILR MC824H / OXI / OXIBD / OXILR MC824HR / OXI / OXIBD / OXILR • ERA INTI • ERA ONE • ERA ONE BD • ERA ONE LR • ERA FLOR • NICEWAY	EPS EPM EPL EPSB EPMB EPLB EPMOW	F210 F210 F210B F210B	ELAC • ELDC • WLT
TTN3724HS				

WE STOCK THE FULL RANGE OF GATE AUTOMATION

See page 7 for details



NICE TITAN6024HS KITS - 24v Above ground gate automation

TITAN6024HS KIT1	2 Leaf - Irreversible - magnetic encoder - high speed - gates up to 6m or 450kg
TITAN6024HS KIT2	1 Leaf - Irreversible - magnetic encoder - high speed - gates up to 6m or 450kg
SPARES & ACCESSORIES	
TTN6024HS	Operator - Irreversible - magnetic encoder - high speed - gates up to 6m or 450kg
PS324	24vdc battery backup with integrated charger
MC824H	Control unit and housing for 24v kits
O-VIEW	Programming & diagnostic unit with BUS T4 connection



NICE TITAN6024HS KIT 1

- 2 x TTN6024HS Operator
- 1 x MC824H Control Panel
- 2 x ON2E 2 Channel transmitters
- 1 x Pair of EPMB Photocells
- 1 x OXIBD 4 Channel bi-directional receiver



NICE TITAN6024HS KIT 2

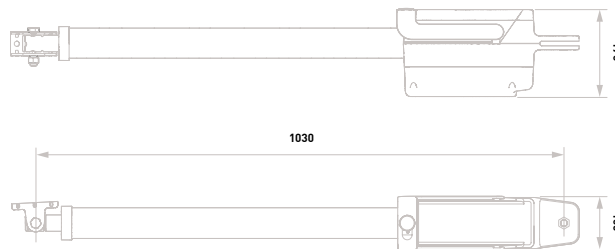
- 1 x TTN6024HS Operator
- 1 x MC824H Control Panel
- 2 x ON2E 2 Channel transmitters
- 1 x Pair of EPMB Photocells
- 1 x OXIBD 4 Channel bi-directional receiver

TECHNICAL INFO:



QUICK MANOEUVRES

90° opening in around 19 seconds with the TTN6024HS.



Dimensions in: mm

TITAN ABOVE GROUND OPERATOR 450KG UP TO 6M

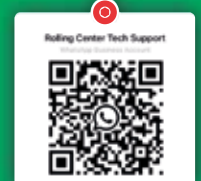
ELECTRICAL DATA		TTN6024HS
POWER SUPPLY		230VAC 50/60 HZ
MOTOR SUPPLY		24VDC
CURRENT		7A
PERFORMANCE DATA		
SPEED (M/S)		0.027
FORCE (N)		1900
WORK CYCLE (CYCLES PER HOUR)		CONTINUOUS CYCLE
DIMENSIONAL & GENERAL DATA		
PROTECTION LEVEL		IP54
WORKING TEMP (°C MIN/MAX)		-20 - +55
DIMENSIONS (MM)		1030 X 105 X 170
MOTOR WEIGHT (KG)		9

COMPATIBILITY TABLE WITH CONTROL SYSTEMS AND ACCESSORIES:

Code	CP / RECEIVER		TRANSMITTERS					PHOTOCELLS							LIGHT					
	MC200 / Built-in*	OXIBD / OXILR	ERA ONE	ERA ONE BD	ERA ONE LR	ERA FLOR	NICEWAY	EPS	EPM	EPL	EPMB	EPLB	EPMDW	F210	FT210	F210B	FT210B	ELAC	ELDC	WLT
TTN6024HS																				

ROLLING CENTER WHATSAPP TECHNICAL?

Scan the QR code for instant help





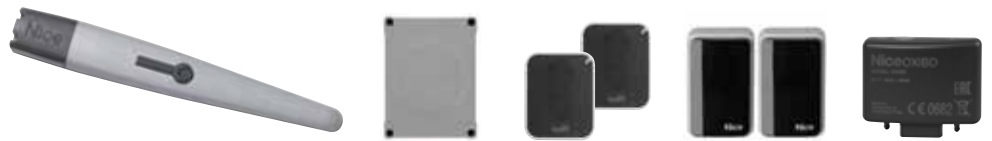
NICE TOONA KIT 1

- 2 x **TO4006** Operator
- 1 x **MC800** Control Panel
- 2 x **ON2E** 2 Channel transmitters
- 1 x **Pair of EPMB** Photocells
- 1 x **OXIBD** 4 Channel bi-directional receiver



NICE TOONA KIT 9

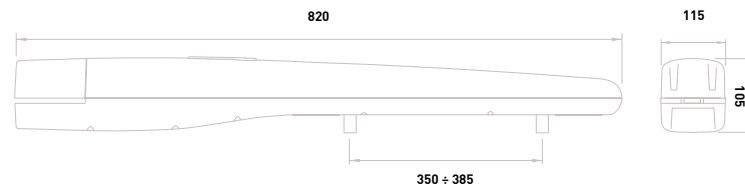
- 1 x **TO4006** Operator
- 1 x **MC800** Control Panel
- 2 x **ON2E** 2 Channel transmitters
- 1 x **Pair of EPMB** Photocells
- 1 x **OXIBD** 4 Channel bi-directional receiver



NICE TOONA KITS - 230v Above ground gate automation up to 3m

TOONA KIT1	2 leaf - Irreversible - increased speed - limit switch on opening & closing - gates up to 3m or 500kg
TOONA KIT9	1 leaf - Irreversible - increased speed - limit switch on opening & closing - gates up to 3m or 500kg
SPARES & ACCESSORIES	
TO4006	Operator - Irreversible - increased speed - limit switch on opening & closing - gates up to 3m or 500kg
MC800	Control unit and housing for 230v kits
PLA13	Mechanical travel stops for closing & opening manoeuvres
PLA14	Screw adjustable rear bracket Toona 4
PLA15	Screw adjustable front bracket Toona 4
BIDI-WIFI	Plug-in programming & diagnostic unit with BUS T4 connection

TECHNICAL INFO:



Dimensions in: mm		TOONA ABOVE GROUND OPERATOR 500KG UP TO 3M
ELECTRICAL DATA		TO4006
POWER SUPPLY		230VAC 50/60 HZ
MOTOR SUPPLY		-
CURRENT		1.5A
PERFORMANCE DATA		
SPEED (M/S)		0.016
FORCE (N)		1800
WORK CYCLE (CYCLES PER HOUR)		58
DIMENSIONAL & GENERAL DATA		
PROTECTION LEVEL		IP44
WORKING TEMP (°C MIN/MAX)		-20 - +50
DIMENSIONS (MM)		820 X 115 X 105
MOTOR WEIGHT (KG)		6

**NICE BIDI WIFI
PLUG-IN GATE
AUTOMATION
PROGRAMMING
UNIT**



Turn to page !!!

COMPATIBILITY TABLE WITH CONTROL SYSTEMS AND ACCESSORIES:

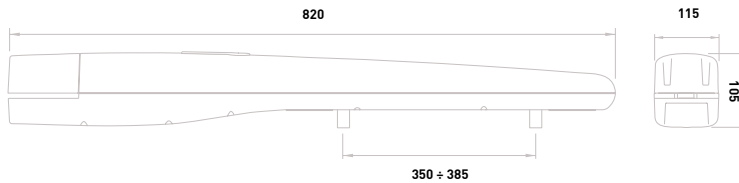
	CP / RECEIVER	TRANSMITTERS	PHOTOCELLS	LIGHT
Code	MC800 / Built-in* MC800 / OXI / OXIBD / OXILR MC824H / OXI / OXIBD / OXILR MC824HR / OXI / OXIBD / OXILR ERA INTI ERA ONE ERA ONE BD ERA ONE LR ERA FLOR NICEWAY EPS EPMI EPL EPSB EPMB EPLB EPMOW F210 F210 F210B F210B ELAC ELDC WLT			
T04006		•	•	•



NICE TOONA KITS - 24v Above ground gate automation up to 3m

TOONA KIT3	2 leaf - Irreversible - magnetic encoder - mechanical stop on opening - gates up to 3m or 500kg
TOONA KIT10	1 leaf - Irreversible - magnetic encoder - mechanical stop on opening - gates up to 3m or 500kg
SPARES & ACCESSORIES	
T04024	Operator - Irreversible - magnetic encoder - mechanical stop on opening - gates up to 3m -or 500kg
PS324	24vdc battery backup with integrated charger
MC824H	Control unit and housing for 24v kits
PLA13	Mechanical travel stops for closing & opening manoeuvres
PLA14	Screw adjustable rear bracket Toona 4
PLA15	Screw adjustable front bracket Toona 4
O-VIEW	Programming & diagnostic unit with BUS T4 connection

TECHNICAL INFO:



TOONA ABOVE GROUND OPERATOR 500KG UP TO 3M	
ELECTRICAL DATA	
POWER SUPPLY	230VAC 50/60 HZ
MOTOR SUPPLY	24VDC
CURRENT	5A
PERFORMANCE DATA	
SPEED (M/S)	0.016
FORCE (N)	1800
WORK CYCLE (CYCLES PER HOUR)	95 (OPTIMAL INSTALLATION)
DIMENSIONAL & GENERAL DATA	
PROTECTION LEVEL	IP44
WORKING TEMP (°C MIN/MAX)	-20 - +50
DIMENSIONS (MM)	820 X 115 X 105
MOTOR WEIGHT (KG)	6

COMPATIBILITY TABLE WITH CONTROL SYSTEMS AND ACCESSORIES:

Code	CP / RECEIVER		TRANSMITTERS					PHOTOCELLS					LIGHT										
	MC200 / Built-in*	MC800 / OXI / OXIBD / OXILR	MC824H / OXI / OXIBD / OXILR	MC824HR / OXI / OXIBD / OXILR	ERA INTI	ERA ONE	ERA ONE BD	ERA ONE LR	ERA FLOR	NICEWAY	EPS	EPM	EPL	EPMB	EPLB	EPMDW	F210	FT210	F210B	FT210B	ELAC	ELDC	WLT
TO4024			•	•	•	•	•	•	•				•	•	•	•			•			•	•



NICE TOONA KIT 3

- 2 x T04024 Operator
- 1 x MC824H Control Panel
- 2 x ON2E 2 Channel transmitters
- 1 x Pair of EPMB Photocells
- 1 x OXIBD 4 Channel bi-directional receiver



NICE TOONA KIT 10

- 1 x T04024 Operator
- 1 x MC824H Control Panel
- 2 x ON2E 2 Channel transmitters
- 1 x Pair of EPMB Photocells
- 1 x OXIBD 4 Channel bi-directional receiver

NEED ACCESS CONTROL SOLUTIONS?

See page 83 for details



NICE TOONA KIT 2

- 2 x **T05016** Operator
- 1 x **MC800** Control Panel
- 2 x **ON2E** 2 Channel transmitters
- 1 x **Pair of EPMB** Photocells
- 1 x **OXIBD** 4 Channel bi-directional receiver



NICE TOONA KIT 6

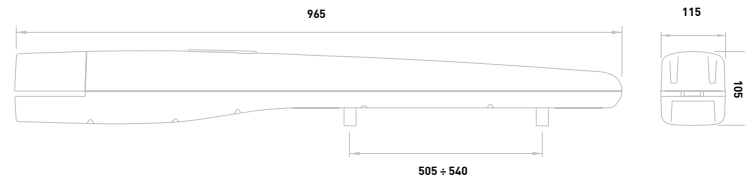
- 1 x **T05016** Operator
- 1 x **MC800** Control Panel
- 2 x **ON2E** 2 Channel transmitters
- 1 x **Pair of EPMB** Photocells
- 1 x **OXIBD** 4 Channel bi-directional receiver



NICE TOONA KITS - 230V Above ground gate automation up to 5m

TOONA KIT2	2 leaf - Irreversible - cruising speed - limit switch on opening & closing - gates up to 5m or 500kg
TOONA KIT6	1 leaf - Irreversible - cruising speed - limit switch on opening & closing - gates up to 5m or 500kg
SPARES & ACCESSORIES	
T05016	Operator - Irreversible - cruising speed - limit switch on opening & closing - gates up to 5m or 500kg
MC800	Control unit and housing for 230v kits
PLA13	Mechanical travel stops for closing & opening maneuvers
BIDI-WIFI	Plug-in programming & diagnostic unit with BUS T4 connection

TECHNICAL INFO:



Dimensions in: mm		TOONA ABOVE GROUND OPERATOR 500KG UP TO 5M
ELECTRICAL DATA		T05016
POWER SUPPLY		230VAC 50/60 HZ
MOTOR SUPPLY		-
CURRENT		1.5A
PERFORMANCE DATA		
SPEED (M/S)		0.013
FORCE (N)		1800
WORK CYCLE (CYCLES PER HOUR)		54
DIMENSIONAL & GENERAL DATA		
PROTECTION LEVEL		IP44
WORKING TEMP (°C MIN/MAX)		-20 - +50
DIMENSIONS (MM)		965 X 115 X 105
MOTOR WEIGHT (KG)		7

LOCINOX SLIDING & SWING GATE LOCKS



Turn to page **144**

COMPATIBILITY TABLE WITH CONTROL SYSTEMS AND ACCESSORIES:

Code	CP / RECEIVER		TRANSMITTERS										PHOTOCELLS					LIGHT						
	MC200 / Built-in*	MC800 / OXI / OXIBD / OXILR	MC804H / OXI / OXIBD / OXILR	MC804HR / OXI / OXIBD / OXILR	ERA INTI	ERA ONE	ERA ONE BD	ERA ONE LR	ERA FLOR	NICEWAY	EPS	EPM	EPL	EP5B	EPMB	EPLB	EPMOVW	F210	FT210	F210B	FT210B	ELAC	ELDC	WLT
T05016		•			•	•	•	•	•	•	•	•						•	•			•		



NICE TOONA KITS - 24v Above ground gate automation up to 5m

TOONA KIT4	2 leaf - Irreversible - magnetic encoder - mechanical stop on opening - gates up to 5m or 500kg
TOONA KIT7	1 leaf - Irreversible - magnetic encoder - mechanical stop on opening - gates up to 5m or 500kg
SPARES & ACCESSORIES	
T05024	Operator - Irreversible - magnetic encoder - mechanical stop on opening - gates up to 5m or 500kg
PS324	24vdc battery backup with integrated charger
MC824H	Control unit and housing for 24v kits
PLA13	Mechanical travel stops for closing & opening maneuvers
O-VIEW	Programming & diagnostic unit with BUS T4 connection



NICE TOONA KIT 4

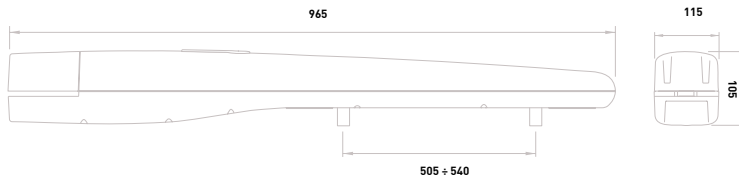
- 2 x T05024 Operator
- 1 x MC824H Control Panel
- 2 x ON2E 2 Channel transmitters
- 1 x Pair of EPMB Photocells
- 1 x OXIBD 4 Channel bi-directional receiver



NICE TOONA KIT 7

- 1 x T05024 Operator
- 1 x MC824H Control Panel
- 2 x ON2E 2 Channel transmitters
- 1 x Pair of EPMB Photocells
- 1 x OXIBD 4 Channel bi-directional receiver

TECHNICAL INFO:



Dimensions in: mm		TOONA ABOVE GROUND OPERATOR 500KG UP TO 5M
ELECTRICAL DATA		T05024
POWER SUPPLY		230VAC 50/60 HZ
MOTOR SUPPLY		24VDC
CURRENT		5A
PERFORMANCE DATA		
SPEED (M/S)		0.016
FORCE (N)		1800
WORK CYCLE (CYCLES PER HOUR)		95 (OPTIMAL INSTALLATION)
DIMENSIONAL & GENERAL DATA		
PROTECTION LEVEL		IP44
WORKING TEMP (°C MIN/MAX)		-20 - +50
DIMENSIONS (MM)		965 X 115 X 105
MOTOR WEIGHT (KG)		7

COMPATIBILITY TABLE WITH CONTROL SYSTEMS AND ACCESSORIES:

Code	CP / RECEIVER		TRANSMITTERS						PHOTOCELLS							LIGHT				
	MC200 / Built-in*	OXIBD / OXILR	ERA ONE	ERA ONE BD	ERA ONE LR	ERA FLOR	NICEWAY	EPS	EPMB	EPL	EPMB	EPLB	EPIMOW	F210	FT210	F210B	FT210B	ELAC	ELDC	WLT
T05024			•								•	•	•						•	•

LOOKING FOR SWING GATE HARDWARE EQUIPMENT?

Visit www.rollingcenter.co.uk or call 0113 201 6677 for more information.



NICE TOONA KIT 5

- 2 x T07024 Operator
- 1 x MC824H Control Panel
- 2 x ON2E 2 Channel transmitters
- 1 x Pair of EPMB Photocells
- 1 x OXIBD 4 Channel bi-directional receiver



NICE TOONA KIT 8

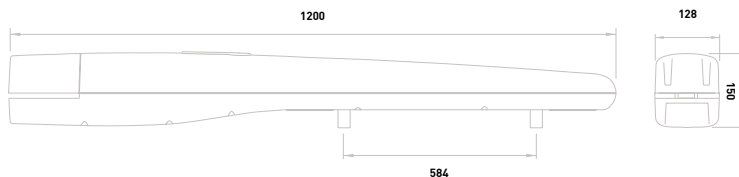
- 1 x T07024 Operator
- 1 x MC824H Control Panel
- 2 x ON2E 2 Channel transmitters
- 1 x Pair of EPMB Photocells
- 1 x OXIBD 4 Channel bi-directional receiver



NICE TOONA KITS - 24v Above ground gate automation up to 7m

TOONA KIT5	2 leaf - Irreversible - magnetic encoder - mechanical stop on O/C - gates up to 7m or 1700kg
TOONA KIT8	1 leaf - Irreversible - magnetic encoder - mechanical stop on O/C - gates up to 7m or 1700kg
SPARES & ACCESSORIES	
T07024	Operator - Irreversible - magnetic encoder - mechanical stop on O/C - gates up to 7m or 1700kg
PS324	24vdc battery backup with integrated charger
MC824H	Control unit and housing for 24v kits
PLA13	Mechanical travel stops for closing & opening maneuvers
BIDI-WIFI	Plug-in programming & diagnostic unit with BUS T4 connection

TECHNICAL INFO:



Dimensions in: mm		TOONA ABOVE GROUND OPERATOR 1700KG UP TO 7M
ELECTRICAL DATA		T07024
POWER SUPPLY		230VAC 50/60 HZ
MOTOR SUPPLY		24VDC
CURRENT		5A
PERFORMANCE DATA		
SPEED (M/S)		0.013
FORCE (N)		2700
WORK CYCLE (CYCLES PER HOUR)		41
DIMENSIONAL & GENERAL DATA		
PROTECTION LEVEL		IP44
WORKING TEMP (°C MIN/MAX)		-20 - +50
DIMENSIONS (MM)		1200 X 128 X 150
MOTOR WEIGHT (KG)		15

MICROTRONICS BLUEFORCE GATE FORCE TESTER KIT

Turn to page **69**

COMPATIBILITY TABLE WITH CONTROL SYSTEMS AND ACCESSORIES:

Code	CP / RECEIVER	TRANSMITTERS										PHOTOCELLS					LIGHT				
	MC200 / Built-in* / MC424L / OX1 / OXIBD / OX1L / MC824H / OX1 / OXIBD / OX1L / MC824HR / OX1 / OXIBD / OX1L	ERA INT	ERA ONE	ERA ONE BD	ERA ONE LR	ERA FLOR	NICEWAY	EPS	EPM	EPL	EP5B	EPMB	EPLB	EPMOV	F210	FT210	F210B	FT210B	ELAC	ELDC	WLT
T07024		•	•	•	•	•					•	•	•	•			•			•	•



A large area of the page is filled with horizontal dashed lines, providing a template for handwritten notes.



BENINCA KBOB30ME KIT

- 2 x BOB.30ME Operator
- 1 x BRAINY Control Panel
- 2 x TO.G02VA 2 Channel transmitters
- 1 x Pair of PUPILLA Photocells
- 1 x AWO Aerial



BENINCA KSBOB30ME KIT

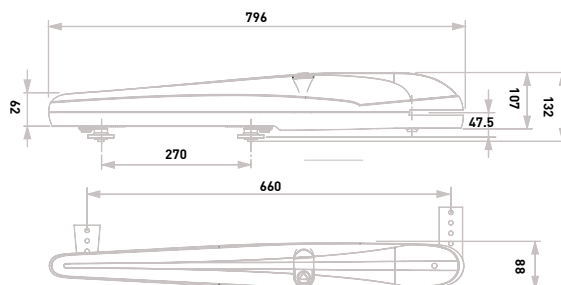
- 1 x BOB.30ME Operator
- 1 x BRAINY Control Panel
- 2 x TO.G02VA 2 Channel transmitters
- 1 x Pair of PUPILLA Photocells
- 1 x AWO Aerial



BENINCA BOB KITS - 230v Above ground gate automation up to 3m

KBOB30ME KIT	2 leaf - Irreversible - encoder - built-in stop gates up to 3m or 400kg
KSBOB30ME KIT	1 leaf - Irreversible - encoder - built-in stop gates up to 3m or 400kg
SPARES & ACCESSORIES	
BOB30ME	Operator - Irreversible - encoder - built-in stop - gates up to 3m or 400kg
BRAINY	230v control panel and housing

TECHNICAL INFO:



Dimensions in: mm		BOB30ME ABOVE GROUND MOTOR UP TO 3M
ELECTRICAL DATA		BOB30ME
POWER SUPPLY		230VAC 50/60 HZ
MOTOR SUPPLY		-
CURRENT		1.8A
PERFORMANCE DATA		
FORCE (NM)		2300
DUTY CYCLE		30%
DIMENSIONAL & GENERAL DATA		
PROTECTION LEVEL		IP44
WORKING TEMP (°C MIN/MAX)		-20 - +50
MOTOR WEIGHT (KG)		8.5

COMPATIBILITY TABLE WITH CONTROL SYSTEMS AND ACCESSORIES:

	RECEIVER	TRANSMITTER	PHOTOCELLS	LIGHT
Code	Built-in*	TO.G0 VA TO.G0 AK	IRI TX VA IRI TX AK	PUPILLA PUPILLA T PUPILLA B
BOB50ME	•	•	•	LAMPLED LAMP24LED IRILLAMP





BENINCA BOB KITS - 24v Above ground gate automation up to 3m

KBOB3024E KIT	2 leaf - Irreversible - encoder - force detection - gates up to 3m or 400kg
KSOB3024E KIT	1 leaf - Irreversible - encoder - force detection - gates up to 3m or 400kg
SPARES & ACCESSORIES	
BOB3024E	Operator - Irreversible - encoder - force detection - gates up to 3m or 400kg
BRAINY24	24v control panel and housing
BRAINY24.CB-SW	24v battery back up accessory 1.2ah batteries and support bracket
BRAINY24.CB	24v battery back up accessory with CBY.24V battery charger 1.2ah batteries and support bracket



**BENINCA
KBOB3024E KIT**

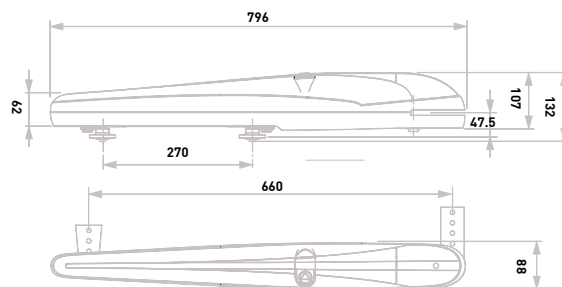
- 2 x **BOB.3024E** Operator
- 1 x **BRAINY24** Control Panel
- 2 x **TO.G02VA** 2 Channel transmitters
- 1 x Pair of **PUPILLA** Photocells
- 1 x **AWO** Aerial



**BENINCA
KSOB3024E KIT**

- 1 x **BOB.3024E** Operator
- 1 x **BRAINY** Control Panel
- 2 x **TO.G02VA** 2 Channel transmitters
- 1 x Pair of **PUPILLA** Photocells
- 1 x **AWO** Aerial

TECHNICAL INFO:



Dimensions in: mm		BOB3024E ABOVE GROUND MOTOR UP TO 3M
ELECTRICAL DATA		BOB3024E
POWER SUPPLY		230VAC 50/60 HZ
MOTOR SUPPLY		24VDC
CURRENT		5.5A
PERFORMANCE DATA		
FORCE (NM)		1800
DUTY CYCLE		INTENSIVE USE
DIMENSIONAL & GENERAL DATA		
PROTECTION LEVEL		IP44
WORKING TEMP (°C MIN/MAX)		-20 - +50
MOTOR WEIGHT (KG)		8

COMPATIBILITY TABLE WITH CONTROL SYSTEMS AND ACCESSORIES:

Code	RECEIVER		TRANSMITTER				PHOTOCELLS			LIGHT		
	Built-in*		TO.G0 VA	TO.G0 AK	IRI TX VA	IRI TX AK	PUPILLA	PUPILLA T	PUPILLA B	LAMPLED	LAMP24LED	IRI.LAMP
BOB3024E	•		•	•	•	•	•	•	•	•	•	•

ENC ABS ENCLOSURES

Turn to page **107**



BENINCA KBOB50ME KIT

- 2 x BOB.50ME Operator
- 1 x BRAINY Control Panel
- 2 x TO.G02VA 2 Channel transmitters
- 1 x Pair of PUPILLA Photocells
- 1 x AWO Aerial



BENINCA KSB0B50ME KIT

- 1 x BOB.50ME Operator
- 1 x BRAINY Control Panel
- 2 x TO.G02VA 2 Channel transmitters
- 1 x Pair of PUPILLA Photocells
- 1 x AWO Aerial

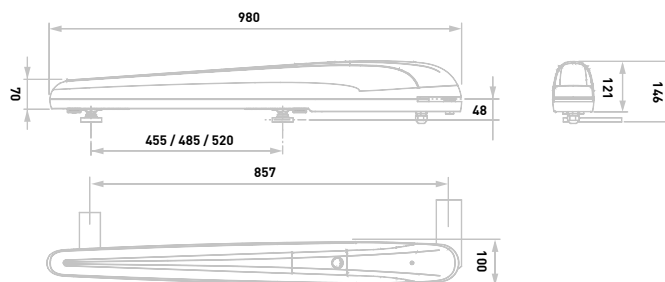
BOB30ME



BENINCA BOB KITS - 230v Above ground gate automation up to 5m

KBOB50ME KIT	2 leaf - Irreversible - encoder - built-in stop - gates up to 5m or 600kg
KSB0B50ME KIT	1 leaf - Irreversible - encoder - built-in stop - gates up to 5m or 600kg
SPARES & ACCESSORIES	
BOB50ME	Operator - Irreversible - encoder - built-in stop - gates up to 5m or 600kg
BRAINY	230v control panel and housing

TECHNICAL INFO:



Dimensions in: mm		BOB50ME ABOVE GROUND MOTOR UP TO 5M
ELECTRICAL DATA		BOB50ME
POWER SUPPLY		230VAC 50/60 HZ
MOTOR SUPPLY		-
CURRENT		1.4A
PERFORMANCE DATA		
FORCE (NM)		3500
DUTY CYCLE		30%
DIMENSIONAL & GENERAL DATA		
PROTECTION LEVEL		IP44
WORKING TEMP (°C MIN/MAX)		-20 - +50
WEIGHT (KG)		11.6

COMPATIBILITY TABLE WITH CONTROL SYSTEMS AND ACCESSORIES:

	RECEIVER	TRANSMITTER	PHOTOCELLS	LIGHT
Code	Built-in*	TO.G0 VA TO.G0 AK IRI TX VA IRI TX AK	PUPILLA PUPILLA T PUPILLA B	LAMPLED LAMP24LED IRILAMP
BOB50ME	•	• • • •	• • •	• • •

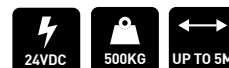
CAN'T SEE WHAT YOU'RE LOOKING FOR?

Our friendly team are here to help. Call us on 0113 201 6677 or email Info@rollingcenter.co.uk



BENINCA BOB KITS - 24v Above ground gate automation up to 5m

KBOB5024E KIT	2 leaf - Irreversible - encoder - force detection - gates up to 5m or 500kg
KSBOB5024E KIT	1 leaf - Irreversible - encoder - force detection - gates up to 5m or 500kg
SPARES & ACCESSORIES	
BOB5024E	Operator - Irreversible - encoder - force detection - gates up to 5m or 500kg
BRAINY24	24v control panel and housing
BRAINY24.CB-SW	24v battery back up accessory 1.2ah batteries and support bracket
BRAINY24.CB	24v battery back up accessory with CBY.24V battery charger 1.2ah batteries and support bracket



**BENINCA
KBOB5024E KIT**

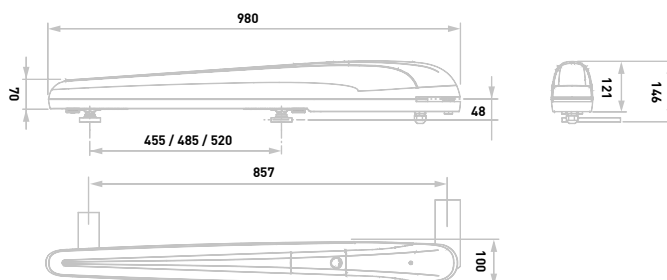
- 2 x **BOB.5024E** Operator
- 1 x **BRAINY24** Control Panel
- 2 x **TO.G02VA** 2 Channel transmitters
- 1 x Pair of **PUPILLA** Photocells
- 1 x **AWO** Aerial



**BENINCA
KSBOB5024E KIT**

- 1 x **BOB.5024E** Operator
- 1 x **BRAINY** Control Panel
- 2 x **TO.G02VA** 2 Channel transmitters
- 1 x Pair of **PUPILLA** Photocells
- 1 x **AWO** Aerial

TECHNICAL INFO:



Dimensions in: mm		BOB5024E ABOVE GROUND MOTOR UP TO 5M
ELECTRICAL DATA		BOB5024E
POWER SUPPLY		230VAC 50/60 HZ
MOTOR SUPPLY		24VDC
CURRENT		6.7A
PERFORMANCE DATA		
FORCE (NM)		2200
DUTY CYCLE		INTENSIVE USE
DIMENSIONAL & GENERAL DATA		
PRETECTION LEVEL		IP44
WORKING TEMP (°C MIN/MAX)		-20 - +50
MOTOR WEIGHT (KG)		11.6

COMPATIBILITY TABLE WITH CONTROL SYSTEMS AND ACCESSORIES:

Code	RECEIVER		TRANSMITTER				PHOTOCELLS			LIGHT		
	Built-in*		TO.G0 VA	TO.G0 AK	IRI TX VA	IRI TX AK	PUPILLA	PUPILLA T	PUPILLA B	LAMPILED	LAMP24LED	IRILAMP
BOB5024E	•		•	•	•	•	•	•	•	•	•	•

**AVAILABLE IN
DARK GREY .DA
FINISH**

Speak with our sales team for more information on 0113 201 6677 or email Info@rollingcenter.co.uk



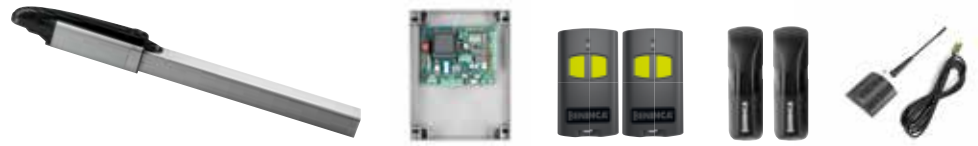
BENINCA KHD35 KIT

- 2 x HD.35 Hydraulic operator
- 1 x BRAINY Control Panel
- 2 x TO.G02VA 2 Channel transmitters
- 1 x Pair of PUPILLA Photocells
- 1 x 1 x AWO Aerial



BENINCA KSHD35 KIT

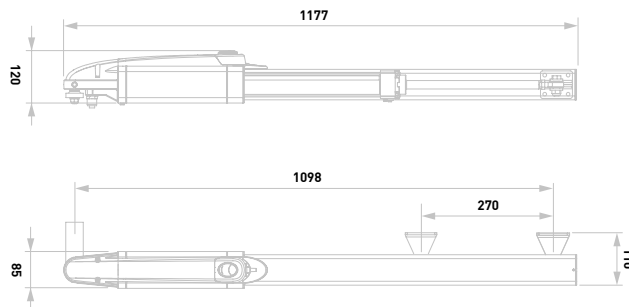
- 1 x HD.35 Hydraulic operator
- 1 x BRAINY Control Panel
- 2 x TO.G02VA 2 Channel transmitters
- 1 x Pair of PUPILLA Photocells
- 1 x 1 x AWO Aerial



BENINCA HD KITS - 230v Above ground hydraulic gate automation up to 3.5m

KHD35 KIT	2 leaf - reversible - encoder - gates up to 3.5m or 500kg
KSHD35 KIT	1 leaf - reversible - encoder - gates up to 3.5m or 500kg
SPARES & ACCESSORIES	
HD.35	Operator - reversible - encoder - gates up to 3.5m or 500kg
BRAINY	230v control panel and housing
D.OIL	Bio oil for hydraulic motors

TECHNICAL INFO:



Dimensions in: mm

HD.35 ABOVE GROUND MOTOR UP TO 3.5M

ELECTRICAL DATA		HD.35
POWER SUPPLY		230VAC 50/60 HZ
MOTOR SUPPLY		-
CURRENT		1.1A
PERFORMANCE DATA		
FORCE (NM)		5000
DUTY CYCLE		INTENSIVE USE
DIMENSIONAL & GENERAL DATA		
PROTECTION LEVEL		IP55
WORKING TEMP (°C MIN/MAX)		-20 - +50
MOTOR WEIGHT (KG)		14

BENINCA 24V HYDRAULIC KITS ALSO AVAILABLE

Speak with our sales team for more information on 0113 201 6677 or email Info@rollingcenter.co.uk

INTERESTED IN AN ALUMINIUM GATE? TAKE A LOOK AT OUR FULL RANGE OF MADE TO MEASURE ALUMINIUM GATES

See page 235 for details

COMPATIBILITY TABLE WITH CONTROL SYSTEMS AND ACCESSORIES:

	RECEIVER	TRANSMITTER		PHOTOCELLS			LIGHT				
Code	Built-in*	TO.G0 VA	TO.G0 AK	IRI TX VA	IRI TX AK	PUPILLA	PUPILLA T	PUPILLA B	LAMPLED	LAMP2ALED	IRILAMP
HD35	•	•	•	•	•	•	•	•	•	•	•



BENINCA HD KITS - 230v Above ground hydraulic gate automation up to 3.5m

KHD35AC KIT	2 Leaf - Irreversible - encoder - mechanical limits on open and close - gates up to 3.5m or 500kg
KSHD35AC KIT	1 Leaf - Irreversible - encoder - mechanical limits on open and close - gates up to 3.5m or 500kg
SPARES & ACCESSORIES	
HD.35AC	Operator - Irreversible - encoder - mechanical limits on open and close - gates up to 3.5m or 500kg
BRAINY	230v control panel and housing
D.OIL	Bio oil for hydraulic motors



BENINCA KHD35AC KIT

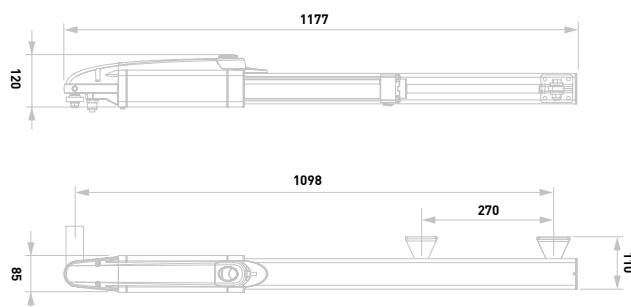
- 2 x **HD.35AC** Hydraulic operator
- 1 x **BRAINY** Control Panel
- 2 x **TO.G02VA** 2 Channel transmitters
- 1 x Pair of **PUPILLA** Photocells
- 1 x **AWO** Aerial



BENINCA KSHD35AC KIT

- 1 x **HD.35AC** Hydraulic operator
- 1 x **BRAINY** Control Panel
- 2 x **TO.G02VA** 2 Channel transmitters
- 1 x Pair of **PUPILLA** Photocells
- 1 x **AWO** Aerial

TECHNICAL INFO:



Dimensions in: mm		HD.35AC ABOVE GROUND MOTOR UP TO 3.5M
ELECTRICAL DATA		HD.35AC
POWER SUPPLY		230VAC 50/60 HZ
MOTOR SUPPLY		-
CURRENT		1.1A
PERFORMANCE DATA		
FORCE (NM)		5000
DUTY CYCLE		INTENSIVE USE
DIMENSIONAL & GENERAL DATA		
PROTECTION LEVEL		IP55
WORKING TEMP (°C MIN/MAX)		-20 - +50
MOTOR WEIGHT (KG)		13

COMPATIBILITY TABLE WITH CONTROL SYSTEMS AND ACCESSORIES:

Code	RECEIVER		TRANSMITTER				PHOTOCELLS			LIGHT		
	Built-in*		TO.G0 VA	TO.G0 AK	IRI TX VA	IRI TX AK	PUPILLA	PUPILLA T	PUPILLA B	LAMPILED	LAMP24LED	IRILAMP
HD35AC	•		•	•	•	•	•	•	•	•	•	•

BENINCA 24V HYDRAULIC KITS ALSO AVAILABLE

Speak with our sales team for more information on 0113 201 6677 or email Info@rollingcenter.co.uk

ROLLING CENTER QUICK FOLDING



Turn to page 190



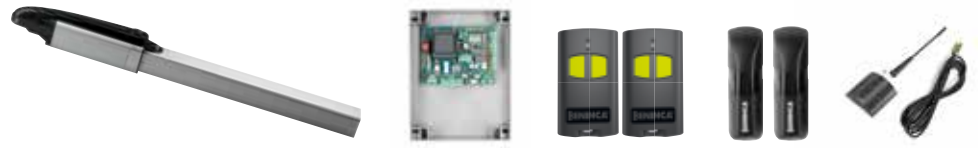
BENINCA KHD50 KIT

- 2 x HD.50 Hydraulic operator
- 1 x BRAINY Control Panel
- 2 x TO.G02VA 2 Channel transmitters
- 1 x Pair of PUPILLA Photocells
- 1 x AWO Aerial



BENINCA KSHD50 KIT

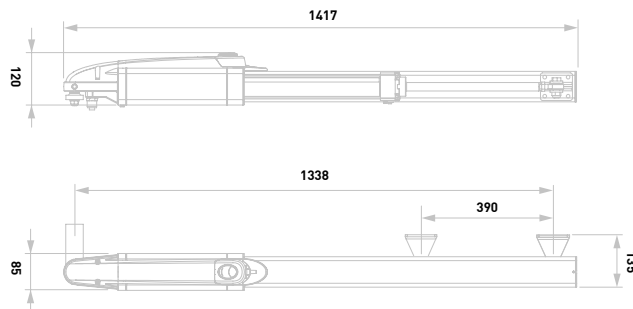
- 1 x HD.50 Hydraulic operator
- 1 x BRAINY Control Panel
- 2 x TO.G02VA 2 Channel transmitters
- 1 x Pair of PUPILLA Photocells
- 1 x AWO Aerial



BENINCA HD KITS - 230v Above ground hydraulic gate automation up to 5m

KHD50 KIT	2 leaf - reversible - encoder - gates up to 5m or 500kg
KSHD50 KIT	1 leaf - reversible - encoder - gates up to 5m or 500kg
SPARES & ACCESSORIES	
HD.50	Operator - reversible - encoder - gates up to 5m or 500kg
BRAINY	230v control panel and housing
D.OIL	Bio oil for hydraulic motors

TECHNICAL INFO:



Dimensions in: mm		HD.50 ABOVE GROUND MOTOR UP TO 5M
ELECTRICAL DATA		HD.50
POWER SUPPLY		230VAC 50/60 HZ
MOTOR SUPPLY		-
CURRENT		1.1A
PERFORMANCE DATA		
FORCE (NM)		5000
DUTY CYCLE		INTENSIVE USE
DIMENSIONAL & GENERAL DATA		
PROTECTION LEVEL		IP55
WORKING TEMP (°C MIN/MAX)		-20 - +50
MOTOR WEIGHT (KG)		14.5

BENINCA 24V HYDRAULIC KITS ALSO AVAILABLE

Speak with our sales team for more information on 0113 201 6677 or email Info@rollingcenter.co.uk

REGISTER FOR A TRADE ACCOUNT TODAY TO RECEIVE TRADE DISCOUNTS

Call us on 0113 201 6677 our friendly team are here to help.

COMPATIBILITY TABLE WITH CONTROL SYSTEMS AND ACCESSORIES:

	RECEIVER	TRANSMITTER	PHOTOCELLS	LIGHT
Code	Built-in*	TO.G0 VA TO.G0 AK IRI TX VA IRI TX AK	PUPILLA PUPILLA T PUPILLA B	LAMPLED LAMP24LED IRILLAMP
HD50	•	• • • •	• • •	• • •



BENINCA HD KITS - 230v Above ground hydraulic gate automation up to 5m

KHD50AC KIT	2 leaf - Irreversible - encoder - mechanical limits on open and close - gates up to 5m or 500kg
KSHD50AC KIT	1 leaf - Irreversible - encoder - mechanical limits on open and close - gates up to 5m or 500kg
SPARES & ACCESSORIES	
HD.50AC	Operator - Irreversible - encoder - mechanical limits on open and close - gates up to 5m or 500kg
BRAINY	230v control panel and housing
D.OIL	Bio oil for hydraulic motors



**BENINCA
KHD50AC KIT**

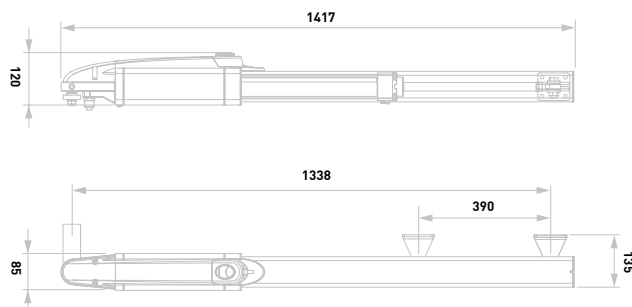
- 2 x **HD.50AC** Hydraulic operator
- 1 x **BRAINY** Control Panel
- 2 x **TO.G02VA** 2 Channel transmitters
- 1 x Pair of **PUPILLA** Photocells
- 1 x **AWO** Aerial



**BENINCA
KSHD50AC KIT**

- 1 x **HD.50AC** Hydraulic operator
- 1 x **BRAINY** Control Panel
- 2 x **TO.G02VA** 2 Channel transmitters
- 1 x Pair of **PUPILLA** Photocells
- 1 x **AWO** Aerial

TECHNICAL INFO:



Dimensions in: mm		HD.50AC ABOVE GROUND MOTOR UP TO 5M
ELECTRICAL DATA		HD.50AC
POWER SUPPLY		230VAC 50/60 HZ
MOTOR SUPPLY		-
CURRENT		1.1A
PERFORMANCE DATA		
FORCE (NM)		5000
DUTY CYCLE		INTENSIVE USE
DIMENSIONAL & GENERAL DATA		
PROTECTION LEVEL		IP55
WORKING TEMP (°C MIN/MAX)		-20 - +50
MOTOR WEIGHT (KG)		14.5

COMPATIBILITY TABLE WITH CONTROL SYSTEMS AND ACCESSORIES:

Code	RECEIVER		TRANSMITTER				PHOTOCELLS			LIGHT		
	Built-in*		TO.G0 VA	TO.G0 AK	IRI TX VA	IRI TX AK	PUPILLA	PUPILLA T	PUPILLA B	LAMPLED	LAMP2LED	IRILAMP
HD50AC	•		•	•	•	•	•	•	•	•	•	•

**BENINCA 24V
HYDRAULIC KITS
ALSO AVAILABLE**

Speak with our sales team for more information on 0113 201 6677 or email Info@rollingcenter.co.uk

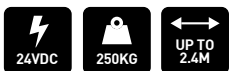
**NEED MAGNETIC
LOCKS?**

See page **158** for details



NICE HOPP KIT 1

- 1 x **H07124** Master operator
- 1 x **H07224** Slave operator
- 1 x **MC824H** Control Panel
- 2 x **ON2E** 2 Channel transmitters
- 1 x **Pair of EPMB** Photocells
- 1 x **ELDC** Flashing light
- 1 x **OXIBD** 4 Channel bi-directional receiver



NICE HOPP KIT 2

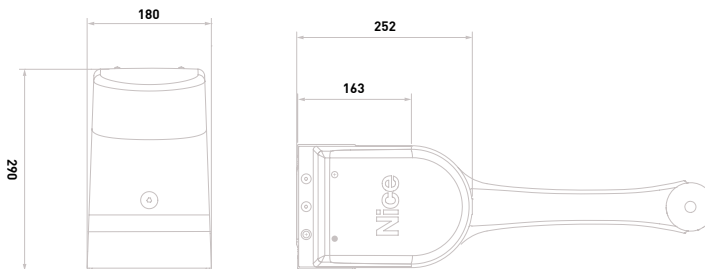
- 1 x **H07124** Master operator
- 1 x **MC824H** Control Panel
- 2 x **ON2E** 2 Channel transmitters
- 1 x **Pair of EPMB** Photocells
- 1 x **ELDC** Flashing light
- 1 x **OXIBD** 4 Channel bi-directional receiver



HOPP KITS - 24v Above ground articulated gate automation up to 2.4m

HOPPKIT1	2 leaf - irreversible - with articulated arm - gates up to 2.4m or 250kg
HOPPKIT2	1 leaf - irreversible - with articulated arm - gates up to 2.4m or 250kg
SPARES & ACCESSORIES	
H07124	Operator - master - irreversible - with articulated arm - gates up to 2.4m or 250kg
H07224	Operator - slave - irreversible - with articulated arm - gates up to 2.4m or 250kg
POA3	Spare control unit for H07124 control panel
OVIEW	Programming & diagnostic unit with BUS T4 connection

TECHNICAL INFO:



Dimensions in: mm		HOPP ARTICULATED GATE OPERATOR UP TO 2.4M	
		H07124	H07224
ELECTRICAL DATA			
MOTOR SUPPLY		230VAC 50/60 HZ	
POWER SUPPLY		24VDC	24VDC
CURRENT		1.3A	4A
PERFORMANCE DATA			
SPEED (RPM)			1.68
TORQUE (NM)			250
WORK CYCLE (CYCLES PER HOUR)			35
DIMENSIONAL & GENERAL DATA			
PROTECTION LEVEL			IP54
WORKING TEMP (°C MIN/MAX)			-20 - +50
DIMENSIONS (MM)			252 X 180 X 290
MOTOR WEIGHT (KG)		9	6.5

COMPATIBILITY TABLE WITH CONTROL SYSTEMS AND ACCESSORIES:

Code	RECEIVER		TRANSMITTER							PHOTOCELLS							LIGHT						
	Built-in*	OXIBD	OXILR	ERA INTI	ERA ONE	ERA ONE BD	ERA ONE LR	ERA FLOR	NICEWAY	EPS	EPM	EPL	EPSB	EPMB	EPLB	EPMDW	F210	FT210	F210B	FT210B	ELAC	ELDC	WLT
H07124		•	•	•	•	•	•	•					•	•	•	•						•	•

WE HAVE A FULL RANGE OF ACCESS CONTROL SOLUTIONS AVAILABLE AT COMPETITIVE PRICES

If you don't see what you're looking for call us on **0113 201 6677** or email **Info@rollingcenter.co.uk**



HYKE KITS - 24v Above ground articulated gate automation up to 3.5m

HYKEKIT1	2 leaf - irreversible - magnetic encoder - with articulated arm - gates up to 3.5m or 330kg
HYKEKIT2	1 leaf - irreversible - magnetic encoder - with articulated arm - gates up to 3.5m or 330kg
SPARES & ACCESSORIES	
HK7024	Operator - master - irreversible - magnetic encoder - with articulated arm - gates up to 3.5m or 330kg
HK7224	Operator - slave - irreversible - magnetic encoder - with articulated arm - gates up to 3.5m or 330kg
HKA2	Spare control unit for HK7024 control panel
BIDI-WIFI	Plug-in programming & diagnostic unit with BUS T4 connection



NICE HYKE KIT 1

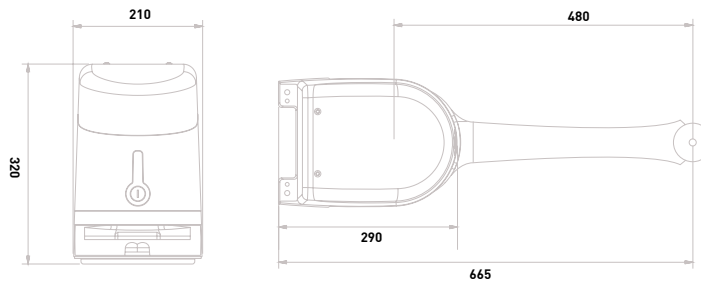
- 1 x **HK7024** Master operator
- 1 x **HK7224** Slave operator
- 1 x **MC824H** Control Panel
- 2 x **ON2E** 2 Channel transmitters
- 1 x **Pair of EPMB** Photocells
- 1 x **ELDC** Flashing light
- 1 x **OXIBD** 4 Channel bi-directional receiver



NICE HYKE KIT 2

- 1 x **HK7024** Master operator
- 1 x **MC824H** Control Panel
- 2 x **ON2E** 2 Channel transmitters
- 1 x **Pair of EPMB** Photocells
- 1 x **ELDC** Flashing light
- 1 x **OXIBD** 4 Channel bi-directional receiver

TECHNICAL INFO:



ELECTRICAL DATA		HK7024	HK7224
MOTOR SUPPLY		230VAC 50/60 HZ	
POWER SUPPLY		24VDC	24VDC
CURRENT		1.5A	6A
PERFORMANCE DATA			
SPEED (RPM)			1.5
TORQUE (NM)			500
WORK CYCLE (CYCLES PER HOUR)			40
DIMENSIONAL & GENERAL DATA			
PROTECTION LEVEL			IP54
WORKING TEMP (°C MIN/MAX)			-20 - +50
DIMENSIONS (MM)			290 X 210 X 320
MOTOR WEIGHT (KG)		10.5	9.5

COMPATIBILITY TABLE WITH CONTROL SYSTEMS AND ACCESSORIES:

Code	RECEIVER		TRANSMITTER							PHOTOCELLS							LIGHT							
	Built-in*	OXIBD	OXILR	ERA INTI	ERA ONE	ERA ONE BD	ERA ONE LR	ERA FLOR	NICEWAY	EPS	EPM	EPL	EPFB	EPMB	EPLB	EPMDW	EPMDR	F210	F210	F210B	F210B	ELAC	ELDC	WLT
HK7024		•	•	•	•	•	•	•					•	•	•	•						•	•	

SRS DC90SS STANDALONE KEYPAD WITH PROXIMITY READER

Turn to page 87



NICE M3BAR-KIT

- 1 x M3BAR Barrier unit
- 1 x WA11 Adjustable stand
- 1 x WA10 24 Reflective strips
- 1 x XBA15 Barrier boom arm 3130mm



NICE M5BAR-KIT

- 1 x M5BAR Barrier unit
- 1 x WA11 Adjustable stand
- 1 x WA10 24 Red reflective strips
- 1 x XBA14 Barrier boom arm 4150mm

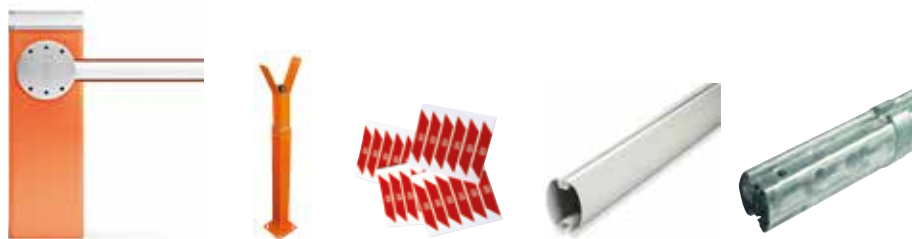


NICE M7BAR-KIT

- 1 x M7BAR Barrier unit
- 1 x WA11 Adjustable stand
- 1 x WA10 24 Red reflective strips
- 2 x XBA14 Barrier boom arm 3150mm
- 1 x XBA9 Boom connector

NICE L-BAR KIT ALSO AVAILABLE UP TO 9M BOOM

Speak with our sales team for more information on 0113 201 6677 or email Info@rollingcenter.co.uk



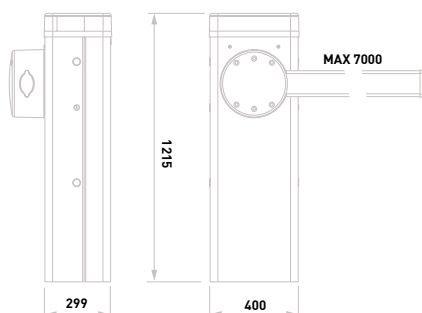
M-BAR KITS - 24v barrier automation from 4-6m openings

M3BAR-KIT	Barrier kit - irreversible - with built-in control unit - openings up to 4m (1x 3150m boom)
M5BAR-KIT	Barrier kit - irreversible - with built-in control unit - bar connector - openings up to 6m (1x 4150mm boom)
M7BAR-KIT	Barrier kit - irreversible - with built-in control unit - bar connector - openings up to 6m (2x 3150mm boom)

SPARES & ACCESSORIES

BCU1	Spare control unit for M3BAR units control panel
XBA5	White paint finished aluminium boom 69 x 92 x 5150
XBA14	White paint finished aluminium boom 69 x 92 x 4150
XBA15	White paint finished aluminium boom 69 x 92 x 3150
XBA9	Boom connector
XBA6	Indicator lights - click fixing - 6m length
XBA4	Indicator lights - click fixing - 4m length
XBA13	Rubber impact protection strips - 1m length
WA10	Red reflective strips
WA11	Adjustable stand for M3BAR kits
WA13	Aluminium skirt rack - 2m length
O-VIEW	Plug-in programming & diagnostic unit with BUS T4 connection

TECHNICAL INFO:



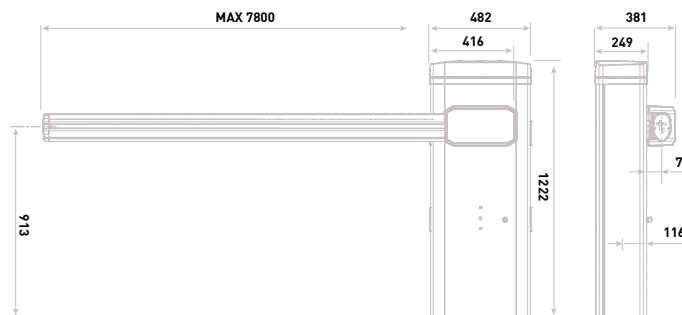
Dimensions in: mm	MBAR BARRIERS 4 & 6M		
	M3BAR	M5BAR	M7BAR
ELECTRICAL DATA			
MOTOR SUPPLY	230VAC 50/60 HZ		
POWER SUPPLY	24VDC		
CURRENT	1.3A	1.1A	1.1A
PERFORMANCE DATA			
SPEED MIN. ÷ MAX. (S)	1.5 - 4	3 - 6	6 - 10
TORQUE (NM)	100	200	300
WORK CYCLE (CYCLES PER HOUR)	600	350	200
DIMENSIONAL & GENERAL DATA			
PROTECTION LEVEL	IP54		
WORKING TEMP (°C MIN/MAX)	-20 - +55		
DIMENSIONS (MM)	400 X 299 X 1215		
WEIGHT (KG)	80		85



GT BARRIER KITS - 24v barrier automation from 4-6m openings

GT8-4M	Automatic barrier kit - irreversible gear motor with encoder - 4340mm boom - up to 4m opening
GT8-6M	Automatic barrier kit - irreversible gear motor with encoder - 6350mm boom - up to 6m opening
SPARES & ACCESSORIES	
803BB-0180	GT80AGS - Automatic barrier unit - irreversible gear motor with encoder - balance springs included
803XA-0400	4340mm aluminium boom
803XA-0410	6350mm aluminium boom
803XA-0430	Luminous red/green LED crown
G02807	Boom support post
803XA-0020	LED Strip For 4m Boom
803XA-0190	LED connector
G02809	Pack of 20 red, reflective, adhesive strips
DIR10	Pair of safety photocells
RGSM001S	GSM Gateway module with built in radio, to be used with CAME CONNECT
1NCE	RGSM cloud connectivity kit

TECHNICAL INFO:



Dimensions in: mm		GT8 BARRIER UNIT
ELECTRICAL DATA		GT8
MOTOR SUPPLY		230VAC 50/60 HZ
POWER SUPPLY		24VDC
CURRENT		1.1MA
PERFORMANCE DATA		
OPENING TIME @ 90° (S)		4 - 8
TORQUE (NM)		300
WORK CYCLE (CYCLES PER HOUR)		200
DIMENSIONAL & GENERAL DATA		
PROTECTION LEVEL		IP54
WORKING TEMP (°C MIN/MAX)		-20 - +70 (-40 WITH ITEM 001PSRT01)
DIMENSIONS (MM)		482 X 1222 X 249
WEIGHT (KG)		90



CAME GT8-4M BARRIER KIT

- 1 x GGT80AGS Barrier unit
- 1 x 803XA-0400 4.34m aluminium boom
- 1 x G02807 Fixed rest
- 1 x 803XA-0020 LED strip
- 1 x 803XA-0190 LED connector
- 1 x G02809 Reflective strips
- 1 x DIR10 Pair of photocells
- 1 x RGSM001S GSM module
- 1 x 1NCE 500mb sim card



CAME GT8-6M BARRIER KIT

- 1 x GGT80AGS Barrier unit
- 1 x 803XA-0410 6.35m aluminium boom
- 1 x G02807 Fixed rest
- 1 x 803XA-0020 LED strip
- 1 x 803XA-0190 LED connector
- 1 x G02809 Reflective strips
- 1 x DIR10 Pair of photocells
- 1 x RGSM001S GSM module
- 1 x 1NCE 500mb sim card

NEED LOOP DETECTORS OR TIMERS FOR YOUR BARRIER INSTALLATIONS?

See page 98 for details



BFT DAMPY B MANUAL GAS BOLLARDS

These gas-spring rising bollards are designed to offer road access control with an extremely quick and simple operation.

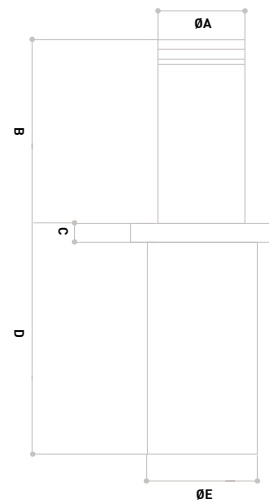
The bollards are operated using special keys, lowered by pushing down and automatically locked into place at the bottom. They can be used in mixed installations to cover wide passages managed by both fixed, electric and gas operated bollards.



DAMPY B MANUAL GAS BOLLARDS

DAMPY B 115-500	Gas spring rising bollard - 115mm diameter - 500mm height
DAMPY B 210-500	Gas spring rising bollard - 210mm diameter - 500mm height
DAMPY B 210-700	Gas spring rising bollard - 210mm diameter - 700mm height

TECHNICAL INFO:



Dimensions in: mm

REFERENCE	A Ø	B	C	D	E Ø
DAMPY B 115-500	115	500	25	593	168
DAMPY B 210-500	210	500	45	756	273
DAMPY B 210-700	210	700	45	1016	273

NEED PRE OR POST SALES TECHNICAL SUPPORT? OUR FRIENDLY TEAM ARE HERE TO HELP

Call us on **0113 201 6677** or email **Info@rollingcenter.co.uk**

SPECIFICATION	DAMPY B MANUAL GAS BOLLARD		
	DAMPY B 115-500	DAMPY B 210-500	DAMPY B 210-700
SHAFT SIZE	Ø115MM - H: 500	Ø220MM - H: 500	Ø220MM - H: 700
SHAFT THICKNESS	4	6	6
IMPACT RESISTANCE (JOULE)	5,000	10,000	10,000
BREAKING RESISTANCE (JOULE)	30,000	60,000	60,000
SHAFT MOVEMENT	INTERNAL GAS SPRING	INTERNAL GAS SPRING	INTERNAL GAS SPRING
SURFACE FINISH (WITH REAR REFLECTING FILM)	RAL 7016	RAL 7016	RAL 7016
SHAFT LOCKING	TRIANGLE KEY	TRIANGLE KEY	TRIANGLE KEY



BFT STOPPY B AUTOMATIC ELECTROMECHANICAL GAS BOLLARDS

These electromechanical bollards are designed to match customer needs for quality at highly competitive prices.

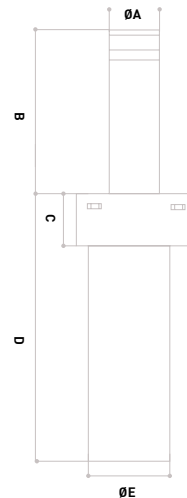
Stoppy B comes in two models: Stoppy B Ø115-500 which has a Ø115 mm, 500 mm high rod and is fitted with a rear-reflecting strip.

The **Stoppy B** Ø200-700, which has a Ø200 mm, 700mm high rod, a light crown and a rear-reflecting strip.

STOPPY B AUTOMATIC ELECTROMECHANICAL BOLLARDS FOR SEMI-INTENSIVE USE

STOPPY B 500 KIT	Automatic rising bollard - 115mm diameter - 500mm height - with Perseo control unit
STOPPY B 700 KIT	Automatic rising bollard - 220mm diameter - 700mm height - with Perseo control unit
SPARES & ACCESSORIES	
STOPPY B 115-500	Automatic rising bollard - 115mm diameter - 500mm height
STOPPY B 220-700	Automatic rising bollard - 220mm diameter - 700mm height
PERSEO	230v control unit for STOPPY bollards - supports up to 4 bollards
ALLU	Power supply for STOPPY light crown
MITTO	2 button transmitters

TECHNICAL INFO:



Dimensions in: mm

STOPPY B AUTOMATIC ELECTROMECHANICAL BOLLARD

REFERENCE	A Ø	B	C	D	E Ø
STOPPY B 115-500	115	490	115	965	190
STOPPY B 200-700	200	700	115	1180	273

SPECIFICATION	STOPPY B AUTOMATIC ELECTROMECHANICAL BOLLARD	
	STOPPY B 115-500	STOPPY B 220-700
SHAFT SIZE	Ø115MM - H: 500	Ø200MM - H: 700
RIISING TIME (SEC)	7	9
CONTROL UNIT	PERSEO 230VAC 12A MAX	PERSEO 230VAC 12A MAX
LIMIT SWITCH	REED MAGNETIC SENSOR	REED MAGNETIC SENSOR
BREAKING RESISTANCE (JOULE)	6,000	6,000
LOCK	ELECTRIC BRAKE	ELECTRIC BRAKE
DUTY CYCLE	500 PER DAY	500 PER DAY
OPERATING TEMP (°C MIN/MAX)	-20 - +60	-20 - +60

**NEED REMOTE
MANAGED
ACCESS
CONTROL?**

**CHECK OUT THE
PAL ELECTRONICS
RANGE.**

See page 98 for details



BFT STOPPY MBB AUTOMATIC ELECTROMECHANICAL GAS BOLLARDS

These electromechanical bollards have an internal oil-bath gear motor which gives them a higher usage capability.

Stopyy-MBB is designed to work in the most extreme conditions, thanks to the metal parts being cathaphoresis treated, and the new EPDM seal integrated in the flange.

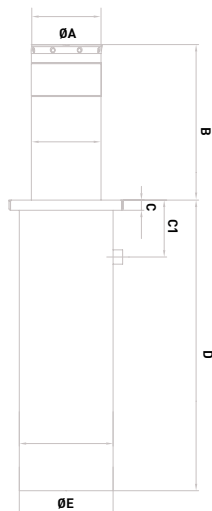
The LED light cap fits perfectly into the floor flange with the shaft lowered, drastically reducing the ingress of debris into the casing.



STOPPY MBB AUTOMATIC ELECTROMECHANICAL BOLLARDS FOR INTENSIVE USE

STOPPY MBB 500 KIT	Automatic rising bollard - 219mm diameter - 500mm height - with Perseo control unit
STOPPY MBB 700 KIT	Automatic rising bollard - 219mm diameter - 700mm height - with Perseo control unit
SPARES & ACCESSORIES	
STOPPY MBB 219-500	Automatic rising bollard - 219mm diameter - 500mm height
STOPPY MBB 219-700	Automatic rising bollard - 219mm diameter - 700mm height
PERSEO	230v control unit for STOPPY bollards - supports up to 4 bollards
ALLU	Power supply for STOPPY light crown
MITTO	2 button trnasmitters

TECHNICAL INFO:



STOPPY MBB AUTOMATIC ELECTROMECHANICAL BOLLARD						
REFERENCE	A Ø	B	C	C1	D	E Ø
STOPPY MBB 219-500	219	490	32	180	915	295
STOPPY MBB 219-700	219	700	32	180	1165	295

SPECIFICATION	STOPPY MBB AUTOMATIC ELECTROMECHANICAL BOLLARD	
	STOPPY MBB 219-500	STOPPY MBB 219-700
SHAFT SIZE	Ø219MM - H: 500	Ø219MM - H: 700
RISING TIME (SEC)	6	9
CONTROL UNIT	PERSEO 230VAC 12A MAX	PERSEO 230VAC 12A MAX
IMPACT RESISTANCE (JOULE)	10,500	10,500
BREAKING RESISTANCE (JOULE)	150,000	150,000
SLOWDOWN	YES	YES
LOCK	ELECTRIC BRAKE	ELECTRIC BRAKE
DUTY CYCLE	INTENSIVE 1500 MANOUVERS/DAY	INTENSIVE 1500 MANOUVERS/DAY

CAN'T SEE WHAT YOU'RE LOOKING FOR?

Our friendly team are here to help.
Call us on **0113 201 6677** or email Info@rollingcenter.co.uk



**BENITO
H6006
RESIDENTIAL
STAINLESS STEEL
HYDRAULIC BOLLARD**

The **Benito** stylish range of hydraulic bollards has an impressive performance of fast raising and lowering speeds of 4 seconds. Designed with maximum security in mind and an impressive impact resistance. Each bollard has a red/green LED light crown with traffic light function to maximise visibility.

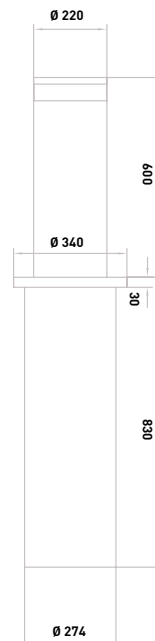
The bollards can be operated by remote control transmitters or various other access control devices.

Control panels can be used to programme and manage up to 2 bollards. Can be used across a wide range of third party control panels for easy intergration.

H6006 230 VAC HYDRAULIC AUTOMATIC BOLLARD

H6006 KIT	Hydraulic automatic rising bollard - 220mm diameter - 600mm height - with BENITOFC
SPARES & ACCESSORIES	
H6006BOLLARD	Residential bollard only 220mm x 600mm stainless steel - 8mm wall
JIPE	Heating kit for Benito bollard
BENITOFC	Foundation case
MC800	Nice 230v control panel and housing
BRAINY	Beninca 230v control panel and housing

TECHNICAL INFO:



H6006 AUTOMATIC HYDRAULIC BOLLARD	
SPECIFICATION	H6006
VOLTAGE	230 VAC 50HZ
CONSUMPTION	600W
MOTOR POWER	300 W (3000 RPM)
SPEED	90 MM/S - 130MM/S
OPERATING TEMP (°C MIN/MAX)	-20 ÷ +80
PROTECTION	IP67
RISE FORCE	1400 NW
IMPACT RESISTANCE	60,000 KJ
TRAFFIC LIGHT FUNCTION	YES
WALL THICKNESS	6MM

**AES COMMERCIAL
ELIG00-K
INGROUND
VEHICLE
DETECTOR**

Turn to page !!!



BENITO H6008 COMMERCIAL STAINLESS STEEL HYDRAULIC BOLLARD

The **Benito** stylish range of hydraulic bollards has an impressive performance of fast raising and lowering speeds of 3-4 seconds. Designed with maximum security in mind and an impressive impact resistance. Each bollard has a red/green LED light crown with traffic light function to maximise visibility.

The bollards can be operated by remote control transmitters or various other access control devices.

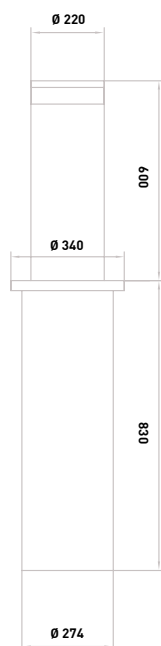
Control panels can be used to programme and manage up to 5 bollards, with customisable options available for up to **10 bollards**



H6008 230 VAC HYDRAULIC AUTOMATIC BOLLARD

H6008 KIT	Hydraulic automatic rising bollard - 220mm diameter - 600mm height - with BENITOFC & BENITOC
SPARES & ACCESSORIES	
H6008BOLLARD	Commercial bollard only 220mm x 600mm stainless steel - 8mm wall
JIPE	Heating kit for Benito bollard
BENITOFC	Foundation case
BENITOC	Control panel

TECHNICAL INFO:



**NEED ASSISTANCE?
CONTACT OUR
TECHNICAL TEAM?**

Call us on
0113 201 6677 or email
Info@rollingcenter.co.uk

H6008 AUTOMATIC HYDRAULIC BOLLARD	
SPECIFICATION	H6008
VOLTAGE	230 VAC 50HZ
CONSUMPTION	750W
MOTOR POWER	300 W (3000 RPM)
SPEED	90 MM/S - 130MM/S
OPERATING TEMP (°C MIN/MAX)	-20 ÷ +80
PROTECTION	IP67
RISE FORCE	1400 NW
IMPACT RESISTANCE	250,00 KJ
TRAFFIC LIGHT FUNCTION	YES
WALL THICKNESS	8MM



**NICE
ERA ON1/2/4**
433MHZ ROLLING
CODE TRANSMITTER

ROLLING CODE TRANSMITTERS

ON1E	1 button 433.92 MHz rolling code - transmitter
ON2E	2 button 433.92 MHz rolling code - transmitter
ON4E	4 button 433.92 MHz rolling code - transmitter
SPARES & ACCESSORIES	
OXIBD	4 channel plug-in 433.92mhz receiver
OX2	2 channel standalone 433.92mhz standalone receiver



**NICE
ERA ON3**
433.92MHZ BI-DIRECTIONAL
ROLLING CODE TRANSMITTER

BI-DIRECTIONAL ROLLING CODE TRANSMITTERS

ON3EBD	3 button 433.92 MHz rolling code - bi-directional transmitter
SPARES & ACCESSORIES	
OXIBD	4 channel plug-in 433.92mhz receiver
OX2	2 channel standalone 433.92mhz standalone receiver



**NICE
INTI**
433.92MHZ ROLLING
CODE TRANSMITTER

ROLLING CODE TRANSMITTERS

INTI1	1 button 433.92 MHz rolling code - transmitter
INTI2	2 button 433.92 MHz rolling code - transmitter
INITKIT	3x 1 button 433.92 MHz rolling code transmitters - OX2 universal standalone receiver
SPARES & ACCESSORIES	
OX2	2 channel standalone 433.92mhz standalone receiver
OXIBD	4 channel plug-in 433.92mhz receiver

**INTI
TRANSMITTERS
AVAILABLE IN
DIFFERENT
COLOURS.**

Please get in touch with your requirements.



**NICE
FLO**
433.92MHZ FIXED CODE
TRANSMITTER



DIP SWITCH TRANSMITTERS

FLO2	2 button 433.92 MHz dip-switch / fixed code transmitter
FLO4	4 button 433.92 MHz dip-switch / fixed code transmitter
SPARES & ACCESSORIES	
OXIBD	4 channel plug-in 433.92mhz receiver
OX2	2 channel standalone 433.92mhz standalone receiver

**BENINCA
TO.GO VA**
433.92MHZ ADVANCED
ROLLING CODE
TRANSMITTER



ADVANCED ROLLING CODE TRANSMITTERS

TO.G02VA	2 button 433.92 MHz advanced rolling code transmitter
TO.G04VA	4 button 433.92 MHz advanced rolling code transmitter
SPARES & ACCESSORIES	
ONE.2WB	2 Channel 433.92 MHz universal receiver

**BENINCA
TO.GO AK**
433.92MHZ ADVANCE
ROLLING CODE & FIXED CODE
TRANSMITTER



ADVANCED ROLLING CODE & FIXED CODE TRANSMITTERS

TO.G02AK	2 button 433.92 MHz advanced rolling code & fixed code transmitter
TO.G04AK	4 button 433.92 MHz advanced rolling code & fixed code transmitter
SPARES & ACCESSORIES	
ONE.2WB	2 Channel 433.92 MHz Universal receiver

**WE STOCK THE
FULL RANGE
OF GATE
AUTOMATION**

See page 7 for details



**NICE
OXIBD**
433.92MHZ BI-DIRECTIONAL
PLUG-IN RECEIVER

BI-DIRECTIONAL PLUG-IN RECEIVER

OXIBD

4 channel plug-in 433.92mhz receiver



**NICE
OX2**
433.92MHZ UNIVERSAL
STANDALONE RECEIVER

UNIVERSAL STANDALONE RECEIVER

OX2

2 channel standalone 433.92mhz standalone receiver



**BENINCA
ONE.2WB**
433.92MHZ
UNIVERSAL RECEIVER

UNIVERSAL RECEIVER

ONE.2WB

2 Channel 433.92 MHz universal receiver

**ROLLING CENTER
WHATSAPP
TECHNICAL?**

Scan
the
QR
code
for
instant
help



'24

2024 TRADE CATALOGUE

GATE HARDWARE
GATE AUTOMATION
ACCESS CONTROL
GATE SAFETY
ALUMINIUM GATES

TEL. 0113 201 6677

SECTION B

SAFETY PRODUCTS

SAFETY PHOTOCELLS	60
PHOTOCCELL POSTS	64
LASER CURTAINS	66
FLASHING LIGHTS	67
FORCE TESTERS	69
SAFETY SIGNS & FALL PROTECTION CABLES	70
SAFETY EDGES & COMPONENTS	71
SAFETY EDGE ACCESSORIES	77
FINGER KEEPERS	77
SAFETY EDGE TRANSMITTERS & RECEIVERS	78
SAFETY EDGES CONTROL	78
INTERFACE RELAYS	81



NICE EPM SYNCHRONISED RELAY TYPE SAFETY PHOTOCELLS



ERA PHOTOCELLS RELAY TYPE

EPM	Relay type photocell - pair for outdoors
EPMO	Relay type photocell - pair for outdoors - 30° adjustable
SPARES & ACCESSORIES	
P0	Photocell mounting bracket
PPH1	ERA Outdoor pair of posts 500mm for medium/large photocells

RELAY TYPE PHOTOCELLS		
ELECTRICAL DATA	EPM	EPMO
POWER SUPPLY	WITHOUT JUMPER 24V AC/DC - WITH JUMPER 12V AC/DC	
CURRENT	RX 25MA - TX 30MA	
PERFORMANCE DATA		
ESTIMATED RANGE (M)	15 (30 WITH JUMPER + "10" CUT)	
ADJUSTABILITY	NONE	30° ON ALL AXES
RELAY RANGE	MAX 500MA AND 48V	
DIMENSIONAL & GENERAL DATA		
PROTECTION LEVEL	IP44	
OPERATING TEMP (°C MIN/MAX)	-20 - +50	
DIMENSIONS (MM)	50 X 29 X 80	50 X 38 X 80
WEIGHT (G)	140	160



NICE EPM SYNCHRONISED BLUEBUS TYPE SAFETY PHOTOCELLS



ERA PHOTOCELLS BLUEBUS TYPE

EPMB	BlueBUS type photocell - pair for outdoors
EPMOB	BlueBUS type photocell - pair for outdoors - 30° adjustable
SPARES & ACCESSORIES	
P0	Photocell mounting bracket
PPH1	ERA Outdoor pair of posts 500mm for medium/large photocells

BLUEBUS TYPE PHOTOCELLS		
ELECTRICAL DATA	EPMB	EPMOB
POWER SUPPLY	POWERED VIA BLUEBUS	
PERFORMANCE DATA		
ESTIMATED RANGE (M)	UP TO 15 FOR OFFSET MAX TX-RX ±5	
ADJUSTABILITY	NONE	30° ON ALL AXES
DIMENSIONAL & GENERAL DATA		
PROTECTION LEVEL	IP44	
OPERATING TEMP (°C MIN/MAX)	-20 ÷ +55	
DIMENSIONS (MM)	50 X 29 X 80	50 X 38 X 80
WEIGHT (G)	140	160

**CLICK & COLLECT
START SAVING
TODAY**

- REGISTER ONLINE
- PLACE AN ORDER
- COLLECT

Visit
www.rollingcenter.co.uk

**WIRED ADJUSTABLE PHOTOCELLS**

F210	Relay type photocell - pair for outdoors - horizontal 210° - vertical 30° adjustable
F210B	BlueBUS type photocell - pair for outdoors - horizontal 210° - vertical 30° adjustable

SPARES & ACCESSORIES

FA1	Vandal resistant cover for F210 wireless photocells
-----	---

ADJUSTABLE PHOTOCELLS

ELECTRICAL DATA	F210	F210B
POWER SUPPLY	WITHOUT JUMPER 24V AC/DC WITH JUMPER 12V AC/DC LIMITS	RX CAN BE CONNECTED TO BLUEBUS NETWORKS
CURRENT	RX 25MA - TX 30MA	1 BLUEBUS UNIT
RELAY RANGE / ESTIMATED RANGE (M)	MAX 500MA AND 48V (F210) / 10 (30 WITH REMOVED JUMPER)	
PERFORMANCE, DIMENSIONAL & GENERAL DATA		
PROTECTION LEVEL	IP44	
OPERATING TEMP (°C MIN/MAX)	-20 - +55	
DIMENSIONS (MM)	46 X 45 X 128	
WEIGHT (G)	230	



**NICE
F210**
ADJUSTABLE
SYNCHRONISED RELAY TYPE
SAFETY PHOTOCELLS

**WIRELESS ADJUSTABLE PHOTOCELLS**

FT210	Relay type - wireless photocell - pair for outdoors - horizontal 210° - vertical 30° adjustable
FT210B	BlueBUS type - wireless photocell - pair for outdoors - horizontal 210° - vertical 30° adjustable

SPARES & ACCESSORIES

FA1	Vandal resistant cover for F210 wireless photocells
FTA1	7ah - 3.6v battery for F210 wireless photocells

ADJUSTABLE WIRELESS PHOTOCELLS

ELECTRICAL DATA	FT210	FT210B
POWER SUPPLY	RX 12/24V AC/DC TX 3.6V LITHIUM BATTERY	RX CAN BE CONNECTED TO BLUEBUS NETWORKS
CURRENT	RX 120MA 12V - TX 70MA 24V / TX 20UA STATIC - 450UA MAX	1 BLUEBUS UNIT - TX 20UA STATIC - 450UA MAX
RELAY RANGE / ESTIMATED RANGE (M)	MAX 500MA AND 48V (FT210) 10 RESIDENTIAL / 15 INDUSTRIAL	
PERFORMANCE, DIMENSIONAL & GENERAL DATA		
PROTECTION LEVEL	IP44	
OPERATING TEMP (°C MIN/MAX)	-20 ÷ +55	
DIMENSIONS (MM)	46 X 45 X 128	
WEIGHT (G)	300	280



**NICE
FT210**
WIRELESS ADJUSTABLE
SYNCHRONISED BLUEBUS
TYPE SAFETY PHOTOCELLS

**WE STOCK A WIDE
RANGE OF AUDIO,
VIDEO, GSM &
WIRELESS
INTERCOMS**

See page **111** for details



**NICE
EPMOR**
REFLECTIVE RELAY TYPE
SAFETY PHOTOCELLS



ERA REFLECTIVE PHOTOCELLS RELAY TYPE

EPMOR

Relay type photocell - reflective - pair for outdoors - horizontal 210° - vertical 30° adjustable

REFLECTIVE TYPE PHOTOCELLS

ELECTRICAL DATA		EPMOR
POWER SUPPLY		12/24V AC/DC
CURRENT		50MA
PERFORMANCE DATA		
ESTIMATED RANGE (M)		8 (MAXIMUM RANGE IN OPTIMAL CONDITIONS 15)
ADJUSTABILITY		APPROX 10° ON ALL AXES
RELAY RANGE		MAX 500MA AND 48V
DIMENSIONAL & GENERAL DATA		
PROTECTION LEVEL		IP44
OPERATING TEMP (°C MIN/MAX)		-20 - +50
DIMENSIONS (MM)		50 X 40 X 105
WEIGHT (G)		160



**BENINCA
PUPILLA**
SYNCHRONISED RELAY TYPE
SAFETY PHOTOCELLS



PHOTOCELLS RELAY TYPE

PUPILLA

Relay type photocell - pair for outdoors - 180° rotational lens adjustable

RELAY TYPE PHOTOCELLS

ELECTRICAL DATA		PUPILLA
POWER SUPPLY		24V AC/DC
CURRENT		TX 40MA (VDC) - 75MA (VAC) - RX 20MA (VDC) - 40MA (VAC)
PERFORMANCE DATA		
ESTIMATED RANGE (M)		20-25
ADJUSTABILITY		180° HORIZONTAL
DIMENSIONAL & GENERAL DATA		
PROTECTION LEVEL		IP44
OPERATING TEMP (°C MIN/MAX)		-20 - +70
DIMENSIONS (MM)		110 X 35 X 35

NICE HIGH-SPEED UNDERGROUND KITS



Turn to page **18**



**BENINCA
PUPILLA**
SYNCHRONISED SOLAR
POWERED TYPE
SAFETY PHOTOCELLS

PHOTOCELLS SOLAR POWERED TYPE

PUPILLA.B

Wireless solar powered photocell - pair for outdoors - 220° rotational lens adjustable

SOLAR POWERED TYPE PHOTOCELLS	
PUPILLA B	
ELECTRICAL DATA	
POWER SUPPLY TRANSMITTER	1.8-5V FROM BATTERY - 2.4V 600MAH X2 AAA
POWER SUPPLY RECEIVER	24V AC/DC
CURRENT TRANSMITTER	0.35MA @ 2.4V
CURRENT RECEIVER	70MA MAX
PERFORMANCE DATA	
ESTIMATED RANGE (M)	20 (30 IN OPTIMAL CONDITIONS)
ADJUSTABILITY	220° HORIZONTAL
SOLAR PANEL	
OVERALL DIMENSIONS	43 X 185 X 12
RECHARGE CURRENT	30MA WITH 50000 LUX (SUN) - 10MA WITH 20000 LUX (VARIABLE WEATHER) - 0.5MA CON 2000 (CLOUDS)
RECHARGE VOLTAGE	4.5V
DURATION OF CHARGE	96H
DIMENSIONAL & GENERAL DATA	
PROTECTION LEVEL	IP44
OPERATING TEMP (°C MIN/MAX)	-10 - +50
DIMENSIONS (MM)	110 X 35 X 35



**JCM TECH
PHOTO360 DB PLUS**
SYNCHRONISED WIRELESS
SAFETY PHOTOCELLS

ADJUSTABLE WIRELESS PHOTOCELLS RELAY TYPE

PHOTO360

Relay type - wireless photocell - pair for outdoors - rotational 180° - angle 30° adjustable

SPARES & ACCESSORIES

PHOTO-DBPLUSBATT

CR 123a replacement battery

WIRELESS TYPE PHOTOCELLS	
PHOTO360DB PLUS	
ELECTRICAL DATA	
POWER SUPPLY TRANSMITTER	3V BATTERY CR123A
POWER SUPPLY RECEIVER	12/24V AC/DC
CURRENT TRANSMITTER	110UA
CURRENT RECEIVER	40MA MAX
OUTPUT CONTACT	FOR SOLID STATE RELAY - (C, NC) MAX 350MA & 40VDC PROTECTED FROM INDUCTIVE LOADS
PERFORMANCE DATA	
ESTIMATED RANGE (M)	10M JPOWER OPEN - 20M JPOWER CLOSE
ADJUSTABILITY	180° HORIZONTAL
DIMENSIONAL & GENERAL DATA	
PROTECTION LEVEL	IP54
OPERATING TEMP (°C MIN/MAX)	-20 - +55
DIMENSIONS (MM)	38 X 103 X 36

**PROCON
MAGNETIC PROBE
LOOP
DETECTOR**

Turn to page **97**



**NICE
PPH**
PHOTOCELLS POSTS FOR
NICE ERA PHOTOCELLS



PHOTOCELL POSTS FOR NICE ERA PHOTOCELLS

PPH1	Aluminium column with protective housing for 1 photocell - 500mm tall
PPH2	Aluminium column with protective housing for 1 photocell - 1000mm tall
TO BE USED WITH	
EPM	Relay type photocell - pair for outdoors
EPM0	Relay type photocell - pair for outdoors - 30° adjustable
EPMB	BlueBUS type photocell - pair for outdoors
EPMOB	BlueBUS type photocell - pair for outdoors - 30° adjustable

**BENINCA
COL.P**
PHOTOCELL POSTS FOR
BENINCA PUPILLA
PHOTOCELLS



PHOTOCELL POSTS FOR BENINCA PUPILLA PHOTOCELLS

COL.P	Aluminium column with protective housing for 1 photocell - 500mm tall
TO BE USED WITH	
PUPILLA B	Wireless solar powered photocell - pair for outdoors - 220° rotational lens adjustable
PUPILLA	Relay type photocell - pair for outdoors - 180° rotational lens adjustable





A series of horizontal dashed lines for writing, spanning the width of the page.



BEA LZR I110 LASER CURTAIN SAFETY SCANNER

The **LZR- I110** works according to the principle of time of flight. This high-precision technology and the dynamic orientation of the LASER beams on 4 planes offer optimal safety in the door threshold and its proximity.

The sensor is adapted to industrial environments and has a max. detection range of 5m x 5 m.



LASER CURTAIN SAFETY SCANNER 5M RANGE

BEALZR110	Safety laser scanner - up to 5m range
SPARES & ACCESSORIES	
BEA LASER BRACKET	Mounting bracket for BEA LZR
BEA REMOTE CONTROL	BEA remote control for BEA LZR

LASER SAFETY CURTAIN	
LZR110	
ELECTRICAL DATA	
POWER SUPPLY	12/24VDC
POWER CONSUMPTION	5W MAX
OUTPUT	2 ELECTRONIC RELAYS (GALVANIC ISOLATION - POLARITY FREE)
MAX SWITCHING VOLTAGE / CURRENT	35VDC - 24VAC - 80MA (RESISTIVE)
PERFORMANCE DATA	
RESPONSE TIME / DETECTION RANGE (M)	TYP. 20MS MAX 80MS / 5 X 5
EMISSION CHARACTERISTICS	LASER INFRARED (CLASS1) - 905NM MAX OUTPUT PULSE POWER 75W
EMISSION CHARACTERISTICS	LASER RED VISIBLE (CLASS 3R) - 650NM MAX OUTPUT CW POWER 3MW
DIMENSIONAL & GENERAL DATA	
PROTECTION LEVEL	IP65
OPERATING TEMP (°C MIN/MAX)	-30 - +60 IF POWERED
DIMENSIONS (MM)	125 X 93 X 70



BEA LZR I100 LASER CURTAIN SAFETY SCANNER

The **LZR-I100** works according to the principle of time of flight. This high-precision technology and the dynamic orientation of the LASER beams on 4 planes offer optimal safety in the door threshold and its proximity.

The sensor is adapted to industrial environments and has a max. detection range of 9.9 m x 9.9 m.



LASER CURTAIN SAFETY SCANNER 10M RANGE

BEALZR100	Safety laser scanner - up to 10m range
SPARES & ACCESSORIES	
BEA LASER BRACKET	Mounting bracket for BEA LZR
BEA REMOTE CONTROL	BEA remote control for BEA LZR

LASER SAFETY CURTAIN	
LZR100	
ELECTRICAL DATA	
POWER SUPPLY	12/24VDC
POWER CONSUMPTION	5W MAX
OUTPUT	2 ELECTRONIC RELAYS (GALVANIC ISOLATION - POLARITY FREE)
MAX SWITCHING VOLTAGE / CURRENT	35VDC - 24VAC - 80MA (RESISTIVE)
PERFORMANCE DATA	
RESPONSE TIME / DETECTION RANGE (M)	TYP. 20MS MAX 80MS / 9.9 X 9.9
EMISSION CHARACTERISTICS	LASER INFRARED (CLASS1) - 905NM MAX OUTPUT PULSE POWER 75W
EMISSION CHARACTERISTICS	LASER RED VISIBLE (CLASS 3R) - 650NM MAX OUTPUT CW POWER 3MW
DIMENSIONAL & GENERAL DATA	
PROTECTION LEVEL	IP65
OPERATING TEMP (°C MIN/MAX)	-30 - +60 IF POWERED
DIMENSIONS (MM)	125 X 93 X 70



**BEA
LZRH100
LASER CURTAIN SAFETY
SCANNER**

The **LZR-H100** laser safety scanner offers a real alternative to induction loops: time gain during installation, detection of all types of vehicles and greater adaptability. This laser sensor for rising barriers is used to open, secure and/or detect a presence.

It offers great flexibility in defining the width and depth of the detection zones (max detection field of 9.9 m x 9.9 m).

LASER CURTAIN SAFETY SCANNER 10M RANGE

BEALZH100 Safety laser scanner - up to 10m range

SPARES & ACCESSORIES

BEA LASER BRACKET	Mounting bracket for BEA LZR
BEA REMOTE CONTROL	BEA remote control for BEA LZR

LASER SAFETY CURTAIN	
LZRH100	
ELECTRICAL DATA	
POWER SUPPLY	12/24VDC
POWER CONSUMPTION	5W MAX
OUTPUT / INPUT	2 ELECTRONIC RELAYS / 1 OPTOCOUPLER (GALVANIC ISOLATION - POLARITY FREE)
MAX SWITCHING VOLTAGE / CURRENT	35VDC - 24VAC - 80MA
PERFORMANCE DATA	
RESPONSE TIME / DETECTION RANGE (M)	TYP. 20MS MAX 80MS / 5 X 5
DIMENSIONAL & GENERAL DATA	
PROTECTION LEVEL	IP65
OPERATING TEMP (°C MIN/MAX)	-30 - +60 IF POWERED - -10 - +60 UNPOWERED
DIMENSIONS (MM)	125 X 93 X 70



**NICE
WLTL
MULTI-FUNCTIONAL
LED INDICATOR LIGHT**

MULTIFUNCTIONAL NEUTRAL LED INDICATOR

WLTL 12/24v ac/dc - LED indicator light - neutral



**NICE
EL
FLASHING LED SIGNAL LIGHT
WITH BUILT-IN AERIAL**

FLASHING NEUTRAL LED SIGNAL LIGHT

ELAC	230v - LED flashing signal light - neutral - built-in aerial - IP44
ELDC	24v - LED flashing signal light - neutral - built-in aerial - IP44



**BENINCA
LAMPY**
FLASHING LED SIGNAL LIGHT
WITH BUILT-IN AERIAL



FLASHING YELLOW LED SIGNAL LIGHT

LAMPY

12-255v - LED flashing signal light - yellow - built-in aerial



**BENINCA
IRI.LAMP**
FLASHING LED SIGNAL LIGHT
WITH BUILT-IN AERIAL



FLASHING NEUTRAL LED SIGNAL LIGHT

IRI.LAMP

12-255v - LED flashing signal light - neutral - built-in aerial



**BENINCA
IRI.LAMP-Y**
YELLOW FLASHING LED
SIGNAL LIGHT WITH
BUILT-IN AERIAL



FLASHING YELLOW LED SIGNAL LIGHT

IRI.LAMP-Y

12-255v - LED flashing signal light - yellow - built-in aerial



**MICROTRONICS
BLUEFORCE**
FORCE TESTER KIT WITH
BRACKET ARM-SET

GATE FORCE TESTER

BLUEFORCE

Force testing instruments for automatic gates and doors

FORCE TESTER	
KMG LITE	
ELECTRICAL DATA	
POWER SUPPLY	9V ALKALINE BATTERY
PERFORMANCE DATA	
MEMORY CAPACITY	80 TESTS
FORCE ACQ	INTERVAL 6 SEC - SAMPLING AT 1KHZ
FORCE MEASUREMENT RANGE	0-200N (MECHANICAL STOP AT APPROX 2100N)
FORCE MEASUREMENT RESOLUTION	1N
BLE INTERFACE	BLUETOOTH VERSION 4.1
USB INTERFACE	V.2.0 SPECIFICATION COMPLIANT
DIMENSIONAL & GENERAL DATA	
DIMENSIONS (MM)	280 X 80 X 50
WEIGHT (KG)	1.6



**GTE
KMG LITE**
FORCE TESTER KIT

GATE FORCE TESTER

KMG LITE-BT

Force testing instruments for automatic gates and doors

SPARES & ACCESSORIES

KMG LITE ARMS

Spacer arm-set, robust measurement tripod, distance pieces.

FORCE TESTER	
KMG LITE	
ELECTRICAL DATA	
POWER SUPPLY	3X 1.5V - AA BATTERIES
CURRENT	25MA
BATTERY DUTY	> 100 HOURS
PERFORMANCE DATA	
MEASUREMENT RANGE	25N - 1600N
MEASUREMENT ACCURACY	TYP ±0.4% OF 2000N @ T=20°C
SPRING RATE (MECH. FILTER)	500 N/MM
DIMENSIONAL & GENERAL DATA	
WORKING TEMP (°C MIN/MAX)	0 - +40
PLATE DIMENSIONS (MM)	80Ø HEIGHT 50
DIMENSIONS (MM)	250 X 80 X 50
WEIGHT (KG)	1

**DID YOU KNOW WE
OFFER A
FORCETESTER
CALIBRATION
SERVICE?**

Speak with our sales team
for more information on
0113 201 6677 or email
Info@rollingcenter.co.uk



**ROLLING CENTER
MG GATE SAFETY SIGN**
SAFETY SIGN FOR SWING &
SLIDING GATE AUTOMATION



GATE SAFETY WARNING SIGN FOR SWING AND SLIDING GATES

MG SIGN	Caution moving gate sign - 200 x 250mm - 1mm rigid PVC
MG SIGN DNU	Danger unsafe gate sign - 200 x 250mm - 1mm rigid PVC

**ROLLING CENTER
CAVO**
FALL PROTECTION CABLE



FALL PROTECTION CABLE

CAVO 1	Fall protection cable - 300mm length - 9mm diameter cable - M12 bar 180mm
CAVO 2	Fall protection cable - 500mm length - 9mm diameter cable - M12 bar 180mm
CAVO 3	Fall protection cable - 700mm length - 9mm diameter cable - M12 bar 180mm

WE ARE DISTRIBUTORS OF LOCINOX PRODUCTS



DID YOU KNOW?

WHETHER YOU REQUIRE MECHANICAL LOCKS, SLIDING OR SWING GATE LOCKS OR GATE CLOSERS. WE CAN SUPPLY THE WHOLE RANGE AT VERY COMPETITIVE PRICES

PLEASE CONTACT US WITH YOUR REQUIREMENTS - 0113 201 6677



**ASO
SKL-15-10 KS2
GATE SAFETY EDGES**

The **SENTIR KS4 15.10** edge safety edges of ASO Safety Solutions are pressure-sensitive sensors applied to ensure the safety of closing edges at potential crushing or shearing points which are prone to accidents.

They may be installed in the case of automatic gates, machines and other facilities for handling equipment or moving stage elements in order to protect individuals from bodily harm or machinery from damage.

KS2 15MM THROUGH & END RESISTIVE EDGES

ASO1.0M/15MM/E/EDGE	ASO 1m 15mm resistive end edge
ASO1.0M/15MM/T/EDGE	ASO 1m 15mm resistive through edge
ASO1.5M/15MM/E/EDGE	ASO 1.5m 15mm resistive end edge
ASO1.5M/15MM/T/EDGE	ASO 1.5m 15mm resistive through edge
ASO2.0M/15MM/E/EDGE	ASO 2.0m 15mm resistive end edge
ASO2.0M/15MM/T/EDGE	ASO 2.0m 15mm resistive through edge
ASO2.5M/15MM/E/EDGE	ASO 2.5m 15mm resistive end edge
ASO2.5M/15MM/T/EDGE	ASO 2.5m 15mm resistive through edge

SENTIR EDGE 15-10TT SAFETY EDGE PROFILE	
15-10TT	
DIMENSIONAL & GENERAL DATA	
MATERIAL	TPE (THERMOPLASTIC ELASTOMERS)
WEIGHT (KG/M)	0.10
PROTECTION LEVEL	IP65
ABSORPTION SWITCHING CYCLES	10,000
SWITCHING ANGLES	2 X 20°
ACTUATION RESISTANCE	≤ 500 OHM
ELECTRICAL CAPACITY	24V 10MA
OPERATING TEMP (°C MAX/MIN)	-10 - +55
MAX TEMP RANGE (°C MAX/MIN)	-25 - +75
MAX LENGTH OF CONNECTED EDGES	100M
CONNECTION CABLES	LIY11Y 2X0.34MM
DIMENSIONS (MM)	15.5 X 9.1

**ASO
KS2 SKL-15-10
SAFETY EDGE
COMPONENTS**



KS2 15MM SAFETY EDGE COMPONENTS

SKL15-10 TT	SKL15 10TT rubber profile for 8.2Kohm resistive safety edges
KS2L2.5	KS2 2.5 meter cable
KS2W	KS2W connector with 8.2k Ohm resistor
AL15-9	Aluminium profile for SKL15-10 (per meter)

WE STOCK A WIDE RANGE OF ASO SAFETY PRODUCTS WE SUPPLY MADE TO MEASURE EDGES & COMPONENTS AT COMPETITIVE PRICES

Please get in touch with your requirements.



ASO GF15.25TT KS4 GATE SAFETY EDGES

The **SENTIR KS4 15.25** edge safety edges of ASO Safety Solutions are pressure-sensitive sensors applied to ensure the safety of closing edges at potential crushing or shearing points which are prone to accidents.

They may be installed in the case of automatic gates, machines and other facilities for handling equipment or moving stage elements in order to protect individuals from bodily harm or machinery from damage.



KS4 24MM THROUGH & END RESISTIVE EDGES

AS01.0M/24MM/E/EDGE	ASO 1m 24mm resistive end edge
AS01.0M/24MM/T/EDGE	ASO 1m 24mm resistive through edge
AS01.5M/24MM/E/EDGE	ASO 1.5m 24mm resistive end edge
AS01.5M/24MM/T/EDGE	ASO 1.5m 24mm resistive through edge
AS02.0M/24MM/E/EDGE	ASO 2.0m 24mm resistive end edge
AS02.0M/24MM/T/EDGE	ASO 2.0m 24mm resistive through edge
AS02.5M/24MM/E/EDGE	ASO 2.5m 24mm resistive end edge
AS02.5M/24MM/T/EDGE	ASO 2.5m 24mm resistive through edge

SENTIR EDGE 15-25TT SAFETY EDGE PROFILE

DIMENSIONAL & GENERAL DATA		15-25TT
MATERIAL	TPE (THERMOPLASTIC ELASTOMERS)	
WEIGHT (KG/M)	0.21	
PROTECTION LEVEL	IP67	
ABSORPTION SWITCHING CYCLES	10,000	
SWITCHING ANGLES	2 X 45°	
ACTUATION RESISTANCE	≤ 500 OHM	
ELECTRICAL CAPACITY	24V 10MA	
OPERATING TEMP (°C MAX/MIN)	-10 - +50	
MAX TEMP RANGE (°C MAX/MIN)	-25 - +75	
MAX LENGTH OF CONNECTED EDGES	100M	
CONNECTION CABLES	LY11Y 2X0.34MM ²	
DIMENSIONS (MM)	15.5 X 23.5	

ASO GF15.25TT SAFETY EDGE COMPONENTS



KS4 24MM SAFETY EDGE COMPONENTS

GF15.25TT	GF15.25TT rubber profile for 8.2Kohm resistive safety edges
KS4L2.5M-15.25-SET	KS4 2.5 meter cable
KS4W-15.25-SET	KS4 resistor plug 8.2Kohm
AL15-9	Aluminium profile for GF15.25TT

LOOKING FOR SWING GATE HARDWARE?

See page **180** for details



**ASO
GF25.30TT KS4
GATE SAFETY EDGES**

The **SENTIR KS4 25.30** edge safety edges of ASO Safety Solutions are pressure-sensitive sensors applied to ensure the safety of closing edges at potential crushing or shearing points which are prone to accidents.

They may be installed in the case of automatic gates, machines and other facilities for handling equipment or moving stage elements in order to protect individuals from bodily harm or machinery from damage.

KS4 30MM THROUGH & END RESISTIVE EDGES

AS01.0M/30MM/E/EDGE	ASO 1m 30mm resistive end edge
AS01.0M/30MM T/EDGE	ASO 1m 30mm resistive through edge
AS01.5M/30MM/E/EDGE	ASO 1.5m 30mm resistive end edge
AS01.5M/30MM/T/EDGE	ASO 1.5m 30mm resistive through edge
AS02.0M/30MM/E/EDGE	ASO 2.0m 30mm resistive end edge
AS02.0M/30MM/T/EDGE	ASO 2.0m 30mm resistive through edge
AS02.5M/30MM/T/EDGE	ASO 2.5m 30mm resistive end edge
AS02.5M/30MM/E/EDGE	ASO 2.5m 30mm resistive through edge

SENTIR EDGE 25.30TT SAFETY EDGE PROFILE	
25.30TT	
MATERIAL	TPE (THERMOPLASTIC ELASTOMERS)
WEIGHT (KG/M)	0.34
PROTECTION LEVEL	IP67
ABSORPTION SWITCHING CYCLES	10,000
SWITCHING ANGLES	2 X 45°
ACTUATION RESISTANCE	≤ 500 OHM
ELECTRICAL CAPACITY	24V 10MA
OPERATING TEMP (°C MAX/MIN)	-10 - +50
MAX TEMP RANGE (°C MAX/MIN)	-25 - +75
MAX LENGTH OF CONNECTED EDGES	100M
CONNECTION CABLES	LIY11Y 2X0.34MM²
DIMENSIONS (MM)	25 X 30



**ASO
GF25.30TT KS4
SAFETY EDGE COMPONENTS**

KS4 30MM SAFETY EDGE COMPONENTS

GF25.30TT	GF25.30TT rubber profile for 8.2Kohm resistive safety edges
KS4L2.5-25.30-SET	KS4 2.5 meter cable
KS4W8K2-25.30	KS4 resistor plug 8.2Kohm
AL25-14	Aluminium profile for GF25.30TT

**NEED ASSISTANCE?
CONTACT OUR
TECHNICAL TEAM?**

Call us on
0113 201 6677 or email
Info@rollingcenter.co.uk



ASO GEF45.ST KS4 GATE SAFETY EDGES

The **SENTIR KS4 45.ST** edge safety edges of ASO Safety Solutions are pressure-sensitive sensors applied to ensure the safety of closing edges at potential crushing or shearing points which are prone to accidents.

They may be installed in the case of automatic gates, machines and other facilities for handling equipment or moving stage elements in order to protect individuals from bodily harm or machinery from damage.



KS4 45MM THROUGH & END RESISTIVE EDGES

AS01.0M/45MM/E/EDGE	ASO 1m 45mm resistive end edge
AS01.0M/45MM/T/EDGE	ASO 1m 45mm resistive through edge
AS01.5M/45MM/E/EDGE	ASO 1.5m 45mm resistive end edge
AS01.5M/45MM/T/EDGE	ASO 1.5m 45mm resistive through edge
AS02.0M/45MM/E/EDGE	ASO 2.0m 45mm resistive end edge
AS02.0M/45MM/T/EDGE	ASO 2.0m 45mm resistive through edge
AS02.5M/45MM/E/EDGE	ASO 2.5m 45mm resistive end edge
AS02.5M/45MM/T/EDGE	ASO 2.5m 45mm resistive through edge

SENTIR EDGE 45.ST SAFETY EDGE PROFILE	
DIMENSIONAL & GENERAL DATA	45.ST
MATERIAL	TPE (THERMOPLASTIC ELASTOMERS)
WEIGHT (KG/M)	0.35
PROTECTION LEVEL	IP67
ABSORPTION SWITCHING CYCLES	10,000
SWITCHING ANGLES	2 X 45°
ACTUATION RESISTANCE	≤ 500 OHM
ELECTRICAL CAPACITY	24V 10MA
OPERATING TEMP (°C MAX/MIN)	-10 - +50
MAX TEMP RANGE (°C MAX/MIN)	-25 - +75
MAX LENGTH OF CONNECTED EDGES	100M
CONNECTION CABLES	LY11Y 2X0.34MM ²
DIMENSIONS (MM)	35 X 45

ASO GEF45.ST KS4 SAFETY EDGE COMPONENTS



KS4 45MM SAFETY EDGE COMPONENTS

GEF45.ST	GEF45.ST rubber profile for 8.2Kohm resistive safety edges
KS4L2.5M-45-SET	KS4 2.5 meter cable
KS4W-45-SET	KS4 resistor plug 8.2Kohm
AL30-10	Aluminium profile for GEF45.ST

**BENINCA RF
WIRELESS
CONTROLLER**



Turn to page !!!



**ASO
GEF65.ST KS4
GATE SAFETY EDGES**

The **SENTIR KS4 65.ST** edge safety edges of ASO Safety Solutions are pressure-sensitive sensors applied to ensure the safety of closing edges at potential crushing or shearing points which are prone to accidents.

They may be installed in the case of automatic gates, machines and other facilities for handling equipment or moving stage elements in order to protect individuals from bodily harm or machinery from damage.

KS4 65MM THROUGH & END RESISTIVE EDGES

ASO1.0M/65MM/E/EDGE	ASO 1m 65mm resistive end edge
ASO1.0M/65MM/T/EDGE	ASO 1m 65mm resistive through edge
ASO1.5M/65MM/E/EDGE	ASO 1.5m 65mm resistive end edge
ASO1.5M/65MM/T/EDGE	ASO 1.5m 65mm resistive through edge
ASO2.0M/65MM/E/EDGE	ASO 2.0m 65mm resistive end edge
ASO2.0M/65MM/T/EDGE	ASO 2.0m 65mm resistive through edge
ASO2.5M/65MM/E/EDGE	ASO 2.5m 65mm resistive end edge
ASO2.5M/65MM/T/EDGE	ASO 2.5m 65mm resistive through edge

SENTIR EDGE 65.ST SAFETY EDGE PROFILE	
65.ST	
DIMENSIONAL & GENERAL DATA	65.ST
MATERIAL	TPE (THERMOPLASTIC ELASTOMERS)
WEIGHT (KG/M)	0.50
PROTECTION LEVEL	IP67
ABSORPTION SWITCHING CYCLES	10,000
SWITCHING ANGLES	2 X 45°
ACTUATION RESISTANCE	≤ 500 OHM
ELECTRICAL CAPACITY	24V 10MA
OPERATING TEMP (°C MAX/MIN)	-10 - +50
MAX TEMP RANGE (°C MAX/MIN)	-25 - +75
MAX LENGTH OF CONNECTED EDGES	100M
CONNECTION CABLES	LIY11Y 2X0.34MM²
DIMENSIONS (MM)	35 X 65



**ASO
GEF65.ST KS4
SAFETY EDGE COMPONENTS**

KS4 65MM SAFETY EDGE COMPONENTS

GEF65.ST	GEF45.ST rubber profile for 8.2Kohm resistive safety edges
KS4L2.5M-65-SET	KS4 2.5 meter cable
KS4W-65-SET	KS4 resistor plug 8.2Kohm
AL30-10	Aluminium profile for GEF65.ST

**NEED ACCESS
CONTROL
SOLUTIONS?**

See page **83** for details



ASO GEF85.ST KS4 GATE SAFETY EDGES

The **SENTIR KS4 85.ST** edge safety edges of ASO Safety Solutions are pressure-sensitive sensors applied to ensure the safety of closing edges at potential crushing or shearing points which are prone to accidents.

They may be installed in the case of automatic gates, machines and other facilities for handling equipment or moving stage elements in order to protect individuals from bodily harm or machinery from damage.



KS4 85MM THROUGH & END RESISTIVE EDGES

AS01.0M/85MM/E/EDGE	ASO 1m 85mm resistive end edge
AS01.0M/85MM/T/EDGE	ASO 1m 85mm resistive through edge
AS01.5M/85MM/E/EDGE	ASO 1.5m 85mm resistive end edge
AS01.5M/85MM/T/EDGE	ASO 1.5m 85mm resistive through edge
AS02.0M/85MM/E/EDGE	ASO 2.0m 85mm resistive end edge
AS02.0M/85MM/T/EDGE	ASO 2.0m 85mm resistive through edge
AS02.5M/85MM/E/EDGE	ASO 2.5m 85mm resistive end edge
AS02.5M/85MM/T/EDGE	ASO 2.5m 85mm resistive through edge

SENTIR EDGE 85.ST SAFETY EDGE PROFILE	
DIMENSIONAL & GENERAL DATA	85.ST
MATERIAL	TPE (THERMOPLASTIC ELASTOMERS)
WEIGHT (KG/M)	0.63
PROTECTION LEVEL	IP65
ABSORPTION SWITCHING CYCLES	10,000
SWITCHING ANGLES	2 X 45°
ACTUATION RESISTANCE	≤ 500 OHM
ELECTRICAL CAPACITY	24V 10MA
OPERATING TEMP (°C MAX/MIN)	-10 - +50
MAX TEMP RANGE (°C MAX/MIN)	-25 - +75
MAX LENGTH OF CONNECTED EDGES	100M
CONNECTION CABLES	LY11Y 2X0.34MM ²
DIMENSIONS (MM)	35 X 85

ASO GEF85.ST KS4 SAFETY EDGE COMPONENTS



KS4 85MM SAFETY EDGE COMPONENTS

GEF85.ST	GEF85.ST rubber profile for 8.2Kohm resistive safety edges
KS4L2.5M-85-SET	KS4 2.5 meter cable
KS4W-85-SET	KS4 resistor plug 8.2Kohm
AL30-10	Aluminium profile for SKL15-10 (per meter)

CAN'T SEE WHAT YOU'RE LOOKING FOR?

Our friendly team are here to help.
Call us on **0113 201 6677** or email Info@rollingcenter.co.uk



**ASO
INDUS
COMPACT MOUNTING
UNIT KIT**

COMPACT MOUNTING KIT FOR SLIDING GATES

INDUSKIT	Compact mounting kit - for sliding gates - up to 20m
ISK71-242	ASO inductive relay controller only
SK32-242	ASO ELMON CAT 3 swing gate controller
SPK55	ASO stationary coil

COMPACT MOUNTING KIT	
ELECTRICAL DATA	INDUS RAIL
POWER SUPPLY	24V AC/DC
CURRENT	85MA MAX180MA
RELAY CONTACT	30V AC/DC 3A
DIMENSIONAL & GENERAL DATA	
PROTECTION	IP20
WORKING TEMP (°C MIN/MAX)	-25 - +55



**AFFKIND
FINGER KEEPER FOR
HINGE GAPS**

BLACK RUBBER FINGER KEEPER FOR GATE HINGES

AFFKINDX	2.5m length - 157mm wide - finger keeper - with aluminium side rail
AFFKINDWB	2.1m length - 260mm wide - finger keeper - with aluminium side rail

DIMENSIONAL & GENERAL DATA	FINGER KEEPER	
	AFFKINDX	AFFKINDWB
DESCRIPTION	STANDARD VERSION - RP62	STANDARD VERSION - RP62
WIDTH (MM)	157	260
LENGTH (MM)	2500	2100
COLOUR VERSION	ALUMINIUM / BLACK	
SEAL LENGTH (MM)	2500	2100
FINISHES	SATIN ALUMINIUM / BLACK EPMD RUBBER	
FIXING METHOD	ZINC PLATED CROSS RECESS HEAD S.T SCREWS - SLOTTED FIXING HOLES - PUSH-IN COVER STRIP	

**AUTOMATION &
HARDWARE
TRAINING
COURSES
AVAILABLE ON
REQUEST**

Call us on
0113 201 6677 for more
details.



BENINCA
SC.RF
WIRELESS SAFETY EDGE
RECEIVER



WIRELESS SAFETY EDGE RECEIVER

SC.RF

2 channel receiver for wireless safety edges - 868mhz

SAFETY EDGE RECEIVER	
SC.RF	
ELECTRICAL DATA	
POWER SUPPLY	12/24V AC/DC
CURRENT	66MA MAX
RELAY CONTACT	24VDC 1A
CHANNELS	2 (4 DEVICES MAX FOR EACH CHANNEL)
PERFORMANCE DATA	
FREQUENCY	868MHZ
NOMINAL RANGE	WITH ANTENNA 100M - WITHOUT ANTENNA 30M
DIMENSIONAL & GENERAL DATA	
PROTECTION	IP30
WORKING TEMP (°C MIN/MAX)	-20 - +50

BENINCA
RF
WIRELESS SAFETY EDGE
TRANSMITTER



WIRELESS SAFETY EDGE TRANSMITTER

RF

Transmitter for wireless safety edge - 2x AA battery powered - 868mhz

**ROLLING CENTER
CANTILEVER
GATE KITS**

Turn to page **216**

SAFETY EDGE TRANSMITTER	
RF	
ELECTRICAL DATA	
POWER SUPPLY	2X 1.5V ALKALINE 2.7AH BATTERIES
OPERATING FREQUENCY	868MHZ
PERFORMANCE DATA	
MAX RANGE IN OPTIMAL CONDITIONS (M)	100
USEFUL RANGE (M)	30
BATTERY LIFE	MAXIMIUM 3 YEARS WITH 10 OPENINGS / DAY
DIMENSIONAL & GENERAL DATA	
DIMENSIONS (MM)	500 X 42 X 45
OPERATING TEMP (°C MIN/MAX)	-20 - +70



**ROLLING CENTER
RB3RX
WIRELESS SAFETY EDGE
RECEIVER**

WIRELESS SAFETY EDGE RECEIVER

RB3RX

4 channel receiver for wireless safety edges - 868/433mhz - up to 4 edges

3G SAFETY EDGE RECEIVER	
RB3RX	
ELECTRICAL DATA	
POWER SUPPLY	12/24V AC/DC
CURRENT	MAX 255MA
PERFORMANCE DATA	
FREQUENCY	868 / 433 MHZ
NOMINAL RANGE (M)	50
MEMORY	6 TRANSMITTERS (3 IN RELAY 1, 3 IN RELAY 2)
RELAY OUTPUTS	3 RELAYS
DIMENSIONAL & GENERAL DATA	
PROTECTION LEVEL	IP54 (IP 65 WITH GLAND SEALS)
WORKING TEMP (°C MIN/MAX)	-40 - +85
BOX DIMENSIONS (MM)	82 X 190 X 40



**ROLLING CENTER
RB3TX
WIRELESS SAFETY EDGE
TRANSMITTER**

WIRELESS SAFETY EDGE TRANSMITTER

RB3TX

4 channel transmitter for wireless safety edges - 868/433mhz - up to 2 edges

3G SAFETY EDGE TRANSMITTER	
RB3TX	
ELECTRICAL DATA	
POWER SUPPLY	2X 3.6VDC ER14500 LI-SOCL LITHIUM BATTERIES
PERFORMANCE DATA	
FREQUENCY	868 / 433 MHZ
NOMINAL RANGE (M)	50
CONTROLS	CONTROLS UP TO 2 SAFETY EDGES ON ONE TRANSMITTER
BATTERY LIFE	APPROX 2 YEARS
DIMENSIONAL & GENERAL DATA	
PROTECTION LEVEL	IP65
WORKING TEMP (°C MIN/MAX)	-20 - +85
BOX DIMENSIONS (MM)	151 X 60 X 23

**NEED ASO SAFETY
EDGES TO MAKE
YOUR GATE
COMPLIANT?**

See page **71** for details



ASO WICOM
WIRELESS SAFETY EDGE TRANSMISSION SYSTEM

The **ELMON** wicom transmission system ensures wireless communication between the moving safety edge on the gate and the control unit.

Based on a **2.4 GHz** radio system, the two-channel transmission system consists of a receiver and a maximum of three transmitters, which are connected to each other by bluetooth.

With permanent self-testing battery and the fastest signal transmission and response times.

Low maintenance thanks to long-life lithium battery. Universal and versatile, for all door applications and all brand control systems.

NEW



WIRELESS SAFETY EDGE TRANSMISSION SYSTEM

81-463SET1 1212-0010

ASO Elmon Wicom Bluetooth Wireless set (1 x Tx 1 x Rx)

81-463SET2 1212-0010

ASO Elmon Wicom Bluetooth Wireless set (2 x Tx 1 x Rx)

SPARES & ACCESSORIES

1212-0030

Bluetooth Elmon Wicom wireless transmitter

1212-0040

Bluetooth Elmon Wicom wireless receiver

1212-0100

Battery for Bluetooth wireless transmitter

ELECTRICAL DATA		1212-0010
POWER SUPPLY		10/30V DC
RANGE		20M
REACTION TIME		40MS
FREQUENCY		2.4GHZ
INPUT / OUTPUT CHANNELS		8K2 / 8K2, NCC
BATTERY LIFETIME (APPROX)		2 YEARS
DIMENSIONAL & GENERAL DATA		
DIMENSIONS (MM)		130 X 94 X 60



BENINCA SC.EN
2 CHANNEL CONTROL INTERFACE RELAY



SAFETY EDGE CONTROL INTERFACE RELAY

SC.EN

2 channel 8.2Kohm interface relay

NEED ASSISTANCE? CONTACT OUR TECHNICAL TEAM?

Call us on 0113 201 6677 or email Info@rollingcenter.co.uk

ELECTRICAL DATA		SC.EN
POWER SUPPLY		12/24V AC/DC
ABSORBED POWER		1W
INPUT CHANNELS		2 INPUTS FOR 8.2K SENSITIVE SAFETY EDGES
OUTPUT CHANNELS		2 OUTPUT CHANNELS WITH NO & NC RELAYS AND SELF TEST CIRCUIT
DIMENSIONAL & GENERAL DATA		
WORKING TEMP (°C MIN/MAX)		-20 - +70

**NICE
TCE**
2 CHANNEL CONTROL
INTERFACE RELAY**SAFETY EDGE CONTROL INTERFACE RELAY**

TCE

2 channel 8.2Kohm interface relay

SAFETY EDGE CONTROL INTERFACE RELAY	
TCE	
ELECTRICAL DATA	
POWER SUPPLY	12/24VDC
CURRENT	24VAC 200MA RMS - 24VDC 50MA
PHOTOTEST INPUT VOLTAGE	SAME AS INPUT VOLTAGE
OUTPUT RELAY CONTACTS	MAX 0.5A AND MAX 48VAC - 1X INPUT / 2X OUTPUT
PERFORMANCE DATA	
ADAPTED TECHNOLOGY	2 CHANNELS WITH WINDOW COMPARATORS AND RELAY OUTPUT
DIMENSIONAL & GENERAL DATA	
PROTECTION LEVEL	IP20
WORKING TEMP (°C MIN/MAX)	-20 - +55
BOX DIMENSIONS (MM)	60 X 59 X 422

'24 24

2024 TRADE CATALOGUE

GATE HARDWARE
GATE AUTOMATION
ACCESS CONTROL
GATE SAFETY
ALUMINIUM GATES

TEL. 0113 201 6677

SECTION C

ACCESS CONTROL

KEYPADS	84
KEYPADS WITH PROXIMITY	87
PROXIMITY READERS	88
GSM SWITCHES	90
INTERGRATED ACCESS CONTROL SOLUTIONS	92
virtual loop detectors	94
VEHICLE DETECTION SYSTEMS	95
GSM SYSTEMS	100
TIMERS	101
RELAYS	102
MAGNETIC PROBE LOOP DETECTORS	103
LOOP DETECTORS	104
EXIT BUTTONS	106
NO TOUCH EXIT BUTTONS	107
KEY SWITCHES	108
POWER SUPPLIES	109
EMERGENCY BUTTONS	111
CABLES	112
ENCLOSURES	113
CONSUMABLES	114
IP ACCSSORIES	115
ARMoured DOOR LOOPS	116
PROGRAMMING UNITS	117



SRS DC60SS STANDALONE DIGITAL KEYPAD

The DC60SS external standalone keypad with illuminated keypad is a very popular easy to install access control keypad, it features 2 relays allowing control of up to 2 systems e.g. car gate and pedestrian gate.

Each unit can use and store up to 108 codes (4-8 digits) with programmable lock time from 0-999 seconds). Each relay has a LED confirmation light.



SURFACE MOUNT STANDALONE KEYPAD

DC60SS	Digital keypad - 2 relays - surface mount - vandal resistant - illuminated keypad
SPARES & ACCESSORIES	
12V-1A-PSU	12v power supply with 1 amp output includes a 2.4m lead and UK plug

SRS DC60SS KEYPAD	
ELECTRICAL DATA	
DC60SS	
POWER SUPPLY	12/24V AC/DC
CURRENT	100mA MAX
OUTPUTS	2X VOLT FREE RELAYS (C, NO, NC) - 1X 5A MAX 1X 1A MAX - @28V DC
INPUTS	EXIT BUTTON INPUT WITH PROGRAMMABLE DELAY
DIMENSIONAL & GENERAL DATA	
PROTECTION LEVEL	IP54
WORKING TEMP (°C MIN/MAX)	-20 - +70
DIMENSIONS UNIT (MM)	125 X 79 X 54



VIDEX 8901 STANDALONE KEYPAD

8901/S or 8901/F – Stainless steel keypads available flush or surface with rain shield. The keypads can be programmed with 3 codes (1 code per relay), with 3 relay outputs which have a switched 0V PTE input for relays 1 and 2 only.

The relays are programmable between 1-99 seconds or 00 for latching mode. Low current keypads which require a 12-24v ac/dc PSU and have blue back-lit buttons with adjustable brightness control.



SURFACE OR FLUSH MOUNT STANDALONE KEYPAD

8901/S	Keypad - 3 codes - 3 relays - surface mount - back lit keypad
8901/F	Keypad - 3 codes - 3 relays - flush mount - back lit keypad
SPARES & ACCESSORIES	
12V-1A-PSU	12v power supply with 1 amp output includes a 2.4m lead and UK plug

VIDEX 8901 KEYPAD	
8901/S & 8901/F	
POWER SUPPLY	12/24V AC/DC
CURRENT	20mA IN STANDBY - 70mA MAX
OUTPUTS	3X VOLT FREE RELAYS (C, NO, NC) - 3A MAX @24V AC/DC
INPUTS	EXIT BUTTON INPUTS FOR RELAYS 1 & 2 ONLY, SWITCHED 0V
DIMENSIONAL & GENERAL DATA	
PROTECTION LEVEL	EXTERNAL USE
WORKING TEMP (°C MIN/MAX)	-10 - +60
DIMENSIONS UNIT (MM)	8901/S 108 X 165 X 60 - 8901/F 103 X 160 X 48



VIDEX MT PAD STANDALONE KEYPAD

Robust IP rated surface standalone coded keypads. The **MTPADS** keypad has a compact low-profile aluminium housing in a silver finish.

With blue back-lit key buttons and numbers for easy viewing. Additional features include 3 indication LED's behind key buttons 1 (green), 2 (red) and 3 (orange) for use during operation and programming.

Standalone coded keypads suit access control of single entrances and only require a 12/24V AC or DC power supply and a lock. They include a dry contact relay output, exit button input and memory for up to 99 codes.

SURFACE MOUNT STANDALONE KEYPAD

MTPAD	Keypad - 1 relay - surface mount - illuminated keypad
-------	---

SPARES & ACCESSORIES

12V-1A-PSU	12v power supply with 1 amp output includes a 2.4m lead and UK plug
------------	---

VIDEX MTPADS KEYPAD	
ELECTRICAL DATA	MTPADS
POWER SUPPLY	12/24V AC/DC
CURRENT	30mA IN STANDBY / 100mA MAX OPERATIONAL
OUTPUTS	1X VOLT FREE RELAY (C, NO, NC) - 2A MAX @12VAC / 24VDC
INPUTS	EXIT BUTTON INPUTS
DIMENSIONAL & GENERAL DATA	
PROTECTION LEVEL	IP65
WORKING TEMP (°C MIN/MAX)	-20 - +50
DIMENSIONS UNIT (MM)	92 X 51 X 27



LOCINOX SLIMSTONE2 SLIMLINE STANDALONE KEYPAD

The new **SlimStone-2** keypad contains two relays for an improved access control and advanced flexibility. It offers the possibility to command 2 different automation devices or to open the gate in 2 different ways i.e. full vehicle open or pedestrian.

This keypad with integrated led lighting is unique thanks to its strength and extreme weather resistance (IP68). In all weather conditions, access control is guaranteed.

Both integrated relays, with a Fail Open and Fail Close contact, allow an easy connection to Locinox and third-party automation products.

SURFACE MOUNT SLIMLINE STANDALONE KEYPAD

SLIMSTONE 2 Z1V	Silver - slimline keypad -2 relays - surface mount - back lit keypad
-----------------	--

SLIMSTONE 2 9005	Black - slimline keypad -2 relays - surface mount - back lit keypad
------------------	---

SPARES & ACCESSORIES

DC POWER	24v 25w Locinox PSU
----------	---------------------

LOCINOX SLIMSTONE2 KEYPAD	
ELECTRICAL DATA	SLIMSTONE2
POWER SUPPLY	10/26V AC/DC
CURRENT	1.0A WITH HEATING
OUTPUTS	2X VOLT FREE RELAYS (C, NO, NC) - 2A MAX @26V AC/DC
INPUTS	2 EXIT BUTTON INPUTS
DIMENSIONAL & GENERAL DATA	
PROTECTION LEVEL	IP68
WORKING TEMP (°C MIN/MAX)	-30 - +80
DIMENSIONS UNIT (MM)	137 X 54 X 23.8



NICE ERA EDSW WIRELESS KEYPAD

Nice **EDSWG** Digital radio selector with FloR 52 bit coding is compatible with FloR with rolling code and generates 4 trillions of combinations, self-learning.

3 transmission channels to control 3 automated systems or 3 different customized commands for the single automated system. No cabling required, estimated range up to 25m outside, 15m indoors.



SURFACE MOUNT STANDALONE WIRELESS KEYPAD

EDSWG

Digital wireless keypad - via radio compatible Flor 3 channel receivers - three codes

NICE EDSWG KEYPAD	
ELECTRICAL DATA	
EDSWG	
POWER SUPPLY	3V DC WITH TYPE CR2032 batteries
BATTERY LIFE	EST 2 YEARS WITH 10 TRANSMISSIONS PER DAY
FREQUENCY	433.92 MHZ ±100 HZ
RADIO CODING	OPERA
DIMENSIONAL & GENERAL DATA	
EST RANGE (M)	100 IN OPEN SPACE, 20 INDOORS
PROTECTION LEVEL	IP54
WORKING TEMP (°C MIN/MAX)	-10 - +55
DIMENSIONS UNIT (MM)	70 X 70 X 27



NICE ERA EDSB WIRED KEYPAD

Nice **EDSB** 12 key burglar resistant digital selectors for connection via Bluebus system for outdoor and recessed installation.



SURFACE MOUNT WIRED KEYPAD - Power via BlueBUS

EDSB

12 key digital keypad - BlueBUS powered - burglar resistant - 3 codes

NICE EDSB KEYPAD	
ELECTRICAL DATA	
EDSB	
POWER SUPPLY	VIA BLUEBUS
CURRENT	1.5 BLUEBUS UITS
DIMENSIONAL & GENERAL DATA	
PROTECTION LEVEL	IP44
DIMENSIONS UNIT (MM)	70 X 70 X 27
WEIGHT (G)	200

SCAN FOR WHATSAPP SALES



SURFACE MOUNT STANDALONE KEYPAD WITH PROXIMITY READER

DC90SS	Standalone digital keypad - with proximity reader - vandal resistant
SPARES & ACCESSORIES	
DC90SS-TAG	SRS blue proxtag 125khz
12V-1A-PSU	12v power supply with 1 amp output includes a 2.4m lead and UK plug

SRS DC90SS
STANDALONE KEYPAD WITH BUILT-IN PROXIMITY

DC90SS is an upgraded version of one of our best selling keypads, the DC60SS. This modern keypad combines digital keypad and proximity reader in one unit.

The **DC90SS** been designed for stand-alone access control applications. The device is vandal resistant and weatherproof.

SRS DC90SS KEYPAD	
ELECTRICAL DATA	DC90SS
POWER SUPPLY	12/24VDC
CURRENT	62MA TO 130MA @ 12VDC - 30MA TO 61MA @ 24VDC
OUTPUTS	2x VOLT FREE RELAY (C, NO, NC), 2A MAX @24VDC
INPUTS	EXIT BUTTON INPUT WITH PROGRAMMABLE DELAY
DIMENSIONAL & GENERAL DATA	
PROTECTION LEVEL	IP65
WORKING TEMP (°C MIN/MAX)	-20 - +70
DIMENSIONS UNIT (MM)	144 X 78 X 29



SURFACE MOUNT STANDALONE DIGITAL KEYPAD WITH PROXIMITY READER

DG500	Standalone digital keypad - with proximity reader
SPARES & ACCESSORIES	
DG500TAG	DG500 proximity tags
12V-1A-PSU	12v power supply with 1 amp output includes a 2.4m lead and UK plug

ROLLING CENTER DG500
STANDALONE KEYPAD WITH BUILT-IN PROXIMITY

The **DG500** standalone keypad has a built-in proximity reader, enabling entry via PIN-codes or cards/fobs. Up to 500 users can be enrolled and assigned to two programmable output relays.

The **DG500** robust metal casing gives a high degree of vandal resistance, and includes a tamper sensor. Variable open time and latching option. Ideal for offices, shops, clubs, etc.

DG500 KEYPAD	
ELECTRICAL DATA	DG500
POWER SUPPLY	12VDC
CURRENT	130MA @ 12V
RELAYS	2X VOLT FREE RELAYS (C, NO, NC) 2A MAX
DIMENSIONAL & GENERAL DATA	
PROXIMITY	EM FORMAT - 26 BIT / 125KHZ
DIMENSIONS UNIT (MM)	120 X 76 27



VIDEX MIACCESS EXTERNAL PROXIMITY READER

The **MTPX-MF-SA** can be programmed with built-in micro-USB function or desktop card enrollment, depending on the version. Events can be downloaded onto master **MIFARE** cards which also could be used to activate and program additional readers on site.



EXTERNAL PROXIMITY READER

MTPXBK-MF-SA	Black MiAccess surface mount proximity reader
SPARES & ACCESSORIES	
PROX USB	Desk programming prox reader
HDR15-12	12vdc 1.25a DIN rail mount power supply unit
PBX-1E-MS50	Grey - MiFare proximity fob - 1k memory
PBX-2-MS70	MiFare proximity card - 4k memory

MTPXBK-MF-SA PROXIMITY READER	
ELECTRICAL DATA	MTPXBK-MF-SA
POWER SUPPLY	12VDC
CURRENT	150mA MAX
OUTPUTS	BUILT-IN VOLT FREE RELAYS (C, NO, NC) 2A MAX @24V
INPUTS	1X EXIT BUTTON INPUT
DIMENSIONAL & GENERAL DATA	
OPERATING FREQUENCY (MHZ)	13.56
PROTECTION LEVEL	IP65
WORKING TEMP (°C MIN/MAX)	-20 - +50
DIMENSIONS UNIT (MM)	92 X 51 X 27



VIDEX MINI SA2 STANDALONE PROXIMITY READER

Mini SA2 – 4000 capacity low profile reader finished in matt black ABS plastic. Three LED's offer visual indication of operation while the internal sounder gives audible feedback. Programming is carried out using shadow and delete cards without the need for a PC or software components.



STANDALONE PROXIMITY READER

MINI-SA2	Standalone proximity reader - EM4002 - 125khz
SPARES & ACCESSORIES	
955/T	EM4002 - 125KHZ - proximity tag
955/C	EM4002 - 125KHZ - proximity card
HDR15-12	12V power supply

MINI SA2 STANDALONE PROXIMITY READER	
ELECTRICAL DATA	MINI SA2
POWER SUPPLY	2/14VDC OR 15/24VAC
CURRENT	60mA (12VDC) OR 40mA (24VDC)
OUTPUTS	1X VOLT FREE RELAY (C, NO, NC) 1A @30VDC - 0.5A @125VAC
INPUTS	1X PUSH TO EXIT INPUT
DIMENSIONAL & GENERAL DATA	
OPERATING FREQUENCY (KHZ)	125
PROTECTION LEVEL	IP66
WORKING TEMP (°C MIN/MAX)	-20 - +50
DIMENSIONS UNIT (MM)	90 X 51 X 17

WE STOCK A WIDE RANGE OF AUDIO, VIDEO, GSM & WIRELESS INTERCOMS

See page **111** for details



A large area of the page is filled with horizontal dashed lines, providing a template for handwritten notes.



GMT GMT4G-SRF GSM SWITCH

The GMT-4GS GSM switch with RF key fob is a professional, industrial grade product that can receive calls just like any ordinary mobile phone but allows you to operate your gates remotely.

The advantages of this GSM remote switch over other systems is that you do not have to leave the car to open gates, barriers or rising bollards thus avoiding adverse weather conditions or anything that could cause concern over safety issues.



4G GSM DIALLER

GMT4G-SRF	4G GSM dial to open - store up to 60 caller id's
SPARES & ACCESSORIES	
12V-1A-PSU	12v power supply with 1 amp output includes a 2.4m lead and UK plug

ELECTRICAL DATA		GSM DIALLER	
POWER SUPPLY		12/24VDC	
OUTPUTS		1X VOLT FREE RELAY (NO)	
DIMENSIONAL & GENERAL DATA			
PROTECTION LEVEL		IP 65	
CALLED ID'S		60	
DIMENSIONS (MM)		150 X 90 X 45	

AES IGATE WIFI WIFI GSM SWITCH

Enhance connectivity with this user-friendly IP solution. Seamless 2.4GHz WiFi connection within 50+ meters range. App controlled no SIM required. Simplify setup and boost performance with our compact, versatile WiFi Connectivity Solution.

NEW



WIFI GSM DIALLER - NO SIM REQUIRED - APP CONTROLLED

I-GATE WIFI	WiFi/IP dial to open - 50m range - store up to 250 caller id's - activity log & time clock
SPARES & ACCESSORIES	
12V-1A-PSU	12v power supply with 1 amp output includes a 2.4m lead and UK plug

ELECTRICAL DATA		GSM DIALLER	
POWER SUPPLY		I-GATE WIFI	
CURRENT		12-24V AC/DC	
OUTPUTS		STANDBY 25MA IN USE 80MA	
		N/O, N/C & COM	
DIMENSIONAL & GENERAL DATA			
FEATURES		WIFI CONNECTIVITY RANGE 50M - ELOOP INTEGRATION	
PROTECTION LEVEL		IP 67	
CALLED ID'S		250	
DIMENSIONS IGATE (MM)		110 X160 X 54	
DIMENSIONS RELAY (MM)		90 X 53 X 57	

NICE HIGH-SPEED UNDERGROUND KITS

Turn to page 18



AES I-GATE PRIME GSM SWITCH

This GSM dial to open device can be used for controlling access of gates, doors or barriers. The unit can store up to 250 numbers and any of these numbers can call the unit which then activates and output relay to open a gate or a barrier.

This device is ideal for small to medium size buildings with gate or barrier entrance.

Programming the unit is done by SMS text message; with options to check the reception add numbers for access and add a service number.

This device comes with an App which is compatible with both Apple and Android devices and can be downloaded from your App store, simply search GSM-Gate.

GSM DIALLER

I-GATE PRIME	GSM dial to open - store up to 250 caller id's - activity log & time clock
SPARES & ACCESSORIES	
12V-1A-PSU	12v power supply with 1 amp output includes a 2.4m lead and UK plug

GSM DIALLER	
I-GATE PRIME	
ELECTRICAL DATA	
POWER SUPPLY	12-24V AC/DC
CURRENT	200MA MAX
OUTPUTS	1X RELAY (C, NO, NC) LATCHING & MOMENTARY - 1X VOLT FREE REPLAYS (C, NO, NC) 1A MAX @24VAC
DIMENSIONAL & GENERAL DATA	
FEATURES	ACTIVITY LOG - 7 DAY CLOCK - AUTO CALL FEATURE (PREVENTS SIM BEING DEACTIVATED)
PROTECTION LEVEL	IP 67
CALLED ID'S	250
DIMENSIONS (MM)	110 X160 X 54



AES I-GATE 1200 PLUS GSM SWITCH

This GSM device can be used for controlling access of gates, doors or barriers. The unit can store up to 1200 numbers and any of these numbers can call the unit which then activates and output relay to open a gate or a barrier.

This device is ideal for small to medium size buildings with gate or barrier entrance.

Programming the unit is done by SMS text message; with options to check the reception add numbers for access and add a service number.

This device comes with an App which is compatible with both Apple and Android devices and can be downloaded from your App store, simply search GSM-Gate.

GSM DIALLER

I-GATE 1200 PLUS	GSM dial to open - store up to 1200 caller id's
SPARES & ACCESSORIES	
12V-1A-PSU	12v power supply with 1 amp output includes a 2.4m lead and UK plug

GSM DIALLER	
I-GATE 1200 PLUS	
ELECTRICAL DATA	
POWER SUPPLY	12-24V AC/DC
CURRENT	200MA MAX
OUTPUTS	1X RELAY (C, NO, NC) LATCHING & MOMENTARY - 1A MAX @24VAC
DIMENSIONAL & GENERAL DATA	
FEATURES	AUTO CALL FEATURE (PREVENTS SIM BEING DEACTIVATED)
PROTECTION LEVEL	IP 67
CALLED ID'S	1200
DIMENSIONS (MM)	110 X160 X 54



NEW

PAL SPIDER SG30-4 3G / 4G GSM SMART DEVICE

4G network system that opens automatic gates, garage doors, electric locks and barriers via an application and an Internet interface.



GSM SPIDER DEVICE - APP / WEB BASED USER INTEGRATION

SPIDER 50	12-24vdc - 1x relay output C, NO 60v/0.9a - 1x input - 3/4G - 50 app users
SPIDER I	12-24vdc - 2x relay output C, NO 60v/0.9a - 3/4G - unlimited app users
SPIDER B	12-24vdc - 1x relay output C, NO 60v/0.9a - 1x input - 3/4G - unlimited app users



NEW

PAL SPIDER SG30-4-WR 3G / 4G GSM SMART DEVICE & WIRELESS RECEIVER

4G network system that opens automatic gates, garage doors, electric locks and barriers via an application and an Internet interface.



GSM SPIDER DEVICE & WIRELESS RECEIVER - APP / WEB BASED USER INTEGRATION

SPIDER I-WRL	12-24vdc - 1x relay output C, NO 60v/0.9a - 1x input - - 3/4G - with receiver - 3 app users
SPIDER I-WR	12-24vdc - 2x relay output C, NO 60v/0.9a - 3/4G - with receiver - unlimited app users
SPIDER B-WR	12-24vdc - 1x relay output C, NO 60v/0.9a - 1x input - - 3/4G - with receiver - unlimited app users
SPIDER WIEGAND	12-24vdc - 1x relay output C, NO 60v/0.9a - 1x input - - 3/4G - with receiver - unlimited app users can be used with any WIEGAND 26bit readers / proximity

"Palgate" Mobile App

Control and open gates/doors with free "Palgate" application using Bluetooth or 3G encrypted connection.

Easy control from anywhere in the world is now in your hands.

THE APP FEATURES

- Add/delete users from the app/web interface
- Unlimited users without subscription
- Control from anywhere in the world
- Online logs, alerts be Email, SMS, API
-



DOWNLOAD NOW "Palgate"





PAL SG33-3GA
3G / 4G RFID LONG RANGE SYSTEM

Easy installation. System control and management with simple web interface. Unlimited authorized users (stickers) groups for access control by time, days and dates. Records at least 10000 tag numbers in an internal log. Support all 3G/4G Networks. 1 optical solid state relay output. 3 Indication LED's.

3G / 4G RFID LONG RANGE READER SYSTEM

SG33-3GA	12vdc - RFID management systems - RFID antenna - RFID assembly
SPARES & ACCESSORIES	
SG33-40A-I	12vdc - RFID management system
ANT1007	RFID antenna
C01009	RFID assembly
BS011	UHF windshield RFID sticker tag



PAL VD909-433
433MHZ WIRELESS VEHICLE DETECTOR

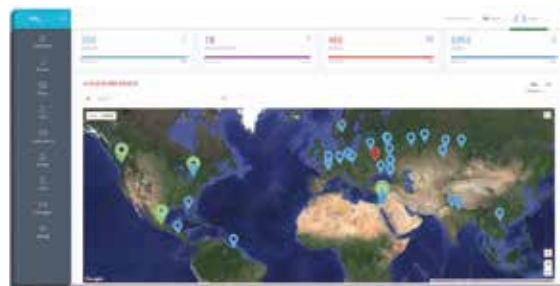
VD 900-433 series, a new wireless compact Vehicle Detector. This innovative detector is Plug and play, all-in-one device that operates at 433MHz, an ideal solution for vehicle detecting in a commercial environment. Includes a web interface that makes it easy to install and use.

433MHZ WIRELESS VEHICLE DETECTOR

VD909-433	3.6vdc battery powered - 433mhz ISM band - holds approx 1000kg
SPARES & ACCESSORIES	
SG304GIL-WR	12-24vdc - 1x relay output C, NO 60w/0.9a - 1x input - - 3/4G - with receiver - 3 app users
SG304GB-WR	12-24vdc - 2x relay output C, NO 60w/0.9a - 3/4G - with receiver - unlimited app users
SG304GI-WR	12-24vdc - 1x relay output C, NO 60w/0.9a - 1x input - - 3/4G - with receiver - unlimited app users
SG314GI-WR	12-24vdc - 1x relay output C, NO 60w/0.9a - 1x input - - 3/4G - with receiver - unlimited app users

FEATURES:

- USER FRIENDLY ONLINE WEB INTERFACE
- LIVE LOGS
- ALERTS BY EMAIL, SMS AND API
- HISTORY LOGS
- IMPORT/EXPORT EXCEL FILES
- STATISTICS
- FULL CONTROL FROM ANYWHERE VIA WEB OR SMARTPHONE
- MULTIPLE LANGUAGES



CONTACT US NOW FOR TRAINING COURSES ON THIS RANGE
Call us on **0113 201 6677** our friendly team are here to help.





OPTEx OVS-02GT VIRTUAL LOOP DETECTION SENSOR

The Optex vehicle sensor detects small and large vehicles within a 1.5m to 8m range. There is no need for civil engineering work, making the installation non disruptive and an ideal replacement to induction loop in areas that are difficult to dig, such as resin driveways, brick paving, public areas and drains. The calibration is done easily with a quick distance and sensitivity adjustment settings.

The above-ground installation on a barrier housing, wall or pole makes it a less invasive solution for many locations where a ground loop is not possible or even allowed. Easy set up and programming via App.

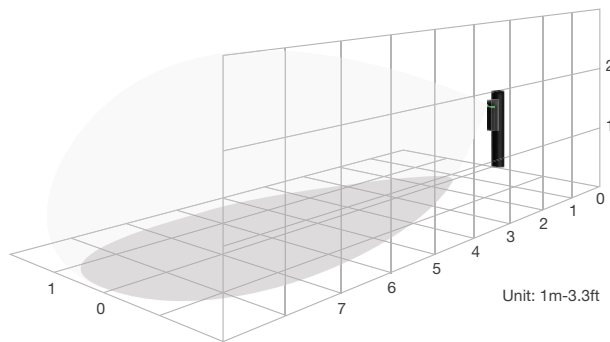
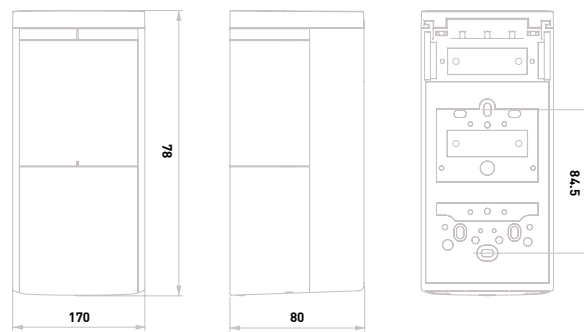
- Above ground vehicle sensor - no civil engineering work required
- Reliable and stable in all weather conditions
- Vehicle presence and activation sensor for gate, barrier, and industrial door
- Detecting vehicles at a speed from 2 to 35km/h
- Detects all types of vehicles whilst filtering out human traffic

OPTEx VIRTUAL LOOP VEHICLE DETECTION SENSOR FOR GATES AND BARRIERS UP TO 8M

OVS-02GT

Above ground vehicle detector for gates and barriers up to 8m

TECHNICAL INFO:



**NEED ASSISTANCE?
CONTACT OUR
TECHNICAL TEAM?**

Call us on
0113 201 6677 or email
Info@rollingcenter.co.uk

VIRTUAL LOOP VEHICLE DETECTION SENSOR

ELECTRICAL DATA		OVS-02GT
POWER SUPPLY		12/24VDC
OUTPUTS		2X VOLT FREE RELAY (NO)
DETECTION METHOD		MICROWAVE (FMCW)
FREQUENCY		2.4GHZ BLE COMMUNICATION
RESPONSE		MIN 500MS
CURRENT		HEATER ENABLED UP TO 300MA / DISABLED 90MA (AT 24)
OUTPUT SPEC 1		NON-VOLTAGE SOLID STATE RELAY OUTPUT 30VDC 0.3A OR LESS (RESISTANCE LOAD) (N.O. / N.C.)
OUTPUT SPEC 2		NON-VOLTAGE MECHANICAL RELAY OUTPUT 30VDC 1A OR LESS (RESISTANCE LOAD) (N.O. / N.C.)
INPUT		N.O. CONTACT NON-VOLTAGE RELAY INPUT ON RESISTANCE 100Ω OR LESS, OFF RESISTANCE 200KΩ OR MORE, INTERNAL PULL-UP VOLTAGE: APPROX. 3.3V
DIMENSIONAL & GENERAL DATA		
PROTECTION LEVEL		IP 66
OPERATING TEMP (°C MIN/MAX)		-30 ÷ +50
DIMENSIONS (MM)		150 X 90 X 45



NEW



DOMESTIC MINI WIRELESS VEHICLE DETECTOR EXIT MODE

ELOOM-K	Domestic mini wireless vehicle detector - Exit mode - ETRANS50 - 10/26v dc
SPARES & ACCESSORIES	
ANT-12	Long range antenna 12 dbi
ETRANS50	E-Trans 50 Transceiver
ETRANS100	E-Trans 100 Transceiver
ETRANS200	E-Trans 200 Transceiver
EDR00	Diagnostic remote
ELOOM	Domestic mini wireless vehicle detector

AES ELOOM-K MINI DOMESTIC VEHICLE DETECTION KIT

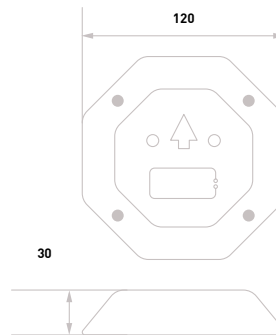
The **e-Loop Mini** is a simple bolt-in replacement for automatic vehicle detection systems for exit mode only with a **50 Transceiver**. Manage access for multi-unit complexes with up to 50 units.

Simply connects to your existing gate controller. This allows the **e-loop mini** to be used on almost any domestic gate. It utilizes magnetic sensor technology to provide a reliable, safe and cost-effective solution to automatic vehicle detection.

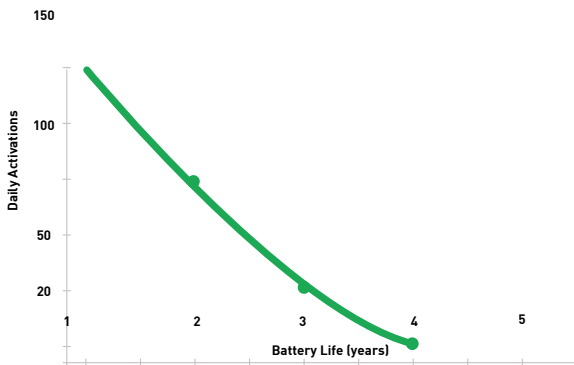
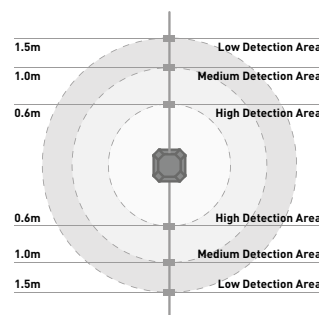
Features:

- Quick and easy installation.
- Small compact design (120mm x 120mm x 30mm high).
- Static load capacity 2500kg.
- Uses standard 1.5V AA Lithium batteries (included). Providing up to 3 - 4 years of battery life depending on usage.
- High security 128 - bit encryption.
- Range up to 50 meters.
- IP68.

TECHNICAL INFO:



Magnetometer Detection Area



MINI WIRELESS VEHICLE DETECTOR

ELECTRICAL DATA		ELOOM-K
POWER SUPPLY		10/36V DC (X2 AA LITHIUM 1.5V SUPPLIED)
CURRENT		STANDBY 14uA / ACTIVE 30mA
FREQUENCY		433.93 MHz
RELAY		1A CONTACT RATING. (NO, C) X1 RELAY
DIMENSIONAL & GENERAL DATA		
STATIC LOAD CAPACITY		2500KG
SECURITY		128-BIT ENCRYPTION
RANGE		UP TO 50 METRES
PROTECTION		IP68
OPERATING TEMP (°C MIN/MAX)		-40 - +80
DIMENSIONS (MM)		120 X 120 X 28

NICE ROBUSKIT1 SLIDING GATE AUTOMATION

Turn to page !!!



AES ELOOC COMMERCIAL VEHICLE DETECTION KIT

The Commercial Wireless Vehicle Detection System uses magnetometer sensors to detect the presence of oncoming vehicles.

These detections are transmitted to a nearby transceiver for gate activation. After the vehicle is detected, the **e-loop** will switch to radar mode.

The sensors are installed on the surface of entry or exit passages using dynabolts, contain four replaceable Lithium batteries and can withstand almost any vehicle.

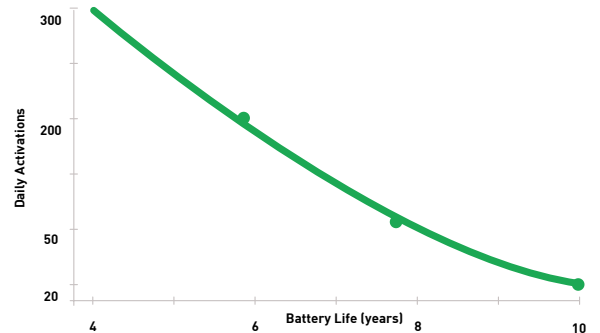
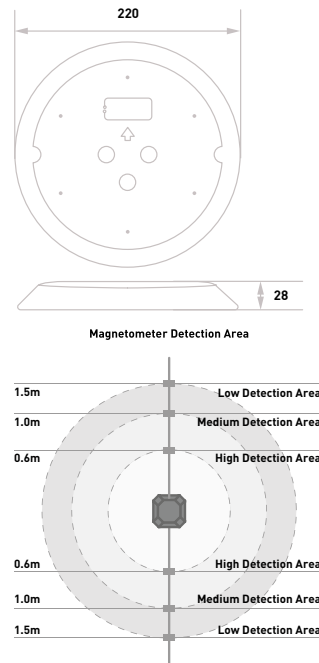
Features:

- Magnetic field detection.
- Quick and easy installation.
- Compact profile – only 28mm high x 220mm diameter (IP68)
- Not effected by ground movement.
- 10600 mA battery giving up to 10 years battery life.
- High security 128 bit encryption.
- Range 50 metres.
- Made of high - impact plastic (10 tonne static load limit)

COMMERCIAL WIRELESS VEHICLE DETECTOR EXIT MODE

ELOOC-K	Commercial wireless vehicle detector - Exit mode - ETRANS50 - 10/36v dc
ELOOC-KT	Commercial wireless vehicle detector - Exit mode - ETRANS100 - 10/36v dc
ELOOC-KLT	Commercial wireless vehicle detector - Exit mode - ETRANS200 - 10/36v dc
SPARES & ACCESSORIES	
ANT-12	Long range antenna 12 dbi
ETRANS50	E-Trans 50 Transceiver
ETRANS100	E-Trans 100 Transceiver
ETRANS200	E-Trans 200 Transceiver
EDR00	Diagnostic remote
ELOOC	Commercial wireless vehicle detector

TECHNICAL INFO:



COMMERCIAL WIRELESS VEHICLE DETECTOR

ELECTRICAL DATA		ELOOC	
POWER SUPPLY		10/36V DC (X4 AA LITHIUM 1.5V SUPPLIED)	
CURRENT		STANDBY 14uA / ACTIVE 50mA	
FREQUENCY		433.93 MHz	
RELAY		1A CONTACT RATING. (NO, C) X1 RELAY	
DIMENSIONAL & GENERAL DATA			
STATIC LOAD CAPACITY		10T	
SECURITY		128-BIT ENCRYPTION	
RANGE		UP TO 50 METRES	
PROTECTION		IP68	
OPERATING TEMP (°C MIN/MAX)		-40 - +80	
DIMENSIONS (MM)		220 X 220 X 28	

CAN'T SEE WHAT YOU'RE LOOKING FOR?

Our friendly team are here to help. Call us on **0113 201 6677** or email Info@rollingcenter.co.uk



NEW



AES ELOOC-RAD COMMERCIAL VEHICLE DETECTION KIT

The Commercial Wireless Vehicle Detection System uses magnetometer sensors to detect the presence of oncoming vehicles.

These detections are transmitted to a nearby transceiver for gate activation. After the vehicle is detected, the **e-loop** will switch to radar mode.

The sensors are installed on the surface of entry or exit passages using dynabolts, contain four replaceable Lithium batteries and can withstand almost any vehicle.

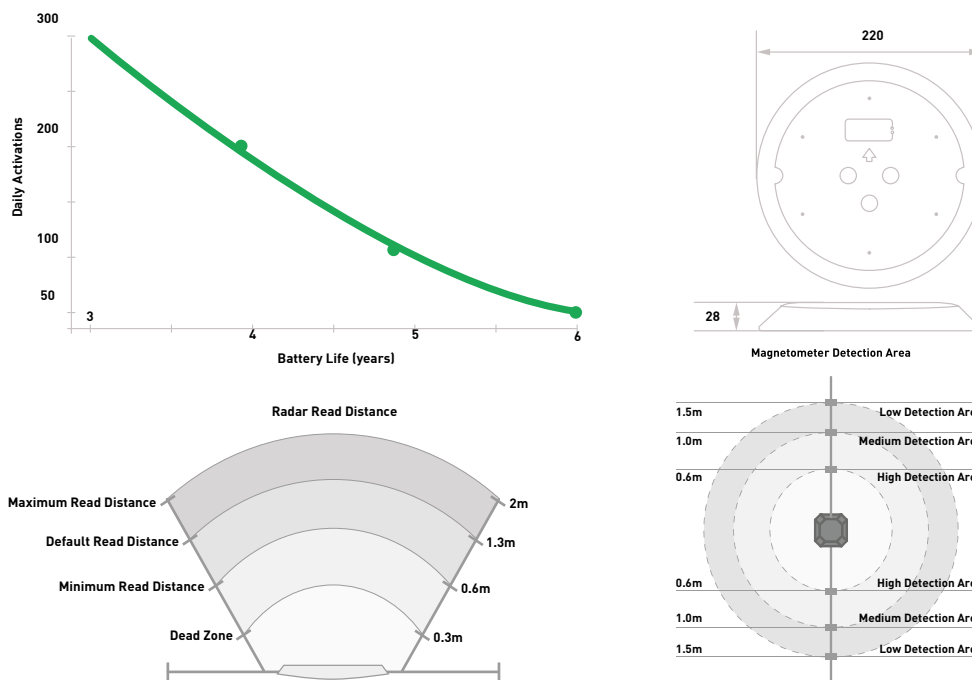
Features:

- Magnetic field and Radar detection.
- Quick and easy installation.
- Compact profile – only 28mm high x 220mm diameter (IP68).
- Not affected by ground movement.
- 10600 mA battery giving up to 6 years battery life (depending on usage).
- High security 128 bit encryption.
- Range 50 metres.
- Made of high - impact plastic (10 tonne static load limit)

COMMERCIAL WIRELESS VEHICLE DETECTOR PRESENCE MODE

ELOOC-RAD-K	Commercial wireless vehicle detector - Presence mode - ETRANS50 - 10/36v dc
ELOOC-RAD-KT	Commercial wireless vehicle detector - Presence mode - ETRANS100 - 10/36v dc
ELOOC-RAD-KLT	Commercial wireless vehicle detector - Presence mode - ETRANS200 - 10/36v dc
SPARES & ACCESSORIES	
ANT-12	Long range antenna 12 dbi
ETRANS100	E-Trans 100 Transceiver
ETRANS200	E-Trans 200 Transceiver
EDR00	Diagnostic remote
ELOOC-RAD	Commercial wireless vehicle detector - presence mode

TECHNICAL INFO:



COMMERCIAL WIRELESS VEHICLE DETECTOR

ELECTRICAL DATA		ELOOC
POWER SUPPLY	10/36V DC (X4 AA LITHIUM 1.5V SUPPLIED)	
CURRENT	STANDBY 14uA / ACTIVE 50mA	
FREQUENCY	433.93 MHz	
RELAY	1A CONTACT RATING. (NO, C) X1 RELAY	
DIMENSIONAL & GENERAL DATA		
STATIC LOAD CAPACITY	10T	
SECURITY	128-BIT ENCRYPTION	
RANGE	UP TO 50 METRES	
PROTECTION	IP68	
OPERATING TEMP (°C MIN/MAX)	-40 - +80	
DIMENSIONS (MM)	220 X 220 X 28	

**WE STOCK THE
FULL RANGE
OF GATE
AUTOMATION**

See page 7 for details



NEW



AES ELIG00 INGROUND COMMERCIAL VEHICLE DETECTION KIT

The Commercial Wireless Vehicle Detection System uses magnetometer sensors to detect the presence of oncoming vehicles.

These detections are transmitted to a nearby transceiver for gate activation. After the vehicle is detected, the **e-loop** will switch to radar mode.

The sensors are installed in the ground foundation of entry or exit passages with lithium batteries and can withstand almost any vehicle.

Note: gate or door controller must have a dedicated open input and auto close function enabled.

Features:

- High security 128 bit encryption.
- Quick and easy installation.
- Recesses into the driveway.
- Not effected by ground movement.
- 14500 mA battery giving up to 10 years battery life.
- Top access for changing battery.
- Range 50 metres.
- IP68

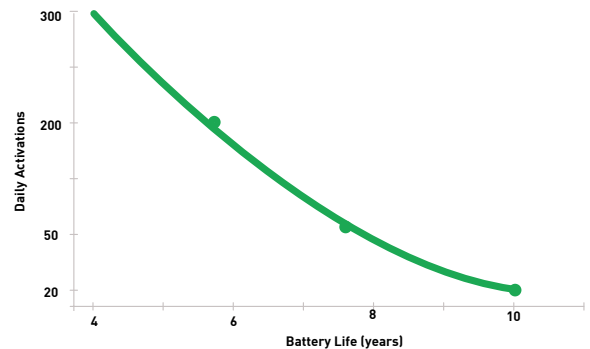
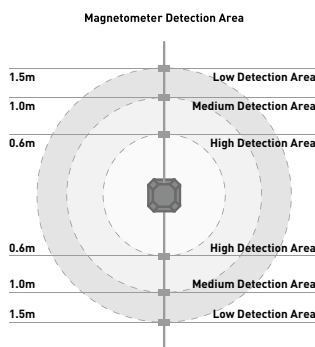
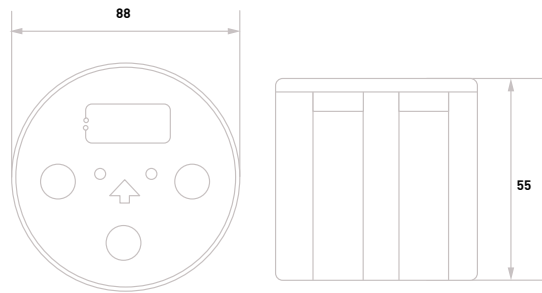
INGROUND COMMERCIAL WIRELESS VEHICLE DETECTOR EXIT MODE

ELIG00-K	Inground commercial wireless vehicle detector - Exit mode - ETRANS50 - 10/36v dc
ELIG00-KT	Inground commercial wireless vehicle detector - Exit mode - ETRANS100 - 10/36v dc
ELIG00-KLT	Inground commercial wireless vehicle detector - Exit mode - ETRANS200 - 10/36v dc

SPARES & ACCESSORIES

ANT-12	Long range antenna 12 dbi
ETRANS50	E-Trans 50 Transceiver
ETRANS100	E-Trans 100 Transceiver
ETRANS200	E-Trans 200 Transceiver
EDR00	Diagnostic remote
ELIG00	Inground commercial wireless vehicle detector

TECHNICAL INFO:



INGROUND WIRELESS VEHICLE DETECTOR

ELECTRICAL DATA		ELIG00
POWER SUPPLY	10/36V DC (X1 AA LITHIUM 3.6V 14500mA NOT SUPPLIED)	
CURRENT	STANDBY 14uA / ACTIVE 50mA	
FREQUENCY	433.93 MHz	
RELAY	1A CONTACT RATING. (NO, C) X1 RELAY	
DIMENSIONAL & GENERAL DATA		
STATIC LOAD CAPACITY	10,000KG	
SECURITY	128-BIT AES ENCRYPTION	
RANGE	UP TO 50 METRES	
PROTECTION	IP68	
OPERATING TEMP (°C MIN/MAX)	-40 - +80	
DIMENSIONS (MM)	88 X 88 X 55	

REGISTER FOR A TRADE ACCOUNT TODAY TO RECEIVE TRADE DISCOUNTS

Call us on **0113 201 6677** our friendly team are here to help.



NEW



INGROUND COMMERCIAL WIRELESS VEHICLE DETECTOR PRESENCE MODE

ELIG00-RAD-K	Inground commercial wireless vehicle detector - Presence mode - ETRANS50 - 10/36v dc
ELIG00-RAD-KT	Inground commercial wireless vehicle detector - Presence mode - ETRANS100 - 10/36v dc
ELIG00-RAD-KLT	Inground commercial wireless vehicle detector - Presence mode - ETRANS200 - 10/36v dc

SPARES & ACCESSORIES

ANT-12	Long range antenna 12 dbi
ETRANS50	E-Trans 50 Transceiver
ETRANS100	E-Trans 100 Transceiver
ETRANS200	E-Trans 200 Transceiver
EDR00	Diagnostic remote
ELIG00-RAD	Inground commercial wireless vehicle detector - presence mode

AES ELIG00-RAD INGROUND COMMERCIAL VEHICLE DETECTION KIT

The Commercial Wireless Vehicle Detection System uses magnetometer sensors to detect the presence of oncoming vehicles.

These detections are transmitted to a nearby transceiver for gate activation. After the vehicle is detected, the **e-loop** will switch to radar mode.

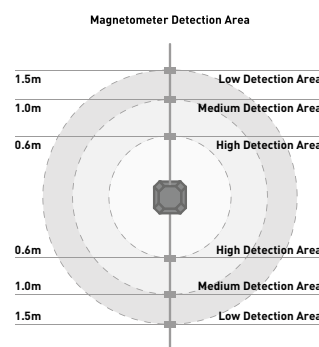
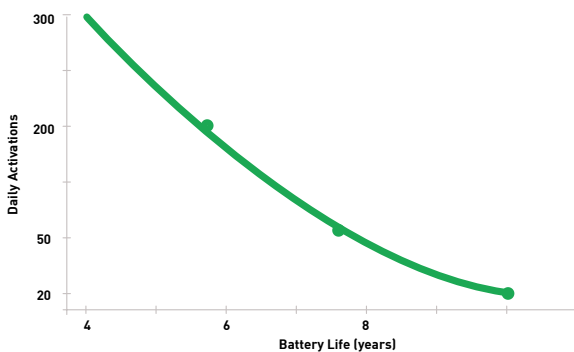
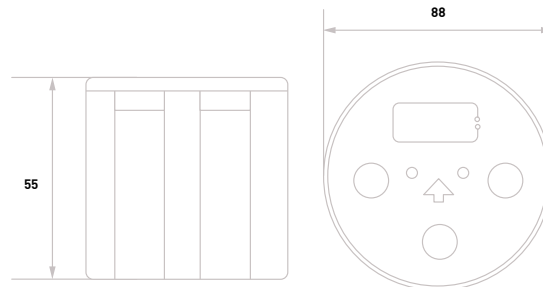
The sensors are installed in the ground foundation of entry or exit passages with lithium batteries and can withstand almost any vehicle.

Note: gate or door controller must have a dedicated open input and auto close function enabled.

Features:

- High security 128 bit encryption.
- Quick and easy installation.
- Recesses into the driveway.
- Not effected by ground movement.
- 14500 mA battery giving up to 10 years battery life.
- Top access for changing battery.
- Range 50 metres.
- IP68

TECHNICAL INFO:



INGROUND WIRELESS VEHICLE DETECTOR

ELECTRICAL DATA		ELIG00-RAD
POWER SUPPLY		10/36V DC (X1 AA LITHIUM 3.6V 14500mA NOT SUPPLIED)
CURRENT		STANDBY 14uA / ACTIVE 50mA
FREQUENCY		433.93 MHz
RELAY		1A CONTACT RATING. (NO, C) X1 RELAY
DIMENSIONAL & GENERAL DATA		
STATIC LOAD CAPACITY		10,000KG
SECURITY		128-BIT AES ENCRYPTION
RANGE		UP TO 50 METRES
PROTECTION		IP68
OPERATING TEMP (°C MIN/MAX)		-40 - +80
DIMENSIONS (MM)		88 X 88 X 55

NICE & CAME BARRIER KITS.

Turn to page 50



INTRATONE 06-0130-EN GSM DIALLER & KEYPAD

Surface-mounted mini coded keypad with real time management allowing programming remotely rather than having to visit the site.

Supplied and controlled by the **06-0129-EN GPRS/GSM** data module with built-in HF receiver and 10-years of unlimited data for syncing and updates.

This allows a user to gain access via keyfobs and transmitters or by calling the unit at no-call cost.



KEYPAD AND GSM MODULE RECEIVER WITH 10 YEAR UNLIMITED DATA SIM

06-0130-EN	GSM dialler & keypad kit - 12-24vdc
SPARES & ACCESSORIES	
04-0107-EN	Vandal resistant keypad - up to 80 codes - remote management - 12v dc
12V-2A-PSU	12v 2 amp power supply

ELECTRICAL DATA		GSM DIALLER MODULE & KEYPAD	
		06-0130-EN	
POWER SUPPLY		12/24V DC	
CURRENT		1A	
OUTPUT		X2 NO RELAYS	
DIMENSIONAL & GENERAL DATA			
WEIGHT (KG)		1.3	
OPERATING TEMP (°C MIN/MAX)		-20 - +70	
DIMENSIONS KEYPAD		85 X 137 X 16	
DIMENSIONS GSM MODULE (MM)		162 X 96 X 53	



INTRATONE 06-0130-EN GSM DIALLER & PROX

The Intratone **06-0131-EN** is a proximity reader kit consisting of the **04-0106-EN** Prox reader and **06-0129-EN** GSM module with 10 years unlimited SIM.

The square proximity reader with MIFARE technology is for access control and is programmed with remote online management and programming allowing updates and syncing remotely so a visit to site isn't needed.

Create, change or delete key fobs without recovering them or needing to visit the site.

The Intratone **06-0129-en** is a 1 transmission GSM module with built-in HF receiver which allows a user to gain access via keyfobs and transmitters or by calling the unit at no-call cost.



FLUSH PROXIMITY READER AND GSM MODULE RECEIVER WITH 10 YEAR UNLIMITED DATA SIM

06-0130-EN	GSM dialler & proximity kit - 12-24vdc
SPARES & ACCESSORIES	
12-0132	Surface mount back box
08-0101-EN	Vandal resistant prox reader - upto 1000 fobs - remote management - 12v dc
12V-2A-PSU	12v 2 amp power supply

ELECTRICAL DATA		GSM DIALLER MODULE & PROXIMITY READER	
		06-0131-EN	
POWER SUPPLY		12/24V DC	
CURRENT		1A	
DIMENSIONAL & GENERAL DATA			
PROTECTION		READER IP50 / READER HEAD IP68	
WEIGHT (KG)		1.3	
OPERATING TEMP (°C MIN/MAX)		-20 - +70	
DIMENSIONS PROX READER (MM)		64.5 X 62 X 23	
DIMENSIONS GSM MODULE (MM)		162 X 96 X 53	



7 DAY DIGITAL TIME CLOCKS

TH827-12	7 day digital timer, 12V ac/dc
TH827-24	7 day digital timer, 24V ac/dc
TH827-240	7 day digital timer, 240Vac

**CDVI TH SERIES
TIMER / TIME CLOCKS**

The TH Series of timers provide various weekly and daily programmes to control the automatic release of locks for "free access" periods. Easy to programme with LCD digital displays to give visual feedback, these timers allow up to 8 on/off schedules to be applied daily or weekly - in fact there are pre-set groups of days to assist in the set up of the programming.

The timers operate automatically but also include a manual override. They include an NCID battery back up for timing and are available in different voltages.

TH SERIES TIME CLOCKS	
TH827-12 / TH827-24 / TH827-240	
ELECTRICAL DATA	
POWER SUPPLY TH827-12	12V AC/DC
POWER SUPPLY TH827-24	24V ACDC
POWER SUPPLY TH827-240	240VAC
SWITCHING	8A @240V
DIMENSIONAL & GENERAL DATA	
ON/OFF	8 PER DAY
BATTERY BACKUP	200 HOURS
DIMENSIONS (MM)	60 X 60 X 34



DIN RAIL MOUNTABLE 365 DAY PROGRAMMABLE TIME CLOCK

VE463600	365 day + bank holidays with BST - din rail mount - 24v ac/dc
VE462800	365 day + bank holidays with BST - din rail mount - 12v ac/dc

**VEMER VE SERIES
TIMER / TIME CLOCK**

This programmable timer includes automatic British Summer time/ Greenwich mean time adjustment which means once the timer has been programmed, the clock will automatically adjust each Spring and Autumn when the clocks change. Programmable time clock. Manual over-ride of the relay can be password protected. 3 Year Battery Life DIN rail mountable.

The time clock is DIN mounting, has a digital display and can be password protected to prevent unauthorised tampering.

VEMER VE463600 TIME CLOCK	
VE463600	
ELECTRICAL DATA	
POWER SUPPLY	230VAC ± 10%
CURRENT	8VA (2W)
OUTPUT	MONOSTABLE CHANGE-OVER 16(10)A / 250VAC
DIMENSIONAL & GENERAL DATA	
PROTECTION	IP20 (TERMINALS)
OPERATING TEMP (°C MIN/MAX)	0 - +50
DIMENSIONS (MM)	87 X 65 X 35



BELL TS2000 TIMER / TIME CLOCK

Making it simple to adjust to British and European time settings, the **TS2000** time clock is simple to program and will adjust itself automatically. Used in conjunction with access control systems, this time clock is a reliable choice and popular with many installers.

Model **TS2000** time clock is manufactured by Bell System (BSTL) and is a necessary component for most Bell entrance panels with the Tradesman facility.



7 DAY DIGITAL TIME CLOCKS WITH AUTOMATIC BST

TS2000-BST

7 day with automatic BST - surface mount - 12v ac/dc

TS200BST TIME CLOCK	
ELECTRICAL DATA	TS200BST
POWER SUPPLY	12V AC/DC
SWITCHING CAPACITY	10A 30VDC
OUTPUT	MONOSTABLE CHANGE-OVER 16(10)A / 250VAC
DIMENSIONAL & GENERAL DATA	
BST	AUTOMATIC EUROPEAN TIME ADJUSTMENT
PROGRAMMING	7 DAY
ON/OFF	8 PER DAY
DIMENSIONS (MM)	98 X 66 X 40



ROLLING CENTER MPRACDC RELAY UNIT

An exceptionally versatile version of the handy little relay which operates on AC voltages ranging from 6 to 28V, will also work on DC voltages from 6 to 28V. It is mounted on a PCB that has screw terminals for easy interconnections. Voltage selection is made by cutting a link on the PCB.



MPRACDC DOUBLE POLE RELAY UNIT

RELAY

12-28v ac/dc - double pole - relay unit

VHLR RELAY UNIT	
ELECTRICAL DATA	VHLR
POWER SUPPLY	8-30VAC OR 11-30VDC - 45MA @12V
RELAYS	DOUBLE POLE CHANGE-OVER CONTACT
OUTPUT	2x VOLT FREE RELAYS (C, NO, NC) 5A @240VAC - 5A @30VDC
DIMENSIONAL & GENERAL DATA	
DIMENSIONS (MM)	69 X 59 X 30

SEE OUR FULL RANGE OF INTERCOMS

See page !! for details



PROCON MD102 SERIES MAGNETIC PROBE LOOP DETECTOR

The probe can measure the magnetic field in 3 axis, namely the X, Y, and Z axis. Each axis can be individually enabled to optimise vehicle detection. Normally all 3 axis would be enabled.

The **MD102** probe can be buried in the road surface underneath the vehicle alongside the vehicle or can be mounted above the ground next to the passage of the vehicle. The probe can be used to produce a pulse output or a presence out. The presence out will detect the vehicle indefinitely.

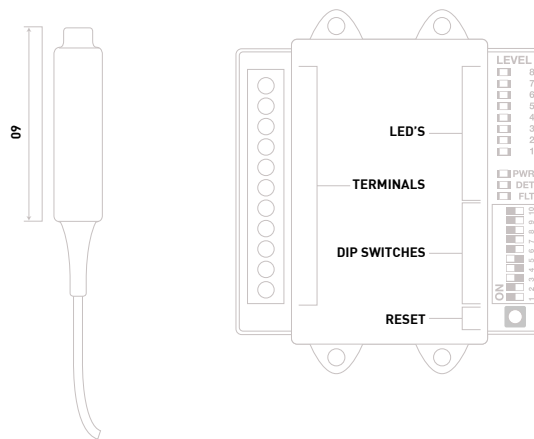
The **MD102C** is a control unit which enables configuration and testing of the **MD102**. DIP switches are used for configuration and LED's are used for visual indications of the operation of the probe. A relay output switches ON when a vehicle is detected.

The **MD102** has been designed for parking and access control applications and is a cost-effective solution for detecting vehicles in order to facilitate the automatic opening of security gates. It requires a minimal amount of cutting in the road surface.

MAGNETIC PROBE LOOP DETECTOR

MD102C	Magnetic probe controller unit - 12/24v ac/dc
SPARES & ACCESSORIES	
MD102-10	10m magnetic probe loop detector cable and probe
MD102-15	15m magnetic probe loop detector cable and probe
MD102-30	30m magnetic probe loop detector cable and probe

TECHNICAL INFO:



MD102C SERIES CONTROLLER	
MD102C	
ELECTRICAL DATA	
POWER SUPPLY	12/24V AC/DC
CURRENT	30mA
DIMENSIONAL & GENERAL DATA	
PRESENCE/PULSE RELAY	CHANGE OVER CONTACT 0.5A/230VAC
RESPONSE TIME	APPROXIMATELY 100MS AFTER VEHICLE ENTERS PROBE AREA
INDICATORS	LED INDICATORS SHOW: POWER, DETECT STATE AND PROBE FAULT
CONNECTOR	11 WAY SCREW TERMINAL BLOCK
OPERATING TEMP (°C MIN/MAX)	-20 - +70
DIMENSIONS (MM)	105 X 90 X 22

SCAN FOR
WHATSAPP SALES





PROCON LD SINGLE CHANNEL BOXED TYPE LOOP DETECTOR & RELAY BASE

The **LD100 & LD102** are both single channel inductive loop detectors.

The use of microprocessor and surface mount technology enables a large number of functions to be incorporated into a small package. The **LD100 & LD102** is compatible with most single channel detectors on the market and is easy to set-up and install.

Typical applications in the parking and access control environments are safety loops, arming loops and entry or exit loops.



SINGLE CHANNEL BOXED LOOP DETECTOR AND RELAY BASE

LD100	230v - single channel - boxed loop detector - with relay base
LD102	24vdc - single channel - boxed loop detector - with relay base

SPARES & ACCESSORIES

LC100	100m induction ground loop cable
LC500	500m induction ground loop cable
RELAY BASE	11 pin relay base

LD SINGLE CHANNEL LOOP DETECTORS

ELECTRICAL DATA	LD 100	LD 102
POWER SUPPLY	200-260V 1.5VA	11-26V AC/DC 95MA MAX
PRESENCE RELAY	CHANGE OVER CONTACT 0.5A / 230VAC (FAIL SAFE – NORMALLY ENERGIZED)	
PULSE RELAY	CHANGE OVER CONTACT 0.5A / 230VAC (NON FAIL SAFE – NORMALLY DE-ENERGISED)	
DIMENSIONAL & GENERAL DATA		
LOOP FREQ & POWER FAIL MEMORY	APPROX 23-130KHZ - 20 SECONDS MEMORY	
OPERATING TEMP (°C MIN.MAX)	-40 - +80	
DIMENSIONS UNIT (MM)	80 X 40 X 79 + 11 PIN RELAY BASE	



PROCON LD DUAL CHANNEL BOXED TYPE LOOP DETECTOR & RELAY BASE

The **LD200 & LD202** are both dual channel inductive loop detectors.

The use of microprocessor and surface mount technology enables a large number of functions to be incorporated into a small package. The **LD200 & LD202** is compatible with most dual channel detectors on the market and is easy to set-up and install.

Typical applications in the parking and access control environments are safety loops, arming loops and entry or exit loops as well as direction logic.



DUAL CHANNEL BOXED LOOP DETECTOR AND RELAY BASE

LD200	230v - dual channel - boxed loop detector - with relay base
LD202	24vdc - dual channel - boxed loop detector - with relay base

SPARES & ACCESSORIES

LC100	100m induction ground loop cable
LC500	500m induction ground loop cable
RELAY BASE	11 pin relay base for boxed loop detectors

LD DUAL CHANNEL LOOP DETECTORS

ELECTRICAL DATA	LD 200	LD 202
POWER SUPPLY	200-260V 1.5VA	11-26V AC/DC 95MA MAX
PRESENCE RELAY	CHANGE OVER CONTACT 0.5A / 230VAC (FAIL SAFE – NORMALLY ENERGIZED)	
PULSE RELAY	CHANGE OVER CONTACT 0.5A / 230VAC (NON FAIL SAFE – NORMALLY DE-ENERGISED)	
DIMENSIONAL & GENERAL DATA		
LOOP FREQ & POWER FAIL MEMORY	APPROX 23-130KHZ - 20 SECONDS MEMORY	
OPERATING TEMP (°C MIN.MAX)	-40 - +80	
DIMENSIONS UNIT (MM)	80 X 40 X 79 + 11 PIN RELAY BASE	



SINGLE & DUAL CHANNEL CARD TYPE LOOP DETECTOR

LD113	12-24v ac/dc- single channel - card type loop detector
LD213	12-24v ac/dc- dual channel - card type loop detector
SPARES & ACCESSORIES	
LC100	100m induction ground loop cable
LC500	500m induction ground loop cable

LD DUAL CHANNEL CARD TYPE LOOP DETECTORS		
ELECTRICAL DATA	LD 113 SINGLE CHANNEL	LD 213 DUAL CHANNEL
POWER SUPPLY	11-26V AC/DC 100MA MAX	11-26V AC/DC 100MA MAX
PRESENCE RELAY	CHANGE OVER CONTACT 0.5A / 230VAC (FAIL SAFE – NORMALLY ENERGIZED)	
PULSE RELAY	CHANGE OVER CONTACT 0.5A / 230VAC (NON FAIL SAFE – NORMALLY DE-ENERGISED)	
DIMENSIONAL & GENERAL DATA		
LOOP FREQ & POWER FAIL MEMORY	APPROX 23-130KHZ - 20 SECONDS MEMORY	
CONNECTOR	LD113-1 10 WAY MOLEX PLUG CONNECTOR	LD113-2 10 WAY SCREW TERMINAL BLOCK
OPERATING TEMP (°C MIN.MAX)	-40 - +80	
DIMENSIONS UNIT (MM)	105 X 68	

**PROCON
LD
SINGLE & DUAL CHANNEL
CARD TYPE LOOP DETECTOR**

The **LD113** single channel & **LD213** dual channel inductive loop detectors.

The use of microprocessor based technology enables a large number of functions to be incorporated into a small package.

The **LD113 & LD213** is a single printed circuit board construction and is compatible with other similar single channel detectors. Special features include a switched mode power supply to enable operation over a wide voltage range.

Typical applications in the parking and access control environments are safety loops, arming loops and entry or exit loops.

**CANTILEVER GATE
CONFIGURATOR TOOL
AVAILABLE NOW**



ONLY ON OUR WEBSITE



CDVI RTE-SS & SF PUSH TO EXIT BUTTONS SURFACE & FLUSH MOUNT

The **RTE-S** series of exit switches offer a flexible solution to provide exit triggering in a variety of applications. From medium to heavy traffic use, these push buttons are suitable for internal and external use.

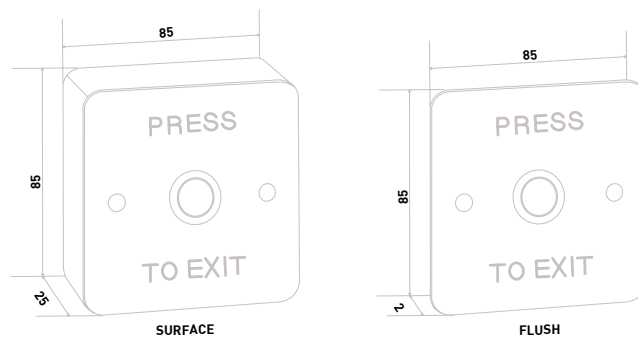
In consultation with the installers, we have adopted **"PRESS TO EXIT"** as the standard wording on the switches - this was requested to replace **"DOOR RELEASE"**, as some switches are used to control gates and barriers.

The exit button options are standard stainless steel or high impact green dome.



STAINLESS STEEL PUSH TO EXIT BUTTONS

RTE-SS	Surface mount - stainless steel exit button
RTE-SF	Flush mount - stainless steel exit button



CDVI RTE-SSD & SFD DOMED PUSH TO EXIT BUTTONS SURFACE & FLUSH MOUNT

The **RTE-S** series of exit switches offer a flexible solution to provide exit triggering in a variety of applications. From medium to heavy traffic use, these push buttons are suitable for internal and external use.

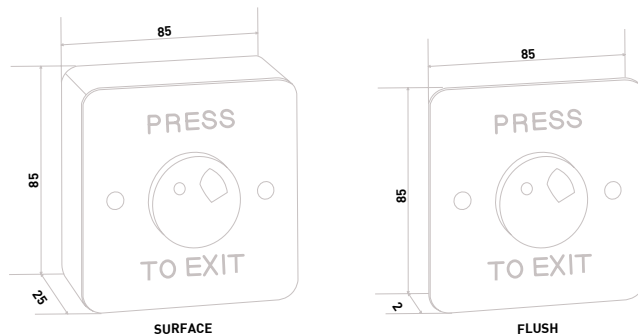
In consultation with the installers, we have adopted **"PRESS TO EXIT"** as the standard wording on the switches - this was requested to replace **"DOOR RELEASE"**, as some switches are used to control gates and barriers.

The exit button options are standard stainless steel or high impact green dome. The green dome is particularly suited for users who require a larger "target" button - in homes for the elderly, for example.



STAINLESS STEEL DOMED PUSH TO EXIT BUTTONS

RTE-SSD	Surface mount - standard green domed exit button
RTE-SFD	Flush mount - standard green domed exit button





TOUCH FREE EXIT BUTTONS

TF-SQUARE	12-24vdc - touch free - square - exit button
------------------	--

SPARES & ACCESSORIES

12V-1A-PSU	12v power supply with 1 amp output includes a 2.4m lead and UK plug
-------------------	---

TF NARROW EXIT BUTTON	
ELECTRICAL DATA	TF NARROW
POWER SUPPLY	12-24VDC
OUTPUT CONTACT	NO / NC / COM
DIMENSIONAL & GENERAL DATA	
PROTECTION	IP68
SENSITIVE DISTANCE	ADJUSTABLE 3-15CM
TIME DELAY	ADJUSTABLE 0-30S
OPERATING TEMP (°C MIN.MAX)	-20 - +55
DIMENSIONS UNIT (MM)	32 X 32 X 80



**SRS
TF-SQUARE
SQUARE TOUCH FREE
EXIT BUTTON**

This is a square stainless steel exit device with touch free button.

It is laser engraved 'exit' and can be surface or flush mounted with the green back box provided.

The blue LED colour indicates standby mode, whereas the green LED colour indicates that the exit button has been activated.



TOUCH FREE NARROW EXIT BUTTONS

TF-NARROW	12-24vdc - touch free - narrow - exit button
------------------	--

SPARES & ACCESSORIES

12V-1A-PSU	12v power supply with 1 amp output includes a 2.4m lead and UK plug
-------------------	---

TF SQUARE EXIT BUTTON	
ELECTRICAL DATA	TF SQUARE
POWER SUPPLY	12-24VDC
CONTACT RATING	12-24V 3A
OUTPUT CONTACT	NO / NC / COM
DIMENSIONAL & GENERAL DATA	
SENSITIVE DISTANCE	NON-ADJUSTABLE
TIME DELAY	ADJUSTABLE 0-30S
OPERATING TEMP (°C MIN.MAX)	-20 - +55
DIMENSIONS UNIT (MM)	25 X 86 X 86



**SRS
TF-NARROW
NARROW TOUCH FREE
EXIT BUTTON**

This is a narrow, architrave style touch free button with adjustable time delay and IR sensor.

Its slim design and an IP68 rating makes this device an ideal choice for both, general and harsh conditions installations.

The built in LED has a dual mode operation, with a blue colour indicating standby and the green, access granted.



**NICE
EKSEU
SPRING LOADED
KEY SWITCH**

EKSEU key switch, surface mounting contains the European standard cylinder.

With the key switch, the door can be easily opened or closed by a key.



SPRING LOADED KEY SWITCH

EKSEU

Key switch - surface mount - euro-cylinder - external use

**CDVI
KEY-SSMAKA
2 POSITION KEY SWITCH**

CDVI's range of key switches offers 2 or 3 position key switches mounted on a stainless steel plate, and available as flush or surface.

The KEY-S Series are standard 2 position key switches available as keyed alike or keyed to differ to suit any need.



STAINLESS STEEL 2 POSITION KEY SWITCH

KEY-SSMAKA

Key switch - surface mount - 2 position - keyed alike - external use

WE ARE DISTRIBUTORS OF VIDEX PRODUCTS



DID YOU KNOW?

WHETHER YOU REQUIRE FULL BESPOKE SYSTEMS FOR APARTMENTS OR REPLACEMENT SPARES, WE CAN SUPPLY THE WHOLE RANGE AT VERY COMPETITIVE PRICES

PLEASE CONTACT US WITH YOUR REQUIREMENTS - 0113 201 6677





ENCAPSULATED IN-LINE DC POWER SUPPLY UNIT

12V-1A-PSU

12v power supply with 1 amp output includes a 2.4m lead and UK plug



HAYDON
12V 1A
IN-LINE DC POWER
SUPPLY UNIT

INLINE DC POWER SUPPLY UNITS	
12V 1A	
ELECTRICAL DATA	
INPUT VOLTAGE	100 - 240VAC
INRUSH CURRENT	< 20A & 240VAC
INPUT CURRENT	3A MAX
RATED OUTPUT POWER	12 WATTS
OUTPUT CURRENT	1A
ISOLATION	AC3.0 KV/1 MIN (INPUT / OUTPUT)
DIMENSIONAL & GENERAL DATA	
WORKING TEMP (°C MIN/MAX)	0 - +50
DIMENSIONS UNIT (MM)	77.5 X 46 X 28



BOXED EXTERNAL DC POWER SUPPLY UNIT

24V-2A-PSU

24vdc 2A inline power supply with input/output leads, input 230vac



HAYDON
24V 2A
IN-LINE DC POWER
SUPPLY UNIT

INLINE DC POWER SUPPLY UNITS	
24V 2A	
ELECTRICAL DATA	
INPUT VOLTAGE	240VAC
RATED OUTPUT POWER	48VA
OUTPUT CURRENT	2A
ISOLATION CLASS	B (130°C)
DIMENSIONAL & GENERAL DATA	
WORKING TEMP (°C MIN/MAX)	-10 - +40
DIMENSIONS UNIT (MM)	105 X 92.5 X 65

**SEE OUR ACCESS
CONTROL
KEYPADS**

See page !! for details



**HAYDON
12V 2A
EXTERNAL IP RATED
DC POWER SUPPLY**



BOXED EXTERNAL IP RATED DC POWER SUPPLY UNIT

12V-2A-PSU

12vdc 2a - external IP66 power supply with input/output leads - input 230vac.

EXTERNAL DC POWER SUPPLY UNITS	
12V 2A	
ELECTRICAL DATA	
INPUT VOLTAGE	100-240VAC 3A
OUTPUT CURRENT	1X 2A
OUTPUT VOLTAGE	12 VDC
SURGE PROTECTED	YES
DIMENSIONAL & GENERAL DATA	
PROTECTION	IP44
WORKING TEMP (°C MIN/MAX)	-10 - +40
DIMENSIONS UNIT (MM)	8 X 15 X 7.1



**CDVI
CA1R
CLASS II AC DIN RAIL
MOUNT POWER SUPPLY UNIT**

A range of high quality power supplies from CDVI to complement your access control and locking requirements.

The **CA1R** is an economical power supply with 2 x 12V outputs with "mid-point", which means it can deliver **12Vac** or **24Vac**.

This unit is ideal for running a simple keypad and electric strike.



DIN RAIL MOUNT AC POWER SUPPLY UNIT

CA1R

12-24vac power supply unit - din rail mount - class II

CA1R AC POWER SUPPLY UNIT	
CA1R	
ELECTRICAL DATA	
INPUT VOLTAGE	230V AC ±10%
OUTPUT VOLTAGES	12VAC OR 24VAC
SECONDARY OUTPUT	24V - 2X 12V WITH MIDPOINT
DIMENSIONAL & GENERAL DATA	
DIMENSIONS UNIT (MM)	90 X 55 X 65



**VIDEX
HDR15**
DC DIN RAIL MOUNT
POWER SUPPLY UNIT

DIN RAIL MOUNT DC POWER SUPPLY UNIT

HDR 15-12	12vdc 1.25a power supply unit - din rail mount
HDR 15-24	24vdc 0.63a power supply unit - din rail mount

INLINE DC POWER SUPPLY UNITS			
ELECTRICAL DATA	HDR 15-12	HDR 15-24	
INPUT VOLTAGE	85-265VAC		
RATED OUTPUT POWER	15 WATTS	15.2 WATTS	
OUTPUT VOLTAGE	12V DC	24V DC	
OUTPUT CURRENT	1.25A	0.63A	
DIMENSIONAL & GENERAL DATA			
WORKING TEMP (°C MIN/MAX)	-30 - +70	-30 - +70	
DIMENSIONS UNIT (MM)	77.5 X 46 X 28	108 X 48 X 30	



**ROLLING CENTER
ROTARY ISOLATOR**

ROTARY ISOLATOR

ROTARY ISOLATOR	20a rotary isolator - IP65 - EN60947 compliant
-----------------	--



**CDVI
ES BUTTON**
EMERGENCY STOP BUTTON

EMERGENCY STOP BUTTON TWIST RELEASE

ESBUTTON	Emergency stop button - twist to release - normally closed contact
----------	--



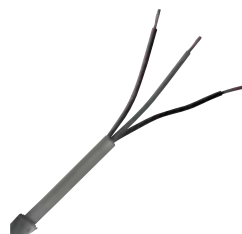
**ROLLING CENTER
LOOPCABLE**
INDUCTION LOOP CABLE



INDUCTION LOOP CABLE

LC100	Induction loop cable - 1mm ² - 100m drum
LC500	Induction loop cable - 1mm ² - 500m drum

**ROLLING CENTER
3 CORE ARMoured
CABLE**



ARMoured 3 CORE

3COREARM	3 core armoured - 1.5mm \emptyset - 50m drum
----------	--

**ROLLING CENTER
5 CORE FLEX CABLE**



FLEX CABLE

5CORE FLEX	5 core flex - 0.75mm \emptyset - 50m drum
------------	---

**NEED
ASSISTANCE?
CONTACT OUR
TECHNICAL TEAM?**

Call us on
0113 201 6677 or email
Info@rollingcenter.co.uk



**ROLLING CENTER
SECURITY CABLE**

SECURITY CABLE	
6CORE BLACK	6 core security cable - black - 100m drum
6CORE WHITE	6 core security cable - white - 100m drum
8CORE BLACK	8 core security cable - black - 100m drum
8CORE WHITE	8 core security cable - white - 100m drum



**ROLLING CENTER
DATA CABLE**

CAT5 DATA CABLE	
CAT5E UTP	CAT5 UTP - data cable - sold per meter
W125941328	CAT5 UTP - data cable - sold per 305 meter box - white



**ROLLING CENTER
ENC
ABS ENCLOSURES**

ABS ENCLOSURE BOXES	
ENC431	ABS enclosure box - 400 x 300 x 195mm - with key - with backplate
ENC541	ABS enclosure box - 500 x 400 x 175mm - with key - with backplate
ENC642	ABS enclosure box - 600 x 400 x 275mm - with key - with backplate

**STEEL
ENCLOSURES
AVAILABLE**

Speak with our sales team for more information on **0113 201 6677** or email Info@rollingcenter.co.uk



**ROLLING CENTER
CPPR COPEX
PLASTIC CONDUIT & FIXINGS**



COPEX

CPPR20	Contractor pack - 10m of 20mm black polypropylene conduit - 10 x glands & nuts
CPPR25	Contractor pack - 10m of 25mm black polypropylene - 10 x glands & nuts
SPARES & ACCESSORIES	
R20B	Flexible conduit - 100m of 20mm black polypropylene conduit
R25B	Flexible conduit - 100m of 25mm black polypropylene conduit

**ROLLING CENTER
JBCOMBI
JUNCTION BOX**



JUNCTION BOX

JBCOMBI	308/5 - Junction box - 85 x 85 x 51mm - IP66 - grey
JBCOMBI2	607/5 - Junction box - 100 x 100 x 55mm - IP65 - grey



**WHATSAPP
TECHNICAL
SUPPORT**



**SCAN FOR
SUPPORT**





NEW

**HAYDON
CRIMP TOOL**

Crimp and cut the cable in one action. For use with Rapid fit connector in Cat5e (HAY-RJ45CAT5-50R)

This allows you to pass the cable through the connector without pre-trimming. Can also be used with any standard Cat5e or Cat6e non rapid fit connector.

RJ45 RAPID FIT CRIMP TOOL

HAY-RJ45T00LRAP	Haydon RJ45 Rapid fit crimp tool
HAY-RJ45CAT5-50RAP	RJ45 CAT5 rapid connectors - 50 pack



NEW

**HAYDON
CABLE TESTER**

Check continuity of RJ11& RJ45 Cable with an LED status display. Slow and fast test switch with lamp assist in dark environment.

Power: by 1 x DC 9V Battery (not included)

RJ45 CABLE TESTER

HAY-RJ45TEST	RJ45 cable tester
--------------	-------------------



NEW

**HAYDON
RJ45 CABLE TRACKER**

The cable tester sends a single solid tone or dual alternating tone to the cables or wires. Automatic scan for miss wiring, cable order errors, open and short circuit. Remotely test cable up to 1000 ft in length (remote kit included).

Cable Tester for UTP STP RJ45 (Manual Switch) complete with protective case. Track the cables or wires, diagnose any break points.

Power: by 2 x DC 9V Battery (not included)

RJ45 CABLE TRACKER

HAY-RJ45TRACK	RJ45 Cable tester/tracker
---------------	---------------------------



HAYDON
CABLE STRIPPER

CAT5 / 6e cable stripper to strip/cut telephone line, network cable and other cables (dia. 3.2mm-9mm)



CAT4/6E CABLE STRIPPER

HAY-UTPCABLESTRIP

To strip/cut telephone line, network cable and other cables (dia. 3.2mm-9mm)

ROLLING CENTER
SD.50
ARMOURED DOOR LOOP



ARMOURED DOOR LOOP

SD.50

Armoured door loop - 50cm - internal or external use

CDVI
ADL
ARMOURED DOOR LOOP



ARMOURED DOOR LOOP

ADL

Vandal resistant armoured door loop - 60cm - internal or external use



NEW

NICE BiDi-WiFi WIRELESS PROGRAMMING UNIT

Nice **BiDi-WiFi** module is a pocket programming interface that ensures simple and complete configuration of Nice Gate and Door automation through the **MyNice Pro app**, making installation procedures easy and efficient.

Perform all automation programming phases even while sitting comfortably in your vehicle.

WIRELESS PROGRAMMING CONTROL UNIT FOR NICE AUTOMATION

BiDi-WiFi

T4 BUS connection - plug-in programming control unit - for Nice automation



NICE O-VIEW PROGRAMMING UNIT

PROGRAMMING CONTROL UNIT FOR NICE AUTOMATION

OVIEW

T4 BUS connection - programming control unit - for Nice automation

SPARES & ACCESSORIES

IBT4N

OVIEW connection interface

O-VIEW CABLE

OVIEW 2m data cable - RJ11 connection

OVIEW PROGRAMMING UNIT

DIMENSIONAL & GENERAL DATA		OVIEW
GRAPHIC INTERFACE		LCD DISPLAY 128X64 DOTS (46X29MM) 2.2"
OPERATOR INPUT DEVICE		JOYPAD WITH 5 + 2 KEYS
DISPLAY/KEY LIGHTING		WHITE LIGHT
MAX COMMANDS PER HOUR		64
EVENT LOG		STORAGE CAPACITY 400 EVENTS
CONNECTION CABLE LENGTH		2M
POWER SUPPLY		SUPPLIED BY DEVICES ON BUS T4 NETWORK
ABSORBED CURRENT (MA)		MAX 20 WITHOUT ACCESSORIES
INSULATION		CLASS III
HOUSING PROTECTION RATING		IP20
WORKING TEMP (°C MIN/MAX)		-20 ÷ +55
DIMENSIONS (MM)		107 X 61 X 20 (WITH WALL MOUNT SUPPORT 125 X 70 X 32)
WEIGHT (G)		75 (WITHOUT CABLE)

'24
24

2024 TRADE CATALOGUE

GATE HARDWARE
GATE AUTOMATION
ACCESS CONTROL
GATE SAFETY
ALUMINIUM GATES

TEL. 0113 201 6677

SECTION D

INTERCOMS

AUDIO INTERCOMS	120
WIRELESS AUDIO INTERCOMS	124
VIDEO INTERCOMS	128
2 WIRE VIDEO INTERCOMS	134
GSM INTERCOMS	140
GSM VIDEO INTERCOMS	148
IP VIDEO INTERCOMS	152
ANPR & LPR CAMERA SYSTEMS	156



VIDEX 4000 SERIES SURFACE MOUNT AUDIO INTERCOM

Audio entry kits based on the **4000** Series modular design incorporating two way speech, electronic call tone and lock release facility.

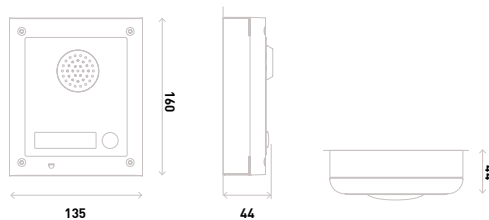
The door station is available **surface** or **flush** mounting with up to **12 call buttons** each with a back lit name plate.



SURFACE MOUNT AUDIO INTERCOM - 1 - 2 Button

4K-1S/M	4000 series - 1 button audio intercom system - matt finish - 3011 handset
4K-2S/M	4000 series - 2 button audio intercom system - matt finish - 3011 handset
SPARES & ACCESSORIES	
4881	1 module 4000 series surface mount back-box - gun metal grey
4891	1 module 4000 series rainshield
4836-1/M	Speaker & call button module - 4000 series - 1 call button - matt finish
4836-2/M	Speaker & call button module - 4000 series - 2 call button - matt finish
3011	3000 series - 1 button - audio handset
321	Boxed transformer 12v a/c 15va
322	Boxed transformed 13v ac

TECHNICAL INFO:



NICE ABOVEGROUND KITS

Turn to page **34**

Dimensions in: mm		VIDEX 4K-1S / 2S SURFACE MOUNT AUDIO INTERCOM	
POWER SUPPLY UNIT - 321		4K-1S	4K-2S
INPUT		230VAC	
OUTPUT		12VAC	
OUTDOOR STATION			
SPEECH UNIT RELAY		BUILT-IN 12VAC LOCK RELAY	
CALL BUTTONS		1	2
INDOOR STATION			
SERIES		3000 SERIES SMART RANGE	
BUTTONS		1: DOOR OPEN	
CONTROLS		CALL TONE VOLUME LEVEL (3 LEVELS)	
DIMENSIONAL & GENERAL DATA			
PROTECTION LEVEL		FOR EXTERNAL USE	
WORKING TEMP (°C MIN/MAX)		-10 - +50	
MOUNTING		SURFACE	



SURFACE MOUNT AUDIO INTERCOM - 1 - 2 Button with keypad

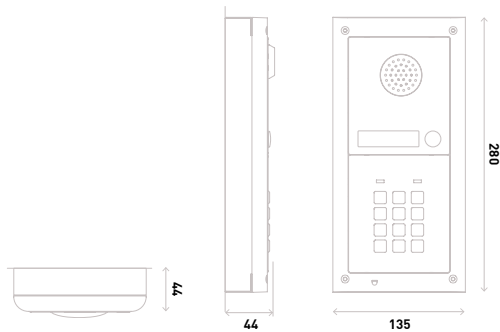
4K-1S/CL/M	4000 series - 1 button audio intercom system - with keypad - matt finish - 3011 handset
4K-2S/CL/M	4000 series - 2 button audio intercom system - with keypad - matt finish - 3011 handset
SPARES & ACCESSORIES	
4882	2 module 4000 series surface mount back-box - gun metal grey
4892	2 module 4000 series rainshield
4836-1/M	Speaker & call button module - 4000 series - 1 call button - matt finish
4836-2/M	Speaker & call button module - 4000 series - 2 call button - matt finish
4901/M	4000 series keypad module - backlit buttons - matt finish
3011	3000 series - 1 button - audio handset
321	Boxed transformer 12v a/c 15va
322	Boxed transformed 13v ac

VIDEX 4000 SERIES SURFACE MOUNT AUDIO INTERCOM WITH KEYPAD

Audio entry kits based on the **4000** Series modular design incorporating two way speech, electronic call tone and lock release facility.

The door station is available **surface** or **flush** mounting with up to **12 call buttons** each with a back lit name plate.

TECHNICAL INFO:



FLUSH MOUNT OPTION ALSO AVAILABLE

Speak with our sales team for more information on 0113 201 6677 or email Info@rollingcenter.co.uk

VIDEX 4000 SERIES SURFACE MOUNT AUDIO INTERCOM			
POWER SUPPLY UNIT - 321		4K-1S/CL	4K-2S/CL
INPUT		230VAC	
OUTPUT		12VAC	
OUTDOOR STATION			
SPEECH UNIT RELAY		BUILT-IN 12VAC LOCK RELAY	
KEYPAD RELAYS		3	
CALL BUTTONS		1	2
CODES		3	
INDOOR STATION			
SERIES		3000 SERIES SMART RANGE	
BUTTONS		1: DOOR OPEN	
CONTROLS		CALL TONE VOLUME LEVEL (3 LEVELS)	
DIMENSIONAL & GENERAL DATA			
PROTECTION LEVEL		FOR EXTERNAL USE	
WORKING TEMP (°C MIN/MAX)		-10 - +50	
MOUNTING		SURFACE	

NEED MAGNETIC LOCKS?

See page **158** for details



VIDEX 8000 SERIES SURFACE MOUNT AUDIO INTERCOM

The **8000** series audio 1 button kit allows calls to be answered on a standard B.T. type telephone removing the need for a dedicated intercom telephone and allowing the user to answer both telephone line calls and door panel calls from the same phone.

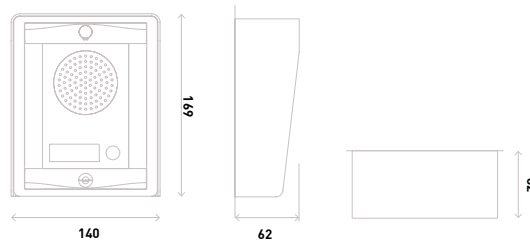
The door station is available **surface** or **flush** mounting with up to **12 call buttons** each with a back lit name plate.



SURFACE MOUNT AUDIO INTERCOM - 1 - 2 Button

8K-1S	8000 series - 1 button audio intercom system - matt finish - 3011 handset
8K-2S	8000 series - 2 button audio intercom system - matt finish - 3011 handset
SPARES & ACCESSORIES	
8881	1 module 8000 series surface mount back-box - gun metal grey
8871	1 module 8000 series rainshield
8836-1	Speaker & call button module - 8000 series - 1 call button - matt finish
8836-2	Speaker & call button module - 8000 series - 2 call button - matt finish
3011	3000 series - 1 button - audio handset
321	Boxed transformer 12v a/c 15va
322	Boxed transformed 13v ac

TECHNICAL INFO:



FLUSH MOUNT OPTION ALSO AVAILABLE

Speak with our sales team for more information on **0113 201 6677** or email **Info@rollingcenter.co.uk**

WE HAVE A FULL RANGE OF INTERCOMS AVAILABLE AT COMPETITIVE PRICES

If you don't see what you're looking for call us on **0113 201 6677** or email **Info@rollingcenter.co.uk**

Dimensions in: mm		VIDEX 8000 SERIES SURFACE MOUNT AUDIO INTERCOM	
POWER SUPPLY UNIT - 321		8K-1S	8K-2S
INPUT		230VAC	
OUTPUT		12VAC	
OUTDOOR STATION		BUILT-IN 12VAC LOCK RELAY	
SPEECH UNIT RELAY			
CALL BUTTONS		1	2
INDOOR STATION		3000 SERIES SMART RANGE	
SERIES			
BUTTONS		1: DOOR OPEN	
CONTROLS		CALL TONE VOLUME LEVEL (3 LEVELS)	
DIMENSIONAL & GENERAL DATA		FOR EXTERNAL USE	
PROTECTION LEVEL			
WORKING TEMP (°C MIN/MAX)		-10 - +50	
MOUNTING		SURFACE	



SURFACE MOUNT AUDIO INTERCOM - 1 - 2 Button with keypad

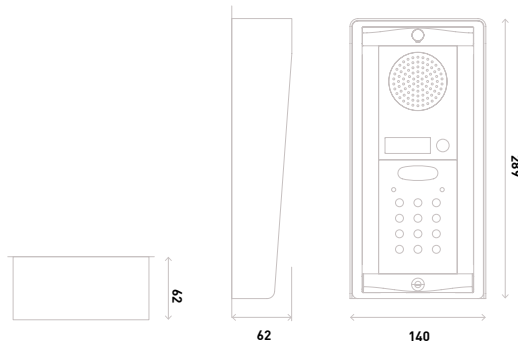
8K-1S/CL	8000 series - 1 button audio intercom system - with keypad - matt finish - 3011 handset
8K-2S/CL	8000 series - 2 button audio intercom system - with keypad - matt finish - 3011 handset
SPARES & ACCESSORIES	
8882	2 module 8000 series surface mount back-box - gun metal grey
8872	2 module 8000 series rainshield
8836-1	Speaker & call button module - 8000 series - 1 call button - matt finish
8836-2	Speaker & call button module - 8000 series - 2 call button - matt finish
VX8800	8000 series keypad module - illuminated buttons - matt finish
3011	3000 series - 1 button - audio handset
321	Boxed transformer 12v a/c 15va
322	Boxed transformed 13v ac

VIDEX 8000 SERIES SURFACE MOUNT AUDIO INTERCOM WITH KEYPAD

This **8000** series audio 1 button kit allows calls to be answered on a standard B.T. type telephone removing the need for a dedicated intercom telephone and allowing the user to answer both telephone line calls and door panel calls from the same phone.

The door station is available **surface** or **flush** mounting with up to **12 call buttons** each with a back lit name plate.

TECHNICAL INFO:



VIDEX 8000 SERIES SURFACE MOUNT AUDIO INTERCOM		
POWER SUPPLY UNIT - 321	8K-1S/CL	8K-2S/CL
INPUT	230VAC	
OUTPUT	12VAC	
OUTDOOR STATION		
SPEECH UNIT RELAY	BUILT-IN 12VAC LOCK RELAY	
KEYPAD RELAYS	2	
CALL BUTTONS	1	2
CODES	2	
INDOOR STATION		
SERIES	3000 SERIES SMART RANGE	
BUTTONS	1: DOOR OPEN	
CONTROLS	CALL TONE VOLUME LEVEL (3 LEVELS)	
DIMENSIONAL & GENERAL DATA		
PROTECTION LEVEL	FOR EXTERNAL USE	
WORKING TEMP (°C MIN/MAX)	-10 - +50	
MOUNTING	SURFACE	

FLUSH MOUNT OPTION ALSO AVAILABLE

Speak with our sales team for more information on 0113 201 6677 or email Info@rollingcenter.co.uk

NICE ROBUS KIT 3 SLIDING GATE KIT UP TO 1000KG

Turn to page 12



DAITEM SC901AU SURFACE MOUNT WIRELESS AUDIO INTERCOM

This wireless audio kit is versatile and simple to install as no cabling is required between the entry panel and handset. It is perfectly suited for homes with a gate entrance.

The controller included within this kit houses the radio transmission control board with a built-in antenna. It connects and supplies power to the entry panel as well as allowing connection of additional devices which can be controlled via the wireless handset.

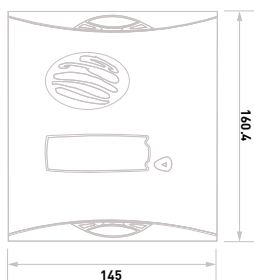
The surface mount panel has a built-in proximity reader which allows users to the access building by presenting their fob to the reader, which then activates the door lock release. The panel is also supplied with a vandal resistant face plate, which protects the panel in bad weather conditions.



SURFACE MOUNT WIRELESS AUDIO INTERCOM - 1 Button

SC901AU	1 button - wireless audio kit - 1 indoor handset - built-in proximity reader
SPARES & ACCESSORIES	
MHF01X	1 button wireless audio panel
DB601	Armoured cover for 1 button outdoor caller unit
SC200AU	12v powered controller
SC100AU	Wireless audio handset
MTU01X	Handset battery 3.6v-200mah lithium-ion
SH804AX	Proximity tag
12V-1A-PSU	12v power supply with 1 amp output includes a 2.4m lead and UK plug

TECHNICAL INFO:



HAYDON 12V 1A POWER SUPPLY UNIT

Turn to page **103**

Dimensions in: mm		DAITEM SURFACE MOUNT WIRELESS INTERCOM
ELECTRICAL DATA		SC901AU
INPUT		230VAC
OUTPUT		12/24VAC OR 12/30VDC
OUTDOOR STATION - SPEAKER UNIT		
RELAY		1X 12V - 1X VOLT FREE RELAY (C, NO, NC)
CALL BUTTONS		1
DIMENSIONAL & GENERAL DATA		
PROTECTION LEVEL		IP 54 (OUTDOOR CALLER & CONTROL UNIT)
MOUNTING		SURFACE
OPERATING TEMP (°C MIN/MAX)		-20 - +70



**DAITEM
SC902AU / SC902AU2
SURFACE MOUNT
WIRELESS AUDIO
INTERCOM WITH KEYPAD**

This wireless audio kit is perfectly suitable for a single residential home with a gate entrance. It is also simple to install as no cabling is required between the entry panel and the handset.

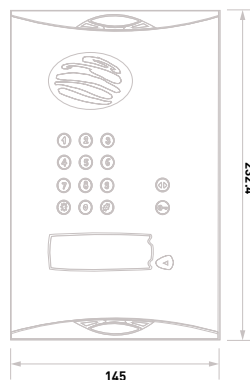
The controller included in this kit houses the radio transmission control board which also has a built-in antenna. It supplies power to the entry panel as well as allows the connection of additional devices which can be controlled via the wireless handset.

The surface mount panel has a built-in proximity reader and a keypad which allows to enter the building by using the fob or a user code, which then activates the door lock release. The panel is also supplied with a vandal resistant face plate which protects it from bad weather conditions.

SURFACE MOUNT AUDIO INTERCOM - 1 - 2 Button with keypad

SC902AU	1 button - wireless audio kit - 1 indoor handset - built-in proximity reader
SC902AU2	2 button - wireless audio kit - 2 indoor handsets - built-in proximity reader
SPARES & ACCESSORIES	
MHF02X	2 button wireless audio panel
DB721	Armoured cover for 1 button with keypad outdoor caller unit
DB722	Armoured cover for 2 button with keypad outdoor caller unit
SC200AU	12v powered controller
SC100AU	Wireless audio handset
MTU01X	Handset battery 3.6v-200mah lithium-ion
SH804AX	Proximity tag
12V-1A-PSU	12v power supply with 1 amp output includes a 2.4m lead and UK plug

TECHNICAL INFO:



Dimensions in: mm

DAITEM SURFACE MOUNT WIRELESS INTERCOM

ELECTRICAL DATA		SC902AU
INPUT		230VAC
OUTPUT		12/24VAC OR 12/30VDC
OUTDOOR STATION - SPEAKER UNIT		
RELAY		1X 12V - 1X VOLT FREE RELAY (C, NO, NC)
CALL BUTTONS		1
DIMENSIONAL & GENERAL DATA		
PROTECTION LEVEL		IP 54 (OUTDOOR CALLER & CONTROL UNIT)
MOUNTING		SURFACE
OPERATING TEMP (°C MIN/MAX)		-20 - +70

CAN'T SEE WHAT YOU'RE LOOKING FOR?

Our friendly team are here to help.
Call us on **0113 201 6677** or email Info@rollingcenter.co.uk



AES 603 D.E.C.T SURFACE MOUNT WIRELESS AUDIO INTERCOM

The AES 603 range is ideal for when an entrance is a long distance from the main building, this wireless kit uses DECT technology for perfect audio quality over a long range.

Working range of 200 meters, up to 400 meters open field conditions. Blue back lighting illumination from behind the curved sides (AB & AS versions). Illuminated stainless steel push button. Gate Door release relay built in

Available in three styles:

603-AB - Architectural model made from stainless steel with black acrylic fascia.

603-AS - Architectural model made from stainless steel with stainless fascia.

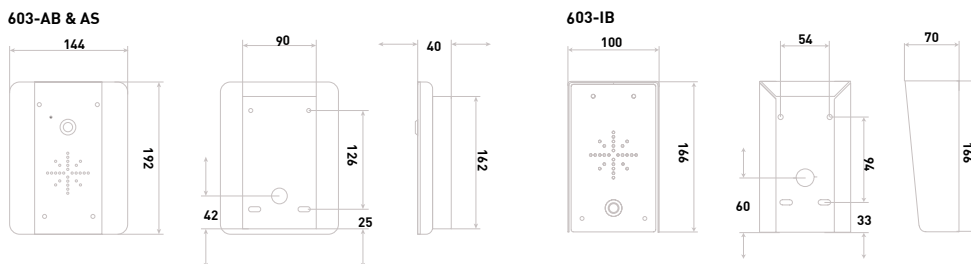
603-IB - Imperial model made from powder coated aluminium hood and black toughened acrylic faceplate trim.



SURFACE MOUNT WIRELESS AUDIO INTERCOM - 1 Button

603-AB	Black - curved architectural model - blue back lighting effect
603-AS	Silver - curved architectural model - blue back lighting effect
603-IB	Black - imperial model - blue back lighting effect
SPARES & ACCESSORIES	
603-T0-V2	603 replacement transmitter kit
603-EH-BLK	603 extra portable handset
603-WIFIA	Range extending antenna kit
KP-AES-ASSM	Keypad module assembly for AES panel (blue)

TECHNICAL INFO:



FLUSH MOUNT OPTION ALSO AVAILABLE

Speak with our sales team for more information on 0113 201 6677 or email Info@rollingcenter.co.uk

LOCINOX MAG & MAGMAG MAGNETIC GATE LOCKS

Turn to page 162

Dimensions in: mm		AES D.E.C.T SERIES AUDIO WIFI INTERCOM
OUTDOOR UNIT		603-AB / AS / IB
INPUT		230VAC
OUTPUT		24V AC/DC (24VDC 2A ADAPTOR INCLUDED)
CURRENT		65MA STANDBY - 400MA OPERATIONAL
RELAYS		2 - C, NO, NC
INDOOR UNIT		603-AB / AS / IB
INPUT		CHARGING BASE 5V DC - WALL UNIT 12V DC
VOLUME ADJUST		YES
VOICEMAIL CAPACITY		16
CALLING BETWEEN HANDSETS		YES
DIMENSIONAL & GENERAL DATA		
PROTECTION LEVEL		SPEECH UNIT IP55 - TRANSMITTER IP65
RANGE		400M OUTDOORS - 200M INDOORS
MOUNTING		SURFACE



SURFACE MOUNT WIRELESS AUDIO INTERCOM - 1 Button with keypad

603-ABK	Black - curved architectural model - blue back lighting effect - with keypad
603-ASK	Silver - curved architectural model - blue back lighting effect - with keypad
603-IBK	Black - imperial model - blue back lighting effect - with keypad
SPARES & ACCESSORIES	
603-TO-V2	603 replacement transmitter kit
603-EH-BLK	603 extra portable handset
603-WIFIA	Range extending antenna kit
KP-AES-ASSM	Keypad module assembly for AES panel (blue)

AES 603 D.E.C.T SURFACE MOUNT WIRELESS AUDIO INTERCOM WITH KEYPAD

The **AES 603** range with **keypad** is ideal for when an entrance is a long distance from the main building, this wireless kit uses DECT technology for perfect audio quality over a long range. Working range of 200 meters, up to 400 meters open field conditions. Blue back lighting illumination from behind the curved sides (**AB & AS** versions). Illuminated stainless steel push button.

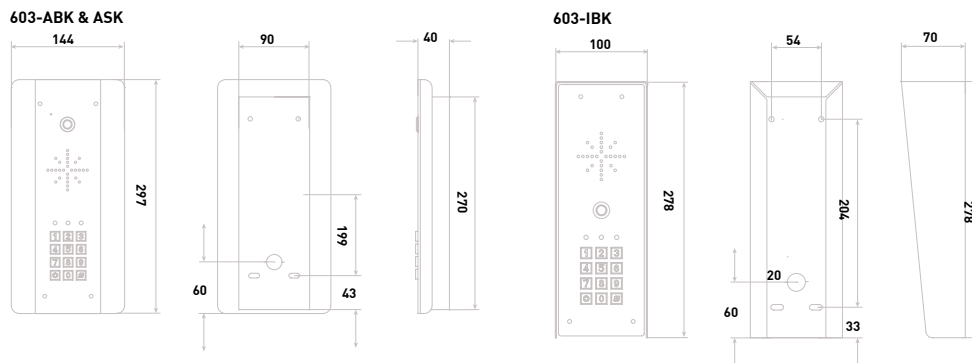
The keypad now includes 3 relays and controls gate or door latch release momentary operation and many additional operations. The keypad and release button are illuminated with neon blue lighting.

Available in three styles:
603-ABK - Architectural model made from stainless steel with black acrylic fascia.

603-ASK - Architectural model made from stainless steel with stainless fascia.

603-IBK - Imperial model made from powder coated aluminium hood and black toughened acrylic faceplate trim.

TECHNICAL INFO:



Dimensions in: mm		AES D.E.C.T SERIES AUDIO WIFI INTERCOM WITH KEYPAD
603-ABK / ASK / IBK		
INPUT	230VAC	
OUTPUT	24V AC/DC (24VDC 2A ADAPTOR INCLUDED)	
CURRENT	65MA STANDBY - 400MA OPERATIONAL	
RELAYS	2 - C, NO, NC	
603-AB / AS / IB		
INPUT	CHARGING BASE 5V DC - WALL UNIT 12V DC	
VOLUME ADJUST	YES	
VOICEMAIL CAPACITY	16	
CALLING BETWEEN HANDSETS	YES	
DIMENSIONAL & GENERAL DATA		
PROTECTION LEVEL	SPEECH UNIT IP55 - TRANSMITTER IP65	
RANGE	400M OUTDOORS - 200M INDOORS	
MOUNTING	SURFACE	

FLUSH MOUNT OPTION ALSO AVAILABLE

Speak with our sales team for more information on 0113 201 6677 or email Info@rollingcenter.co.uk

ROLLING CENTER WHATSAPP TECHNICAL?

Scan the QR code for instant help



VIDEX 4000 SERIES SURFACE MOUNT VIDEO INTERCOM

The 4000 series video entry panels include DDA compliant reassurance tones and call progress LED's for: call in progress, system busy, speak and door open. Non-coax (balanced video pair) colour videokit.

The flexible design allows for the addition of up to a total of 4 door entry panels (with additional 506N relays) with up to 4 video handsets per call button. The system also benefits from intercommunication calls between the videophones within the same apartment or between videophones in different apartments.

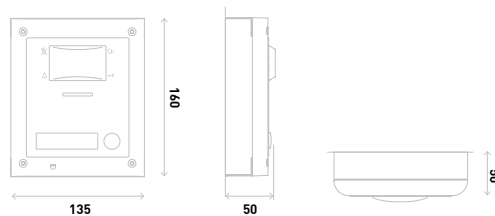
The door station is available **surface** or **flush** mounting with a back lit name plate.



SURFACE MOUNT VIDEO INTERCOM - 1 - 2 Button

VK4K-1S	4000 series - 1 button - video intercom - matt finish
VK4K-2S	4000 series - 2 button - video intercom - matt finish
CHOOSE YOUR VIDEO MONITOR	
6256	6200 series colour videophone - 3.5" LCD monitor - with handset
6358	6300 series colour videophone - 3.5" LCD monitor - hands free
6458	6400 series colour videophone - 4.3" LCD monitor - hands free
6758	6700 series colour videophone - 7" LCD monitor - hands free
SPARES & ACCESSORIES	
4881	1 module 4000 series surface mount back-box - gun metal grey
4891	1 module 4000 series rainshield
4833X-1/M	Speaker, camera & call button module - 4000 series - 1 call button - matt finish
4833X-2/M	Speaker, camera & call button module - 4000 series - 2 call button - matt finish
850K	Boxed transformed 24vac 1.0a

TECHNICAL INFO:



FLUSH MOUNT OPTION ALSO AVAILABLE

Speak with our sales team for more information on 0113 201 6677 or email Info@rollingcenter.co.uk

SCAN FOR WHATSAPP SALES

VIDEX 4000 SERIES SURFACE MOUNT VIDEO INTERCOM		
POWER SUPPLY UNIT - 850K	VK4K-1S	VK4K-2S
INPUT	230VAC	
OUTPUT	24VAC	
OUTDOOR STATION - SPEAKER UNIT		
CAMERA	COLOUR CAMERA WITH WHITE LIGHT ILLUMINATION LEDs	
SPEECH UNIT RELAY	BUILT-IN LOCK RELAY DRY CONTACTS C, NC, NO OR CAPACITOR DISCHARGE	
LEDs	4: BUSY, RING, SPEAK, DOOR OPEN	
CALL BUTTONS	1	2
DIMENSIONAL & GENERAL DATA		
PROTECTION LEVEL	FOR EXTERNAL USE	
WORKING TEMP (°C MIN/MAX)	-10 - +50	
MOUNTING	SURFACE	



SURFACE MOUNT VIDEO INTERCOM - 1 - 2 Button with keypad

VK4KC-1S	4000 series - 1 button with keypad - video intercom - matt finish
VK4KC-2S	4000 series - 2 button with keypad - video intercom - matt finish
CHOOSE YOUR VIDEO MONITOR	
6256	6200 series colour videophone - 3.5" LCD monitor - with handset
6358	6300 series colour videophone - 3.5" LCD monitor - hands free
6458	6400 series colour videophone - 4.3" LCD monitor - hands free
6758	6700 series colour videophone - 7" LCD monitor - hands free
SPARES & ACCESSORIES	
4882	2 module 4000 series surface mount back-box - gun metal grey
4892	2 module 4000 series rainshield
4833X-1/M	Speaker, camera & call button module - 4000 series - 1 call button - matt finish
4833X-2/M	Speaker, camera & call button module - 4000 series - 2 call button - matt finish
4901/M	4000 series keypad module - backlit buttons - matt finish
850K	Boxed transformed 24vac 1.0a

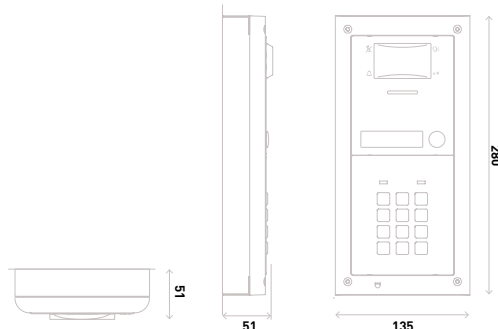
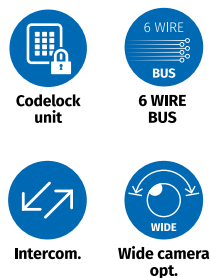
VIDEX 4000 SERIES SURFACE MOUNT VIDEO INTERCOM WITH KEYPAD

The **4000** series video entry panels include DDA compliant reassurance tones and call progress LED's for: call in progress, system busy, speak and door open. Non-coax (balanced video pair) colour videokits.

The flexible design allows for the addition of up to a total of 4 door entry panels (with additional **506N** relays) with up to 4 video handsets per call button. The system also benefits from intercommunication calls between the videophones within the same apartment or between videophones in different apartments.

The door station is available **surface** or **flush** mounting with a back lit name plate.

TECHNICAL INFO:



FLUSH MOUNT OPTION ALSO AVAILABLE

Speak with our sales team for more information on 0113 201 6677 or email Info@rollingcenter.co.uk

VIDEX 4000 SERIES SURFACE MOUNT VIDEO INTERCOM		
POWER SUPPLY UNIT - 850K	VK4KC-1S	VK4KC-2S
INPUT	230VAC	
OUTPUT	24VAC	
OUTDOOR STATION - SPEAKER & CODELOCK UNIT		
CAMERA	COLOUR CAMERA WITH WHITE LIGHT ILLUMINATION LEDs	
SPEAKER UNIT RELAY	BUILT-IN LOCK RELAY DRY CONTACTS C, NC, NO OR CAPACITOR DISCHARGE	
LEDs	4: BUSY, RING, SPEAK, DOOR OPEN	
KEYPAD RELAYS	3	
CALL BUTTONS	1	2
CODES	3	
DIMENSIONAL & GENERAL DATA		
PROTECTION LEVEL	FOR EXTERNAL USE	
WORKING TEMP (°C MIN/MAX)	-10 - +50	
MOUNTING	SURFACE	

NICE ROBUS KIT 1 UP TO 600KG SLIDING GATE AUTOMATION

Turn to page 12



VIDEX 8000 SERIES SURFACE MOUNT VIDEO INTERCOM

1 and 2 button **8000** series colour videokit. The flexible design allows for the addition of up to a total of 4 entrance doors (using additional **506N** relays) and up to 4 video handsets per call button with intercommunication between the handsets in the same apartment or video handsets in different apartments.

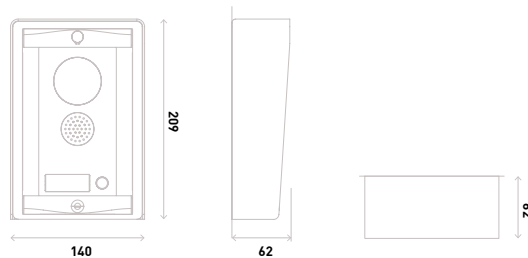
The video entry panels (8833-1/C and 8833-2/C) incorporates a high quality colour camera with auto iris lens and white illumination LEDs. The system does not require coaxial cable as it uses a balanced video pair V1 and V2. The camera module also has a unit address adjustment (for 4 door setup), conversation time and reassurance tone controls.



SURFACE MOUNT VIDEO INTERCOM - 1 - 2 Button

VK8K-1S	8000 series - 1 button - video intercom system
VK8K-2S	8000 series - 2 button - video intercom system
CHOOSE YOUR VIDEO MONITOR	
6256	6200 series colour videophone - 3.5" LCD monitor - with handset
6358	6300 series colour videophone - 3.5" LCD monitor - hands free
6458	6400 series colour videophone - 4.3" LCD monitor - hands free
6758	6700 series colour videophone - 7" LCD monitor - hands free
SPARES & ACCESSORIES	
8885	1 Module 8000 series surface mount back-box - gun metal grey - with rainshield
8833-1/C	Speaker, camera & call button module - 8000 series - 1 call button - matt finish
8833-2/C	Speaker, camera & call button module - 8000 series - 2 call button - matt finish
850K	Boxed transformed 24vac 1.0a

TECHNICAL INFO:



FLUSH MOUNT OPTION ALSO AVAILABLE

Speak with our sales team for more information on 0113 201 6677 or email Info@rollingcenter.co.uk

BENINCA HEAVY DUTY HYDRAULIC SWING GATE AUTOMATION

Turn to page **44**

Dimensions in: mm		VIDEX 8000 SERIES SURFACE MOUNT VIDEO INTERCOM	
ELECTRICAL DATA		VK8K-1S	VK8K-2S
INPUT		230VAC	
OUTPUT		24VAC	
OUTDOOR STATION - SPEAKER UNIT			
CAMERA		COLOUR CAMERA WITH WHITE LIGHT ILLUMINATION LEDs	
SPEECH UNIT RELAY		BUILT-IN LOCK RELAY DRY CONTACTS C, NC, NO OR CAPACITOR DISCHARGE	
CALL BUTTONS		1	2
DIMENSIONAL & GENERAL DATA			
PROTECTION LEVEL		FOR EXTERNAL USE	
WORKING TEMP (°C MIN/MAX)		-10 - +50	
MOUNTING		SURFACE	



SURFACE MOUNT VIDEO INTERCOM - 1 - 2 Button with keypad

VK8KC-1S	8000 series - 1 button with keypad - video intercom system
VK8KC-2S	8000 series - 2 button with keypad - video intercom system
CHOOSE YOUR VIDEO MONITOR	
6256	6200 series colour videophone - 3.5" LCD monitor - with handset
6358	6300 series colour videophone - 3.5" LCD monitor - hands free
6458	6400 series colour videophone - 4.3" LCD monitor - hands free
6758	6700 series colour videophone - 7" LCD monitor - hands free
SPARES & ACCESSORIES	
8887	2 module 8000 series surface mount back-box - gun metal grey - with rainshield
8833-1/C	Speaker, camera & call button module - 8000 series - 1 call button - matt finish
8833-2/C	Speaker, camera & call button module - 8000 series - 2 call button - matt finish
VX8800	8000 series keypad module - illuminated buttons - matt finish
850K	Boxed transformed 24vac 1.0a

VIDEX 8000 SERIES SURFACE MOUNT VIDEO INTERCOM WITH KEYPAD

1 and 2 button **8000** series colour videocode kits. The flexible design allows for the addition of up to a total of 4 entrance doors and up to 4 video handsets per call button with intercommunication between the handsets. Other facilities include adjustable call tone and time, camera recall (selectable), timed mute facility with led indication.

Door panels have adjustable reassurance tone and call progress LED's for calling, speak, door open and system busy. The system does not require coaxial cable. Available in surface (S) or flush with aluminium or black (BL) surround. The codelock has 2 codes, 2 changeover relay outputs and an override input. It can be programmed from 1-99 seconds or latching output.

TECHNICAL INFO:



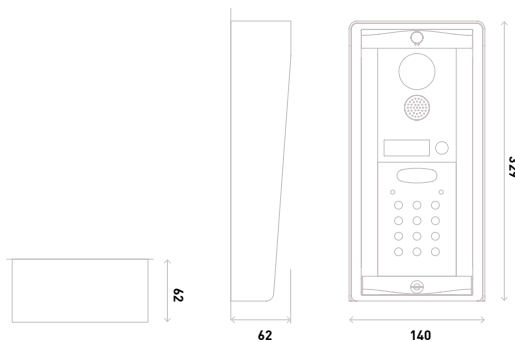
Codelock unit



6 WIRE BUS



Intercom.



FLUSH MOUNT OPTION ALSO AVAILABLE

Speak with our sales team for more information on 0113 201 6677 or email Info@rollingcenter.co.uk

LOOKING FOR SLIDING GATE AUTOMATION EQUIPMENT?

Visit www.rollingcenter.co.uk or call 0113 201 6677 for more information.

VIDEX 8000 SERIES SURFACE MOUNT VIDEO INTERCOM		
ELECTRICAL DATA	VK8KC-1S	VK8KC-2S
INPUT	230VAC	
OUTPUT	24VAC	
OUTDOOR STATION - SPEAKER & CODELOCK UNIT		
CAMERA	COLOUR CAMERA WITH WHITE LIGHT ILLUMINATION LEDS	
SPEAKER UNIT RELAY	BUILT-IN LOCK RELAY DRY CONTACTS C, NC, NO OR CAPACITOR DISCHARGE	
KEYPAD RELAYS	2	
CALL BUTTONS	1	2
CODES	2	
DIMENSIONAL & GENERAL DATA		
PROTECTION LEVEL	FOR EXTERNAL USE	
WORKING TEMP (°C MIN/MAX)	-10 - +50	
MOUNTING	SURFACE	



AES STYLUSCOM SERIES SURFACE MOUNT VIDEO INTERCOM

The **Styluscom-AB** (without keypad) system allows you to receive video intercom calls from your doors or gates, allowing you to allow (or deny) access to visitors. With additional dome or bullet cameras available to be linked into the system, you can now monitor other areas of interest at any given time to give you peace of mind.

It is also possible to override the door station camera with an overhead dome or bullet camera, giving you much more diversity in terms of how you want to view visitors to the door.

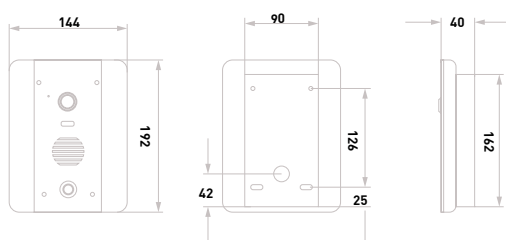
Built into the system is the option to record still images from the front door station every time a visitor calls.



SURFACE MOUNT VIDEO INTERCOM - 1 Button

STYLUS-VID-AB-EU	Black - video intercom - curved architectural model - blue back lighting effect
SPARES & ACCESSORIES	
STYLUS-VID-4.3-EU	Additional monitor (white)
KP-AES-ASSM	Keypad module assembly for AES panel (blue)
KPW-AES-ASSM	Keypad module assembly for AES panel (white)
SC-MAIN-PCBA-V2	Control PCB for Styluscom, camera PCBA & MIC

TECHNICAL INFO:



FLUSH MOUNT OPTION ALSO AVAILABLE

Speak with our sales team for more information on 0113 201 6677 or email Info@rollingcenter.co.uk

ROLLING CENTER COMPOSITE FENCE BOARDS

Turn to page 258

AES STYLUS VIDEO INTERCOM	
ELECTRICAL DATA	
STYLUSCOM-AB	
INPUT	230VAC
OUTPUT	24V AC/DC (24VDC 2A ADAPTOR INCLUDED)
CURRENT	750MA MAX - 2A PEAK DEMAND WITH 1 MONITOR (EACH ADDITIONAL MONITOR +600MA)
RELAY LOAD	2A 24V AC MAX
RELAY TYPE	C, NO, NC
RELAYS	2
MONITOR POWER SUPPLY	12VDC FROM BOARD
CAMERA	110° VIEWING ANGLE 800TVL QUALITY
DIMENSIONAL & GENERAL DATA	
PROTECTION LEVEL	IP55
MOUNTING	SURFACE



SURFACE MOUNT VIDEO INTERCOM - 1 Button with keypad

STYLUS-VID-ABK-EU	Black - video intercom - curved architectural model - blue back lighting effect
SPARES & ACCESSORIES	
STYLUS-VID-4.3-EU	Additional monitor (white)
KP-AES-ASSM	Keypad module assembly for AES panel (blue)
KPW-AES-ASSM	Keypad module assembly for AES panel (white)
SC-MAIN-PCBA-V2	Control PCB for Styluscom, camera PCBA & MIC

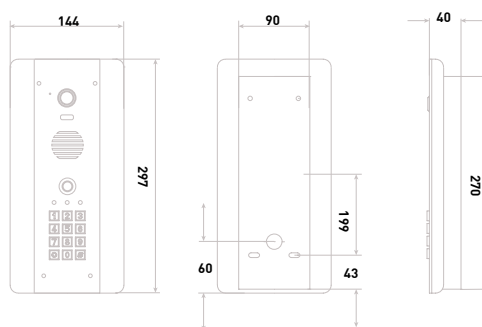
**AES
STYLUSCOM SERIES
SURFACE MOUNT
VIDEO INTERCOM
WITH KEYPAD**

The **Styluscom-ABK** (with keypad) system allows you to receive video intercom calls from your doors or gates, allowing you to allow (or deny) access to visitors. With additional dome or bullet cameras available to be linked into the system, you can now monitor other areas of interest at any given time to give you peace of mind.

It is also possible to override the door station camera with an overhead dome or bullet camera, giving you much more diversity in terms of how you want to view visitors to the door.

Built into the system is the option to record still images from the front door station every time a visitor calls.

TECHNICAL INFO:



AES STYLUS VIDEO INTERCOM WITH KEYPAD	
STYLUSCOM-ABK	
ELECTRICAL DATA	
INPUT	230VAC
OUTPUT	24V AC/DC (24VDC 2A ADAPTOR INCLUDED)
CURRENT	850MA MAX - 2A PEAK DEMAND WITH 1 MONITOR (EACH ADDITIONAL MONITOR +600MA)
RELAY LOAD	2A 24V AC MAX
RELAY TYPE	C, NO, NC
RELAYS	2
MONITOR POWER SUPPLY	12VDC FROM BOARD
CAMERA	110° VIEWING ANGLE 800TVL QUALITY
DIMENSIONAL & GENERAL DATA	
PROTECTION LEVEL	IP55
MOUNTING	SURFACE

**FLUSH MOUNT
OPTION ALSO
AVAILABLE**

Speak with our sales team for more information on 0113 201 6677 or email Info@rollingcenter.co.uk

**REGISTER FOR A
TRADE ACCOUNT
TODAY
TO RECEIVE TRADE
DISCOUNTS**

Call us on 0113 201 6677 our friendly team are here to help.



VIDEX ESVKX SERIES SURFACE MOUNT 2 WIRE VIDEO INTERCOM

The **ESVKX** series "True" 2 wire colour videokit with **proximity** are available as **1** or **2** button **4000** series colour videokit where the flexible design allows for up to a total of 4 videophones per call button with the facility for intercommunication between the videophones in the same apartment or intercommunication between videophones in different apartments.

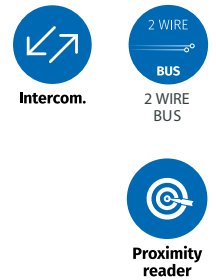
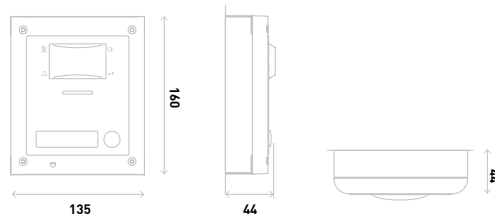
The door station is available **surface** or **flush** mounting with a back lit name plate with a choice of 4 different videophone options from the **6286**, **6388**, **6488** and **6788** series range.



SURFACE MOUNT 2 WIRE VIDEO INTERCOM - 1 - 2 Button

ESVKX-1S	4000 series 2 wire video - 1 button - video intercom - matt finish
ESVKX-2S	4000 series 2 wire video - 2 button - video intercom - matt finish
CHOOSE YOUR VIDEO MONITOR	
6286	6200 series colour videophone - 3.5" LCD monitor - with handset
6388	6300 series colour videophone - 3.5" LCD monitor - hands free
6488	6400 series colour videophone - 4.3" LCD monitor - hands free
6788	6700 series colour videophone - 7" LCD monitor - hands free
VIDEO MONITOR CHOICES	
4881	1 Module 4000 series surface mount back-box - gun metal grey
4384X-1/M	Speaker, camera & call button module - 4000 series - 1 call button - matt finish
4384X-2/M	Speaker, camera & call button module - 4000 series - 2 call button - matt finish
2321	Boxed transformed 32vdc current 0.8a
955/T	EM4002 formate proximity tag 125khz

TECHNICAL INFO:



**FLUSH MOUNT
OPTION ALSO
AVAILABLE**

Speak with our sales team for more information on **0113 201 6677** or email **Info@rollingcenter.co.uk**

**ROLLING CENTER
CANTILEVER
SYSTEMS**

See page **215** for details

VIDEX 4000 SERIES 2 WIRE SURFACE MOUNT VIDEO INTERCOM		
POWER SUPPLY UNIT - 2321	ESVKX-1S	ESVKX-2S
INPUT	230VAC	
OUTPUT	32VDC	
OUTDOOR STATION - SPEAKER UNIT		
CAMERA	COLOUR CAMERA WITH WHITE LIGHT ILLUMINATION LEDs	
SPEECH UNIT RELAY	BUILT-IN LOCK RELAY DRY CONTACTS C, NC, NO OR CAPACITOR DISCHARGE	
LEDs	4: BUSY, RING, SPEAK, DOOR OPEN	
CALL BUTTONS	1	2
PROXIMITY	PROXIMITY READER 125KHZ UP TO 50 TAGS	
DIMENSIONAL & GENERAL DATA		
PROTECTION LEVEL	FOR EXTERNAL USE	
WORKING TEMP (°C MIN/MAX)	-10 - +50	
MOUNTING	SURFACE	



SURFACE MOUNT VIDEO INTERCOM - 1 - 2 Button with keypad

ESVKC-1S	4000 series 2 wire video - 1 button with keypad - video intercom - matt finish
ESVKC-2S	4000 series 2 wire video - 2 button with keypad - video intercom - matt finish

CHOOSE YOUR VIDEO MONITOR

6286	6200 series colour videophone - 3.5" LCD monitor - with handset
6388	6300 series colour videophone - 3.5" LCD monitor - hands free
6488	6400 series colour videophone - 4.3" LCD monitor - hands free
6788	6700 series colour videophone - 7" LCD monitor - hands free

SPARES & ACCESSORIES

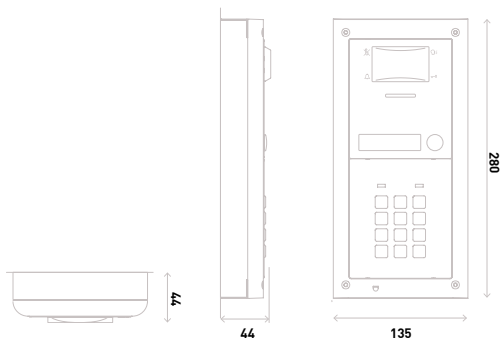
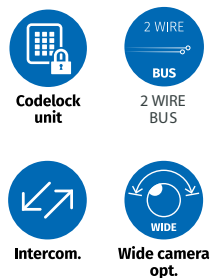
4882	2 Module 4000 series surface mount back-box - gun metal grey
4384X-1/M	Camera & speaker module - 4000 series - 1 call button - matt finish
4384X-2/M	Camera & speaker module - 4000 series - 2 call button - matt finish
4901/M	4000 series keypad module - backlit buttons - matt finish
2321	Boxed transformed 32vdc current 0.8a
2322	Keypad power PSU

**VIDEX
ESVKC
SURFACE MOUNT 2 WIRE
VIDEO INTERCOM
WITH KEYPAD**

The **ESVKC** series "True" 2 wire colour videokits with codelock and **proximity** are available as **1** or **2** button **4000** series colour videokits where the flexible design allows for up to a total of 4 videophones per call button with the facility for intercommunication between the videophones in the same apartment or intercommunication between videophones in different apartments.

The door station is available **surface** or **flush** mounting with a back lit name plate, with a choice of 4 different videophone options from the **6286**, **6388**, **6488** and **6788** series range.

TECHNICAL INFO:



VIDEX 4000 SERIES 2 WIRE SURFACE MOUNT VIDEO INTERCOM		
Dimensions in: mm	ESVKC-1S	ESVKC-2S
POWER SUPPLY UNIT - 2321		
INPUT	230VAC	
OUTPUT	32VDC	
KEYPAD PSU CONVERTER 2322	BUS LINE / 12VDC / 100MA	
OUTDOOR STATION - SPEAKER & CODELOCK UNIT		
CAMERA	COLOUR CAMERA WITH WHITE LIGHT ILLUMINATION LEDs	
SPEECH UNIT RELAY	BUILT-IN LOCK RELAY DRY CONTACTS C, NC, NO OR CAPACITOR DISCHARGE	
LEDs	4: BUSY, RING, SPEAK, DOOR OPEN	
KEYPAD RELAYS	2	
CALL BUTTONS	1	2
CODES	3	
DIMENSIONAL & GENERAL DATA		
PROTECTION LEVEL	FOR EXTERNAL USE	
WORKING TEMP (°C MIN/MAX)	-10 - +50	
MOUNTING	SURFACE	

FLUSH MOUNT OPTION ALSO AVAILABLE

Speak with our sales team for more information on 0113 201 6677 or email Info@rollingcenter.co.uk

WE HAVE A FULL RANGE OF INTERCOMS AVAILABLE AT COMPETITIVE PRICES

If you don't see what you're looking for call us on 0113 201 6677 or email Info@rollingcenter.co.uk



CDVI CDV4791S-DX SURFACE MOUNT 2 WIRE VIDEO INTERCOM

The **2EASY Series** from CDVI offer advanced communication directly to your mobile device thanks to its WiFi connection with no monthly or annual subscription cost.

Thanks to its 2-wire non polarised connection, installation and maintenance is simple and straightforward.

The **CDV-47DX** now includes WiFi connection and a new mobile app, allowing users to control access from their mobile phone by receiving calls or remotely releasing multiple locks. (max 2 locks when used with optional CDV-RLC).

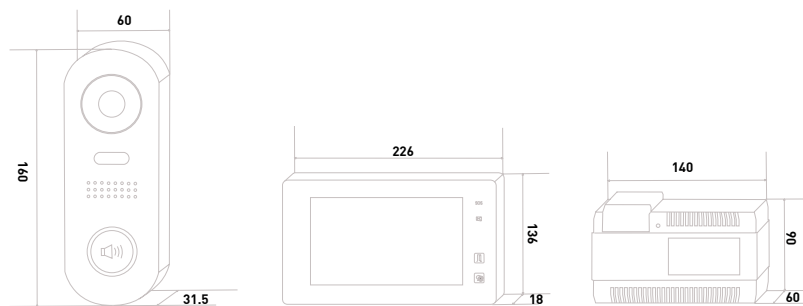


SURFACE MOUNT 2 WIRE VIDEO INTERCOM - 1 Button

CDV4791S-DX-W	2EASY - 1 button - 2 wire - video intercom - WiFi connectivity - 7" white monitor
CDV4791S-DX-B	2EASY - 1 button - 2 wire - video intercom - WiFi connectivity - 7" black monitor
SPARES & ACCESSORIES	
CDV-47DX-W	WiFi connectivity - 7" white monitor
CDV-47DX-B	WiFi connectivity - 7" black monitor
CDV-PC6	Power / bus combiner
CDV-91S	Outdoor station - 1 button

TECHNICAL INFO:

GET THE APP



NEED ASSISTANCE WITH CHOOSING THE RIGHT KIT?
Call us on **0113 201 6677** our friendly team are here to help.

Dimensions in: mm		CDVI CDV91S - CDV-47DX SPECIFICATION
CDV91S SPEC		
INPUT		230VAC
OUTPUT		24VDC
CURRENT		14MA STANDBY - 122MA OPERATIONAL
CAMERA		COLOUR CMOS 2.0MEGA PIXEL - 1/2.7" FISHEYE CAMERA - 170° WIDE ANGLE
LOCK POWER SUPPLY		12VDC 2500MA INTERNAL POWER (STRIKE LOCKS)
WORKING TEMP (°C MIN/MAX)		-15 - +55
CDV-47DX SPEC		
MONITOR SCREEN		7 INCH DIGITAL COLOUR TFT



SURFACE MOUNT 2 WIRE VIDEO INTERCOM - 1 Button with keypad

CDV4796KP-DX-W	2EASY - 1 button with keypad - 2 wire - video intercom - WiFi connectivity - 7" white monitor
CDV4796KP-DX-B	2EASY - 1 button with keypad - 2 wire - video intercom - WiFi connectivity - 7" black monitor

SPARES & ACCESSORIES

CDV-47DX-W	WiFi connectivity - 7" white monitor
CDV-47DX-B	WiFi connectivity - 7" black monitor
CDV-PC6	Power / bus combiner
CDV-96KP	Outdoor station - 1 button and keypad

CDVI CDV4796KP-DX SURFACE MOUNT 2 WIRE VIDEO INTERCOM WITH KEYPAD

The **2EASY Series** from CDVI offer you advanced communication directly to your mobile device thanks to its WiFi connection with no monthly or annual subscription cost.

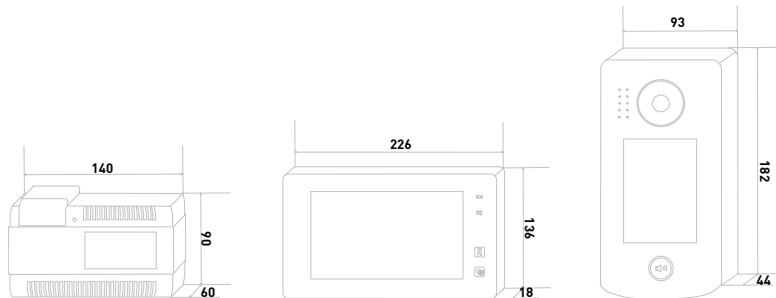
Thanks to its 2-wire non polarised connection, installation and maintenance is simple and straightforward.

The **CDV-47DX** now includes WiFi connection and a new mobile app, allowing users to control access from their mobile phone by receiving calls or remotely releasing multiple locks.

GET THE APP



TECHNICAL INFO:



CDVI CDV96KP - CDV-47DX SPECIFICATION	
CDV96KP SPEC	
INPUT	230VAC
OUTPUT	24VDC
CURRENT	14MA STANDBY - 122MA OPERATIONAL
CAMERA	COLOUR CMOS 2.0MEGA PIXEL - 1/2.7" FISHEYE CAMERA - 170° WIDE ANGLE
LOCK POWER SUPPLY	12VDC 2500MA INTERNAL POWER (STRIKE LOCK)
WORKING TEMP (°C MIN/MAX)	-15 - +55
CDV-47DX SPEC	
MONITOR SCREEN	7 INCH DIGITAL COLOUR TFT

**CABLES &
CONDUIT
AVAILABLE**

See page **106** for details



HIK-VISION 2WIRE-HD VIDEO INTERCOM RANGE

2-wire HD video intercom range is an ideal solution for retrofitting by simply reusing the existing wiring. No additional infrastructure investment is needed, and installation is simple and cost effective.



HIK-VISION HIK-2WIREHDKIT/B

- 1 x **DS-KAW150-4N** Hikvision 230V 48V power adaptor
- 1 x **DS-KAD7060EY** Hikvision 2 wire HD Distributor RJ45 Interface Din rail mount
- 1 x **DS-KD7003EY-IME2/A** Hikvision 2 wire HD door camera station module
- 1 x **DS-KD-ACW1** 1 Module surface mount bracket
- 1 x **DS-KH7300EY-WTE2** Hikvision 2 wire HD indoor 7 inch monitor with WIFI



HIK-VISION HIK-2WIREHDKIT/S

- 1 x **DS-KAW150-4N** Hikvision 230V 48V power adaptor
- 1 x **DS-KAD7060EY** Hikvision 2 wire HD Distributor RJ45 Interface Din rail mount
- 1 x **DS-KD7003EY-IME2** Hikvision 2 wire HD door camera station module stainless steel
- 1 x **DS-KD-ACW1/S** 1 Module surface mount bracket stainless steel
- 1 x **DS-KH7300EY-WTE2** Hikvision 2 wire HD indoor 7 inch monitor with WIFI

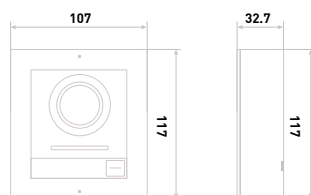


2WIRE-HD RANGE WITH 7 INCH IP MONITOR - 1 Button

HIK-2WIREHDKIT/B	Hikvision Surface mount 1 button 2wire-HD kit - 7 Inch monitor - Standard
HIK-2WIREHDKIT/S	Hikvision Surface mount 1 button 2wire-HD kit - 7 Inch monitor - Stainless steel
SPARES & ACCESSORIES	
DS-KH7300EY-WTE2	2 wire HD indoor 7 inch monitor with WIFI
DS-KABD8003-RS1	Rain shield for 1 module
DS-KABD8003-RS1/S	Rain shield for 1 module stainless steel
DS-KD-ACF1	1 module flush mount bracket
DS-KD-ACF1/S	1 module flush mount bracket stainless steel
DS-KABH6320-T	Desk mount bracket for 7 inch monitor

TECHNICAL INFO:

GET THE APP



Dimensions in: mm		HIK 2WIRE-HD VIDEO & 7 INCH MONITOR
VIDEO MODULE		HIK-2WIREHDKIT
POWER SUPPLY		48VDC, 15W MAX
RESOLUTION & COMPRESSION		2MP HD / H.264
AUDIO INPUT & OUTPUT		1 BUILT-IN OMNIDIRECTIONAL MICROPHONE / 1 BUILT-IN LOUDSPEAKER
USER		2000 USERS
ALARM INPUT		2 (1 EXIT BUTTONS AND/OR 1 DOOR CONTACTS)
LOCK CONTROL		2 RELAYS
PROTECTION LEVEL		IP65
OPERATING TEMP (°C MIN/MAX)		-40 - +60
7" MONITOR		
POWER SUPPLY		48VDC, 15W MAX
PROTECTION LEVEL		INDOOR
SCREENSIZE & RESOLUTION		7" / 1024 X 600PX COLOUR
OPERATING SYSTEM		LINUX
OPERATING TEMP (°C MIN/MAX)		-10 - +55



NEW

Answer calls & open the gate using the indoor 7 inch touch screen and remotely via the hikconnect mobile app or via PC

Featuring a **2MP** HD Camera, with IR supplement light for night visibility

Programme directly on the 7 inch LCD monitor.



2WIRE-HD RANGE WITH KEYPAD 7 INCH IP MONITOR - 1 Button

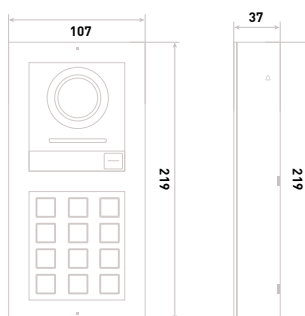
HIK-2WIREHDKIT-KP/B	Hikvision Surface mount 1 button 2wire-HD kit with keypad - 7 Inch monitor - Standard
HIK-2WIREHDKIT-KP/S	Hikvision Surface mount 1 button 2wire-HD kit with keypad - 7 Inch monitor - Stainless steel

SPARES & ACCESSORIES

DS-KH7300EY-WTE2	2 wire HD indoor 7 inch monitor with WIFI
DS-KABD8003-RS2	Rain shield for 2 modules
DS-KABD8003-RS2/S	Rain shield for 2 modules stainless steel
DS-KD-ACF2	2 module flush mount bracket
DS-KD-ACF2/S	2 module flush mount bracket stainless steel
DS KABH6320-T	Desk mount bracket for 7 inch monitor

GET THE APP  

TECHNICAL INFO:



Dimensions in: mm		HIK 2WIRE-HD VIDEO WITH KEYPAD & 7 INCH MONITOR
VIDEO MODULE		HIK-2WIREHDKIT-KP
POWER SUPPLY		48VDC, 15W MAX
RESOLUTION & COMPRESSION		2MP HD / H.264
AUDIO INPUT & OUTPUT		1 BUILT-IN OMNIDIRECTIONAL MICROPHONE / 1 BUILT-IN LOUDSPEAKER
USER		2000 USERS
ALARM INPUT		2 (1 EXIT BUTTONS AND/OR 1 DOOR CONTACTS)
LOCK CONTROL		2 RELAYS
PROTECTION LEVEL		IP65
OPERATING TEMP (°C MIN/MAX)		-40 - +60
KEYPAD		
POWER CONSUMPTION		1W
PROTECTION LEVEL		IP65
OPERATING TEMP (°C MIN/MAX)		-40 - +55
HUMIDITY TEMP (°C MIN/MAX)		-10 - +95
7" MONITOR		
POWER SUPPLY		48VDC, 15W MAX
PROTECTION LEVEL		INDOOR
SCREENSIZE & RESOLUTION		7" / 1024 X 600PX COLOUR
OPERATING SYSTEM		LINUX
OPERATING TEMP (°C MIN/MAX)		-10 - +55

**HIK-VISION
HIK-IPKIT-KP-MON10/B**

- 1 x **DS-KAW150-4N** Hikvision 150W 48V power adaptor
- 1 x **DS-KAD7060EY** Hikvision 2 wire HD Distributor RJ45 Interface Din rail mount
- 1 x **DS-KD-KP** Keypad module
- 1 x **DS-KD7003EY-IME2/A** Hikvision 2 wire HD door camera station module
- 1 x **DS-KD-ACW2** 2 Module surface mount bracket
- 1 x **DS-KH7300EY-WTE2** Hikvision 2 wire HD indoor 7 inch monitor with WIFI



**HIK-VISION
HIK-IPKIT-KP-MON10/S**

- 1 x **DS-KAW150-4N** Hikvision 150W 48V power adaptor
- 1 x **DS-KAD7060EY** Hikvision 2 wire HD Distributor RJ45 Interface Din rail mount
- 1 x **DS-KD-KP/S** Keypad module stainless steel
- 1 x **DS-KD7003EY-IME2** Hikvision 2 wire HD door camera station module
- 1 x **DS-KD-ACW2/S** 2 Module surface mount bracket stainless steel
- 1 x **DS-KH7300EY-WTE2** Hikvision 2 wire HD indoor 7 inch monitor with WIFI



VIDEX 4000 SERIES SURFACE MOUNT GSM INTERCOM

The new 4000 series 4G GSM PRO audiokits with proximity comprise all the original features of the previous GSM PRO series kits and now include new programming features such as: programming a primary number and 3 divert numbers in a single text, programming multiple dial to open numbers (up to 5 max) in a single text, 10 access control timebands, 10 free access timebands and access level assignment (up to 10).

Programming can be carried out by SMS text messaging or via a PC using the GSM SK software (connected via the micro USB port) or by using Videx's new smartphone SMS wizard App. The App is available to download for free from Google Play (for android devices) or from the App. Store (for iOS devices).

The door station is available surface or flush mounting with up to 12 call buttons each with a back lit name plate.



SURFACE MOUNT GSM INTERCOM - 1 - 2 Button - matt & gun metal grey finish

GSM4K-1S/M/4G	4G GSM intercom - 1 button - proximity reader - matt finish
GSM4K-2S/M/4G	4G GSM intercom - 2 button - proximity reader - matt finish
GSM4K-1S/BL/4G	4G GSM intercom - 1 button - proximity reader - gun metal grey finish
GSM4K-2S/BL/4G	4G GSM intercom - 2 button - proximity reader - gun metal grey finish
SPARES & ACCESSORIES	
4881	1 Module 4000 series back-box - gun metal grey
4810-1/M/4G	4000 series 4G GSM 1 button & speaker module - with proximity reader - matt finish
4810-2/M/4G	4000 series 4G GSM 2 button & speaker module - with proximity reader - matt finish
4810-1/BL/4G	4000 series 4G GSM 1 button & speaker module - with proximity reader - gun metal grey finish
4810-2/BL/4G	4000 series 4G GSM 2 button & speaker module - with proximity reader - gun metal grey finish
HDR 15-12	Switched mode 12V DC 1.25Ah power supply
434	GSM antenna with magnetic base L bracket - 2G, 3G & 4G
955/T	EM4002 format proximity tag 125khz
GSM SK	GSM programming software

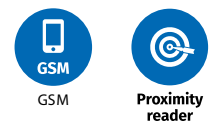
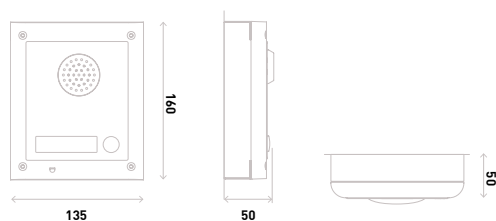
FLUSH MOUNT OPTION ALSO AVAILABLE

Speak with our sales team for more information on 0113 201 6677 or email Info@rollingcenter.co.uk



TECHNICAL INFO:

GET THE APP



VIDEX 4000 SERIES SURFACE MOUNT GSM INTERCOM	
POWER SUPPLY UNIT - HDR 15-12	
GSM4K-1S	
GSM4K-2S	
INPUT	230VAC
OUTPUT	12VDC
OUTDOOR STATION - SPEAKER / PROXIMITY UNIT	
SPEACH UNIT RELAY	BUILT-IN LOCK RELAY DRY CONTACTS C, NC, NO OR CAPACITOR DISCHARGE
LEDs	4: BUSY, RING, SPEAK, DOOR OPEN
CALL BUTTONS	1 2
PROXIMITY	PROXIMITY READER 125KHZ UP TO 1000 TAGS
DIMENSIONAL & GENERAL DATA	
PROTECTION LEVEL	FOR EXTERNAL USE
WORKING TEMP (°C MIN/MAX)	-10 - +50
MOUNTING	SURFACE



SURFACE MOUNT GSM INTERCOM - 1 - 2 Button with keypad - matt & gun metal grey finish

GSM4KCR-1S/M/4G	4G GSM intercom - 1 button with keypad - proximity reader - matt finish
GSM4KCR-2S/M/4G	4G GSM intercom - 2 button with keypad - proximity reader - matt finish
GSM4KCR-1S/BL/4G	4G GSM intercom - 1 button with keypad - proximity reader - gun metal grey finish
GSM4KCR-2S/BL/4G	4G GSM intercom - 2 button with keypad - proximity reader - gun metal grey finish

SPARES & ACCESSORIES

4882	2 Module 4000 series back-box - gun metal grey
4810-1/M/4G	4000 series 4G GSM 1 button & speaker module - with proximity reader - matt finish
4810-2/M/4G	4000 series 4G GSM 2 button & speaker module - with proximity reader - matt finish
4810-1/BL/4G	4000 series 4G GSM 1 button & speaker module - with proximity reader - gun metal grey finish
4810-2/BL/4G	4000 series 4G GSM 2 button & speaker module - with proximity reader - gun metal grey finish
4903/M	4000 series GSM keypad module - backlit buttons - matt finish
4903/BL	4000 series GSM keypad module - backlit buttons - gun metal grey finish
HDR 15-12	Switched mode 12V DC 1.25Ah power supply
434	GSM antenna with magnetic base L bracket - 2G, 3G & 4G
955/T	EM4002 formate proximity tag 125khz
GSM SK	GSM programming software

VIDEX 4000 SERIES SURFACE MOUNT GSM INTERCOM WITH KEYPAD

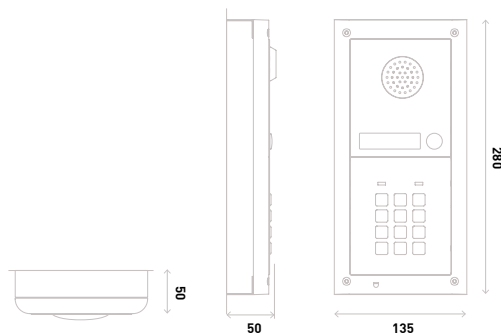
The new **4000** series **4G GSM PRO** audiokits with codelock and **proximity** comprise all the original features of the previous **GSM PRO** series kits and now include new programming features such as: programming a primary number and 3 divert numbers in a single text, programming multiple dial to open numbers (up to 5 max) in a single text, 10 access control timebands, 10 free access timebands and access level assignment (up to 10).

Programming can be carried out by SMS text messaging or via a PC using the **GSM SK** software (connected via the micro USB port) or by using Videx's new smartphone SMS wizard App. The App is available to download for free from Google Play (for android devices) or from the App. Store (for iOS devices).

The door station is available **surface** or **flush** mounting with up to **12 call buttons** each with a back lit name plate.

GET THE APP

TECHNICAL INFO:



VIDEX 4000 SERIES SURFACE MOUNT GSM INTERCOM	
POWER SUPPLY UNIT - HDR 15-12	GSM4KCR-1S
INPUT	230VAC
OUTPUT	12VDC
OUTDOOR STATION - SPEAKER & CODELOCK UNIT	
SPEECH UNIT RELAY	BUILT-IN LOCK RELAY DRY CONTACTS C, NC, NO OR CAPACITOR DISCHARGE
LEDs	4: BUSY, RING, SPEAK, DOOR OPEN
KEYPAD RELAYS	2
CALL BUTTONS	1 2
CODES	400, 32 TEMPORARY
PROXIMITY	PROXIMITY READER 125KHZ UP TO 1000 TAGS
DIMENSIONAL & GENERAL DATA	
PROTECTION LEVEL	FOR EXTERNAL USE
WORKING TEMP (°C MIN/MAX)	-10 ÷ +50
MOUNTING	SURFACE

FLUSH MOUNT OPTION ALSO AVAILABLE

Speak with our sales team for more information on 0113 201 6677 or email Info@rollingcenter.co.uk

ROLLING CENTER WHATSAPP TECHNICAL?





VIDEX 4000 SERIES SURFACE MOUNT DIGITAL GSM INTERCOM WITH KEYPAD

With GSM comes freedom. Answer calls from your door or gate from any telephone number including your mobile so you never have to miss that important caller.

With four variants: **4812**, **4812R** and **vandal resistant VR4812** and **VR4812R** versions available the digital GSM intercom is available for small or large scale applications with the ability to call up to 500 apartments all with the facility to divert to additional numbers if the first is busy or unanswered.

Other features include integrated proximity access control (for up to 2000 users) and call progress announcement both verbally and shown via the graphical display. New programming features include: programming a primary number and 3 divert numbers in a single text and 10 free access timebands.



SURFACE MOUNT DIGITAL GSM INTERCOM - with scroll function or keys A-F with keypad

4812R/M/4G	Panel only - digital 4G GSM - scroll function
4812/M/4G	Panel only - digital 4G GSM - A - F keys
SPARES & ACCESSORIES (REQUIRED TO COMPLETE A KIT)	
4882	2 module 4000 series surface mount back-box - gun metal grey
HDR 15-12	Switched mode 12V DC 1.25Ah power supply
434	GSM antenna with magnetic base L bracket - 2G, 3G & 4G
955/T	EM4002 formate proximity tag 125khz
GSM SK	GSM programming software

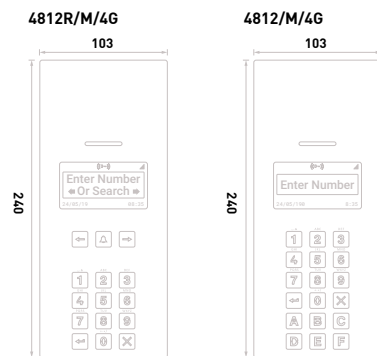
TECHNICAL INFO:

GET THE APP

FLUSH MOUNT OPTION ALSO AVAILABLE

Speak with our sales team for more information on 0113 201 6677 or email Info@rollingcenter.co.uk

SCAN FOR WHATSAPP SALES



Dimensions in: mm		VIDEX 4000 SERIES SURFACE MOUNT DIGITAL GSM INTERCOM
ELECTRICAL DATA		4812 & 4812R
INPUT		230VAC
OUTPUT		12VDC
RELAYS		1X RELAY (C, NO, NC) 31 @24VDC - 3A @120VAC AUXILIARY 1 (AO OPEN COLLECTOR OUTPUT) SWITCHED 0V - 150MA MAX PUSH TO EXIT - SWITCHED 0V
RTE INPUT		
OUTDOOR STATION - SPEAKER / PROXIMITY UNIT		
DISPLAY		DIGITAL
USERS		UP TO 500 (MAX)
PROXIMITY		PROXIMITY READER 125KHZ UP TO 500 TAGS
DIAL TO OPEN		2000 USERS
DIMENSIONAL & GENERAL DATA		
PROTECTION LEVEL		FOR EXTERNAL USE
WORKING TEMP (°C MIN/MAX)		-10 - +50
MOUNTING		SURFACE



SURFACE MOUNT GSM LITE INTERCOM - 1 Button with keypad

LITE-GSM-KP 4G Lite GSM intercom - 1 button with keypad - black imperial finish - with antenna & keypad

SPARES & ACCESSORIES

LITE-PCB/4GE 4G European lite PCB

PRIME-RPK Replacement keypad for Lite GSM

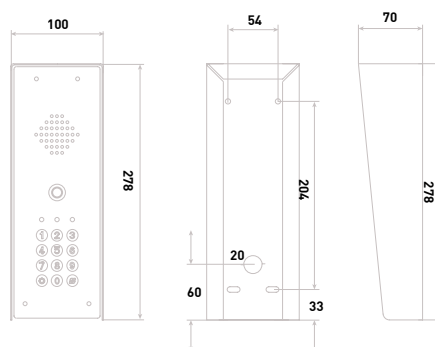
AES LITE GSM SURFACE MOUNT GSM INTERCOM WITH KEYPAD

Simple, Effective GSM Intercom

- Calls your home phone and mobiles on roll-over when visitor presses call button.
- Never miss a visitor with mobile calling.
- Works with any standard contract or Pre-Pay GSM Nano SIM card.
- Comes with optional 12 month contract SIM, unlimited calls and texts.
- NEW free AES Lite app for installer programming.
- Homeowner can use app to trigger gates.

GET THE APP

TECHNICAL INFO:



AES LITE GSM INTERCOM WITH KEYPAD	
LITE-IBK-EU	
ELECTRICAL DATA	
INPUT	230VDC
OUTPUT	24V AC/DC (24VDC 2A ADAPTOR INCLUDED)
CURRENT	100MA DIAL OUT - 220MA MAX
CONSTRUCTION	MARINE STAINLESS & POWDER COATED ALUMINIUM
RELAYS / KEYPAD RELAYS	1X VOLT FREE RELAY (C, NO, NC) 2A @24VAC MAX
DIMENSIONAL & GENERAL DATA	
PROTECTION LEVEL	IP55
RANGE	GSM NETWORK
MOUNTING	SURFACE

WE STOCK THE FULL RANGE OF GATE AUTOMATION

See page 7 for details



COMELIT GSM SURFACE MOUNT GSM INTERCOM WITH KEYPAD

Comelit 4G **GSM1-K** Intercom is designed to work with gates, barriers and door entry. Suitable for residential properties or small office. The intercom has 1-4 call buttons and a built in keypad.

Utilizing **2G, 3G & 4G** networks where available calls are received on standard telephones or mobile phones.

Install a SIM card from any network in the panel, then using the easy to use APP. When the call button is pressed the recipient can talk to the visitor and let them in by pressing a number key.

Avoid missing callers, the additional numbers can be programmed to forward the call on to other devices / phone numbers – never miss an important delivery again.

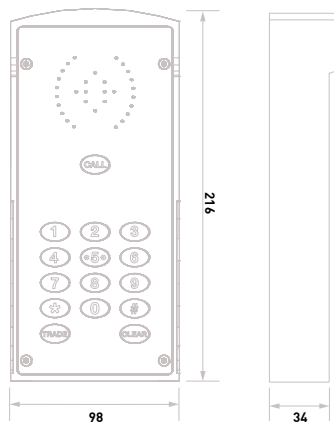


SURFACE MOUNT GSM INTERCOM - with keypad

GSM1-K	4G GSM intercom - 1 button with keypad
GSM2-K	4G GSM intercom - 2 button with keypad
GSM3-K	4G GSM intercom - 3 button with keypad
GSM4-K	4G GSM intercom - 4 button with keypad
SPARES & ACCESSORIES (REQUIRED TO COMPLETE A KIT)	
GSM-ANT-5DB	2m GSM antenna

TECHNICAL INFO:

GET THE APP



CAN'T SEE WHAT YOU'RE LOOKING FOR?

Our friendly team are here to help.
Call us on **0113 201 6677** or email **Info@rollingcenter.co.uk**

Dimensions in: mm		COMELIT SURFACE MOUNT GSM INTERCOM WITH KEYPAD
ELECTRICAL DATA		GSM-K
INPUT		230VAC
OUTPUT		12VDC
CURRENT		1.5A MAX
OUTDOOR STATION - SPEAKER & CODELOCK UNIT		
RELAYS		3X VOLT FREE RELAY CONTACTS - 1@2A - 2@200MA
CALLER ID'S		300
CALL BUTTONS		1, 2, 3 or 4
CODES		3 DEFAULT 4 DIGIT PIN CODES
DIMENSIONAL & GENERAL DATA		
PROTECTION LEVEL		IP54
MOUNTING		SURFACE



A large area of the page is filled with horizontal dashed lines, providing a template for handwritten notes.



AES PRIME7 SURFACE MOUNT GSM INTERCOM

AES PRIME7 (without keypad) audio GSM intercom for unlimited range access control. The unit makes calls from a SIM card just like a mobile phone when the call button is pressed. It calls the numbers programmed into it, allowing the user to speak to whoever is at their door or gate regardless of whether they're at home or on the other side of the world. You are then able to remotely let that person in via the phone keypad.

High quality and stylish curved architectural model with a brushed stainless steel construction and gloss acrylic trim. The housing also features an illuminated push button and modern blue back lighting effect.

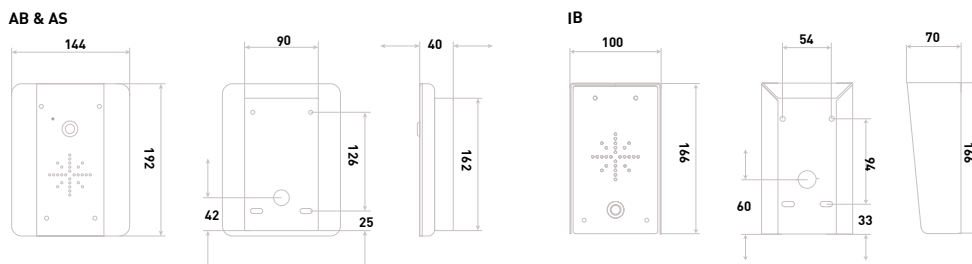


SURFACE MOUNT GSM INTERCOM - 1 Button

PRIME7-AB-4GE-EU	Black - GSM - curved architectural model - blue back lighting effect - with antenna
PRIME7-AS-4GE-EU	Silver - GSM - curved architectural model - blue back lighting effect - with antenna
PRIME7-IB-4GE-EU	Black - GSM - imperial model - blue back lighting effect - with antenna
SPARES & ACCESSORIES	
PRIME7AB-PCB/4GE	PRIME7 4G PCB for EU

TECHNICAL INFO:

GET THE APP



FLUSH MOUNT OPTION ALSO AVAILABLE

Speak with our sales team for more information on **0113 201 6677** or email **Info@rollingcenter.co.uk**

CLICK & COLLECT START SAVING TODAY

- REGISTER ONLINE
- PLACE AN ORDER
- COLLECT

Visit www.rollingcenter.co.uk

AES PRIME7 GSM INTERCOM	
PRIME7-AB / AS / IB	
ELECTRICAL DATA	
INPUT	230VAC
OUTPUT	24V AC/DC (24VDC 2A ADAPTOR INCLUDED)
CURRENT	300MA ON DIAL OUT, 2A PEAK DEMAND
RELAY LOAD	2A 24V AC MAX
RELAY TYPE	N/C & N/O
RELAYS	2
DIAL OUT NUMBERS	4
PERMANENT CODES/CARDS	250
CALLER ID NUMBERS	250
DIMENSIONAL & GENERAL DATA	
PROTECTION LEVEL (IP)	SPEECH UNIT IP55
MOUNTING	SURFACE



SURFACE MOUNT GSM INTERCOM - 1 Button with keypad

PRIME7-ABK-4GE-EU	Black - GSM - curved architectural model - blue back lighting effect - with antenna
PRIME7-ASK-4GE-EU	Silver - GSM - curved architectural model - blue back lighting effect - with antenna
PRIME7-IBK-4GE-EU	Black - GSM - imperial model - blue back lighting effect - with antenna
SPARES & ACCESSORIES	
PRIME7AB-PCB/4GE	PRIME7 4G PCB for EU
PRIME-KP-B-KIT	PRIME replacement keypad - blue
PRIME-KP-W-KIT	PRIME replacement keypad - white

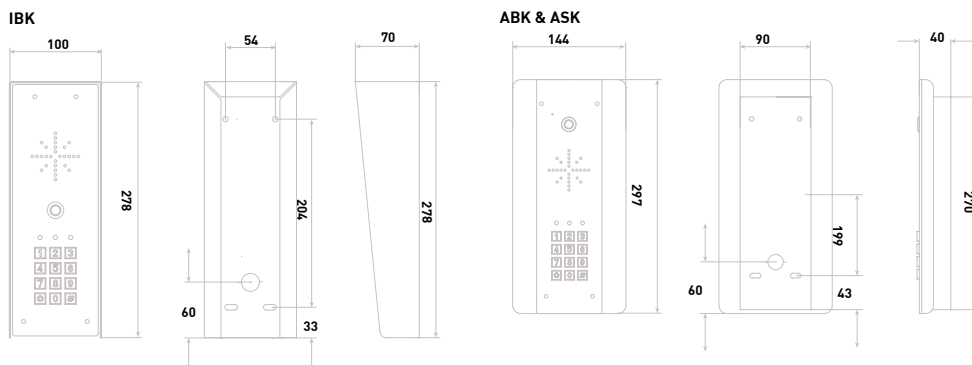
AES PRIME7 SURFACE MOUNT GSM INTERCOM WITH KEYPAD

AES PRIME7 (with keypad) audio GSM intercom for unlimited range access control. The unit makes calls from a SIM card just like a mobile phone when the call button is pressed. It calls the numbers programmed into it, allowing the user to speak to whoever is at their door or gate regardless of whether they're at home or on the other side of the world. You are then able to remotely let that person in via the phone keypad.

High quality and stylish curved architectural model with a brushed stainless steel construction and gloss acrylic trim. The housing also features an illuminated push button and modern blue back lighting effect.

GET THE APP

TECHNICAL INFO:



AES PRIME7 GSM INTERCOM WITH KEYPAD	
PRIME7-ABK / ASK / IBK	
ELECTRICAL DATA	
INPUT	230VAC
OUTPUT	24V AC/DC (24VDC 2A ADAPTOR INCLUDED)
CURRENT	300MA ON DIAL OUT, 2A PEAK DEMAND
RELAY LOAD	2A 24V AC MAX
RELAY TYPE	N/C & N/O
RELAYS	2
DIAL OUT NUMBERS	4
PERMANENT CODES/CARDS	250
CALLER ID NUMBERS	250
DIMENSIONAL & GENERAL DATA	
PROTECTION LEVEL (IP)	SPEECH UNIT IP55
MOUNTING	SURFACE

FLUSH MOUNT OPTION ALSO AVAILABLE

Speak with our sales team for more information on 0113 201 6677 or email Info@rollingcenter.co.uk

NEED ACCESS CONTROL SOLUTIONS?

See page 83 for details



INTRATONE SC-01 SURFACE MOUNT GSM VIDEO INTERCOM WITH KEYPAD

Kit Includes:

- 1 x SC-01 35-0003-EU 1 way GSM Video door central unit + 4g transmission module
- 1 x 06-0129 - GSM Data Module & 15 year pre paid Data SIM
- 1 x 12-0134 Surface fit back box

Stainless steel 1 way video GSM panel surface mounted, with Gsm module and **15-year unlimited data/call SIM**. Allows colour video and audio calls to be made to any Android or iOS from the entry panel.

Built in keypad and proximity reader included.

No handsets are required and with an intuitive scrolling system, tenants can easily control property access from their own mobile device.

No need for ongoing SIM costs paid monthly or as you go!

PSU Not Included.

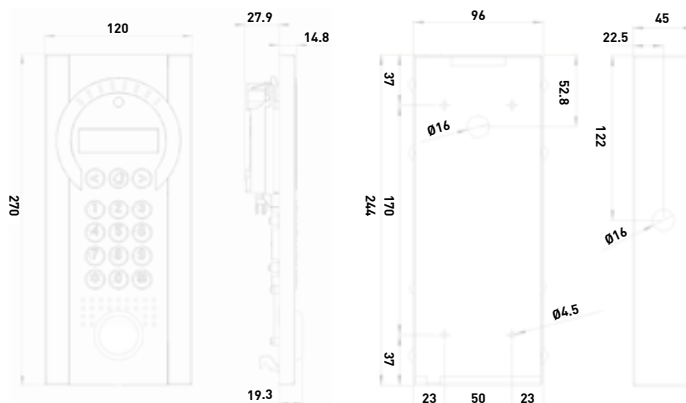


VIDEO GSM INTERCOM WITH 15 YEAR UNLIMITED DATA SIM - 1 Button with keypad

SC-01SURFACE	1 way Video GSM intercom with keypad and 15 year Unlimited data SIM
SPARES & ACCESSORIES	
12V-5A-PSU	12v power supply 5 amp encapsulated PSU
08-0101-EN	Mifare Proximity tag in black

TECHNICAL INFO:

WEB PORTAL MANAGED



NEED ASSISTANCE? CONTACT OUR TECHNICAL TEAM?

Call us on 0113 201 6677 or email Info@rollingcenter.co.uk

INTRATONE GSM VIDEO INTERCOM	
SC-01 GSM VIDEO	
ELECTRICAL DATA	
INPUT	12VDC
CURRENT	24V - 2A / 24V - 5A MAX
KEYFOB CAPACITY	10,000
DIMENSIONAL & GENERAL DATA	
PROTECTION LEVEL (IP)	IP55
MOUNTING	SURFACE
WEIGHT	1.9KG
WORKING TEMP (°C MIN/MAX)	-20 - +70
DIMENSIONS (INTERCOM)	270 X 120 X 15MM



MULTIPLE USER VIDEO GSM & GSM MODULE KIT - Up to 10 Buttons with keypad

SC-02SURFACE-2	2 way Video GSM intercom with keypad and 15 year Unlimited data SIM
SC-02SURFACE-3	3 way Video GSM intercom with keypad and 15 year Unlimited data SIM
SC-02SURFACE-4	4 way Video GSM intercom with keypad and 15 year Unlimited data SIM
SPARES & ACCESSORIES	
12V-5A-PSU	12v power supply 5 amp encapsulated PSU
08-0101-EN	Mifare Proximity tag in black



INTRATONE SC-02 SURFACE MOUNT GSM VIDEO INTERCOM WITH KEYPAD

Kit Includes:

- 1 x SC-02 35-0001-EU GSM Video door central unit + 4g transmission module
- 1 x 25-0018 - GSM Data Module & 15 year pre paid Data SIM (dependent on how many users)
- 1 x 12-0160 Surface fit back box

Stainless steel 1 way video GSM panel surface mounted, with Gsm module and **15-year unlimited data/call SIM**. Allows colour video and audio calls to be made to any Android or iOS from the entry panel.

Built in keypad and proximity reader included.

No handsets are required and with an intuitive scrolling system, tenants can easily control property access from their own mobile device.

No need for ongoing SIM costs paid monthly or as you go!

PSU Not Included.

WEB PORTAL MANAGED

TECHNICAL INFO:

POOR QUALITY DRAWING JPG FORMAT - TOO COMPLEX TO RECREATE, CANNOT BE USED

FLUSH MOUNT OPTION ALSO AVAILABLE

Speak with our sales team for more information on 0113 201 6677 or email Info@rollingcenter.co.uk

REGISTER FOR A TRADE ACCOUNT TODAY TO RECEIVE TRADE DISCOUNTS

Call us on 0113 201 6677 our friendly team are here to help.

INTRATONE GSM VIDEO INTERCOM	
ELECTRICAL DATA	
INPUT	12VDC
CURRENT	12V - 2A / 24V 5A MAX
DIMENSIONAL & GENERAL DATA	
PROTECTION LEVEL (IP)	IP55
MOUNTING	SURFACE
WEIGHT	1.9KG
WORKING TEMP (°C MIN/MAX)	-20 - +70
DIMENSIONS (INTERCOM)	150 X 300 X 2.5MM
DIMENSIONS (GSM MODULE)	162 X 96 X 53MM
DIMENSIONS (BACK BOX)	300.55 X 155.5 X 67MM



AES PRAETORIAN SURFACE MOUNT GSM VIDEO INTERCOM

The **PRAE-4G** (without keypad) panel is available in 3 styles: Black curved architectural model, stainless steel curved architectural model and the Black shrouded imperial model (Kit includes speech panel, 4G modem, power supply and install manual).

The intercom comes complete with 4G access point. The access point will provide an internet connection via a compatible SIM card. Speak to your visitors from anywhere in the world via your mobile phone.

The **MON11** monitor can also work along side the Praetorian Guard as an extra screen for your home. It can be wall or desk mounted and comes with pre-loaded Praetorian app.

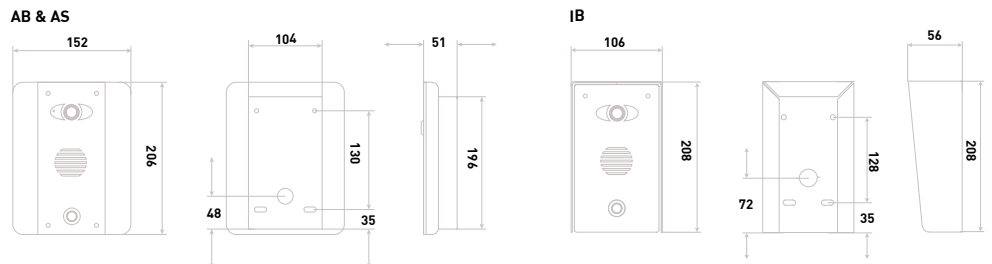


SURFACE MOUNT GSM VIDEO INTERCOM - 1 Button

PRAE-4G-AB-EU	Black - video GSM - curved architectural model - blue back lighting effect - with 4G modem
PRAE-4G-AS-EU	Silver - video GSM - curved architectural model - blue back lighting effect - with 4G modem
PRAE-4G-IB-EU	Black - video GSM - imperial model - blue back lighting effect - with 4G modem
SPARES & ACCESSORIES	
MON-11	10.1" wall/desk mount touch screen monitor - preloaded with Praetorian app
PRIME7AB-PCB/4GE	PRIME7 4G PCB for EU
PRIME-KP-B-KIT	PRIME replacement keypad - blue
PRIME-KP-W-KIT	PRIME replacement keypad - white

TECHNICAL INFO:

GET THE APP



FLUSH MOUNT OPTION ALSO AVAILABLE

Speak with our sales team for more information on **0113 201 6677** or email **Info@rollingcenter.co.uk**

BENINCA SLIDING GATE AUTOMATION

See page **15**

AES PRAETORIAN 4G GSM VIDEO INTERCOM	
ELECTRICAL DATA	
PRAE-4G-AB / IB / AS	
INPUT	230VAC
OUTPUT	24VDC
CURRENT	80MA STANDBY - 300MA MAX
CONSTRUCTION	MARINE STAINLESS & POWDER COATED ALUMINIUM
RELAYS / KEYPAD RELAYS	2X BI-STABLE LATCHING RELAYS 1A @1-28V AC/DC MAX
4G ROUTER	
POWER SUPPLY	24VDC
ANTENNA TYPE	SMA
GSM MODEM MODELS	4G EUROPE - SIM7600E
DIMENSIONAL & GENERAL DATA	
PROTECTION LEVEL	IP55
OPERATING TEMP (°C MIN/MAX)	-25 - +55
MOUNTING	SURFACE



SURFACE MOUNT GSM VIDEO INTERCOM - 1 Button with keypad

PRAE-4G-ABK-EU	Black - video GSM - curved architectural model - blue back lighting effect - with 4G modem
PRAE-4G-ASK-EU	Silver - video GSM - curved architectural model - blue back lighting effect - with 4G modem
PRAE-4G-IBK-EU	Black - video GSM - imperial model - blue back lighting effect - with 4G modem
SPARES & ACCESSORIES	
MON-11	10.1" wall/desk mount touch screen monitor - preloaded with Praetorian app
PRIME7AB-PCB/4GE	PRIME7 4G PCB for EU
PRIME-KP-B-KIT	PRIME replacement keypad - blue
PRIME-KP-W-KIT	PRIME replacement keypad - white

AES PRAETORIAN SURFACE MOUNT GSM VIDEO INTERCOM WITH KEYPAD

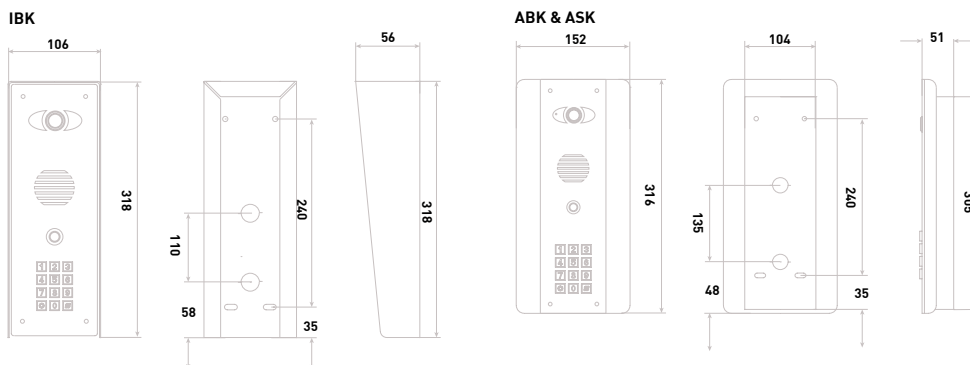
The **PRAE-4G** [with keypad] panel is available in 3 styles: Black curved architectural model, stainless steel curved architectural model and the Black shrouded imperial model (Kit includes speech panel, 4G modem, power supply and install manual).

The intercom comes complete with 4G access point. The access point will provide an internet connection via a compatible SIM card. Speak to your visitors from anywhere in the world via your mobile phone.

The **MON11** monitor can also work along side the Praetorian Guard as an extra screen for your home. It can be wall or desk mounted and comes with pre-loaded Praetorian app.

GET THE APP

TECHNICAL INFO:



AES PRAETORIAN 4G GSM VIDEO INTERCOM WITH KEYPAD	
ELECTRICAL DATA	
INPUT	230VAC
OUTPUT	24VDC
CURRENT	80MA STANDBY - 300MA MAX
CONSTRUCTION	MARINE STAINLESS & POWDER COATED ALUMINIUM
RELAYS / KEYPAD RELAYS	2X BI-STABLE LATCHING RELAYS 1A @1-28V AC/DC MAX
4G ROUTER	
POWER SUPPLY	24VDC
ANTENNA TYPE	SMA
GSM MODEM MODELS	4G EUROPE - SIM7600E
DIMENSIONAL & GENERAL DATA	
PROTECTION LEVEL	IP55
OPERATING TEMP (°C MIN/MAX)	-25 - +55
MOUNTING	SURFACE

FLUSH MOUNT OPTION ALSO AVAILABLE

Speak with our sales team for more information on 0113 201 6677 or email Info@rollingcenter.co.uk

BENINCA DU.IT UNDERGROUND AUTOMATION KITS

Turn to page 26



HIK-VISION IP VIDEO INTERCOM RANGE

IP video module is powered by PoE switch module or 12VDC making it very simple to install, connecting to the indoor tablet using IP protocol over the local network



HIK-VISION HIK-IPKIT-KP-MON10/B

- 1 x 301802037 Hikvision 4 port 100Mbps PoE unmanaged switch
- 1 x DS-KD8003-IME1(B) 1 Button IP Video IP 2 relay module
- 1 x DS-KD-KP Keypad module
- 1 x DS-KD-ACW2 2 module surface mount bracket
- 1 x DS-KH9510-WTE1(B) 10.1 Inch IP touch screen LCD Monitor



HIK-VISION HIK-IPKIT-KP-MON10/S

- 1 x 301802037 Hikvision 4 port 100Mbps PoE unmanaged switch
- 1 x DS-KD8003-IME1(B)/S 1 Button IP Video IP 2 relay module
- 1 x DS-KD-KP/S Keypad module
- 1 x DS-KD-ACW2/S 2 module surface mount bracket
- 1 x DS-KH9510-WTE1(B) 10.1 Inch IP touch screen LCD Monitor

HAYDON RJ45 TESTER



Turn to page !!!



IP RANGE WITH KEYPAD & 10 INCH IP MONITOR - 1 Button

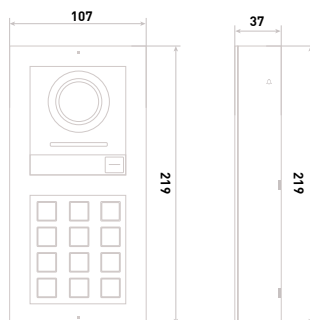
HIK-IPKIT-KP-MON10/B	Hikvision Surface mount 1 button IP Kit with keypad - 10 Inch monitor - Standard
HIK-IPKIT-KP-MON10/S	Hikvision Surface mount 1 button IP Kit with keypad - 10 Inch monitor - Stainless steel

SPARES & ACCESSORIES

DS-KH9510-WTE1(B)	10.1 Inch IP touch screen LCD Monitor
301802037	Hikvision 4 port 100Mbps PoE unmanaged switch
DS-KABD8003-RS2	Rain shield for 2 module
DS-KABD8003-RS2/S	Rain shield for 2 module Stainless Steel
DS-KD-ACF2	2 module flush mount bracket
DS-KD-ACF2/S	2 module flush mount bracket stainless steel

TECHNICAL INFO:

GET THE APP  



Dimensions in: mm		HIK IP VIDEO WITH KEYPAD & 10 INCH MONITOR
VIDEO MODULE		HIK-IPKIT-KP-MON10
POWER SUPPLY		12VDC, 500mA. POE
RESOLUTION & COMPRESSION		2MP HD / H.264
AUDIO INPUT & OUTPUT		1 BUILT-IN OMNIDIRECTIONAL MICROPHONE / 1 BUILT-IN LOUDSPEAKER
USER & CARD CAPACITY		2000 / 6000 USERS
ALARM INPUT		4 (2 EXIT BUTTONS AND 2 DOOR CONTACTS BY DEFAULT)
NETWORK INTERFACE		1 ETHERNET PORT. 10/100MBPS SELF-ADAPTIVE
LOCK CONTROL		2 RELAYS
PROTECTION LEVEL		IP65
OPERATING TEMP (°C MIN/MAX)		-40 - +60
KEYPAD		
POWER CONSUMPTION		1W
PROTECTION LEVEL		IP65
OPERATING TEMP (°C MIN/MAX)		-40 - +55
HUMIDITY TEMP (°C MIN/MAX)		-10 - +95
10" MONITOR		
POWER SUPPLY		12VDC, 500mA. POE
PROTECTION LEVEL		INDOOR
SCREENSIZE & RESOLUTION		10.1" / 1024 X 600PX COLOUR
OPERATING SYSTEM		ANDROID 10.1
OPERATING TEMP (°C MIN/MAX)		-10 - +50



NEW

Answer calls & open the gate using the indoor 7 inch touch screen and remotely via the hikconnect mobile app.

Featuring a **2MP** HD Camera, with IR supplement light for night visibility

Programme directly from the 7 inch LCD monitor



HIK-VISION HIK-IPKIT-KP-MON7/B

- 1 x **301802037** Hikvision 4 port 100Mbps PoE unmanaged switch
- 1 x **DS-KD8003-IME1(B)** 1 Button IP Video IP 2 relay module
- 1 x **DS-KD-KP** Keypad module
- 1 x **DS-KD-ACW2** 2 module surface mount bracket
- 1 x **DS-KH6320-WTE1** 7 Inch IP touch screen LCD Monitor



HIK-VISION HIK-IPKIT-KP-MON7/S

- 1 x **301802037** Hikvision 4 port 100Mbps PoE unmanaged switch
- 1 x **DS-KD8003-IME1(B)/S** 1 Button IP Video IP 2 relay module
- 1 x **DS-KD-KP/S** Keypad module
- 1 x **DS-KD-ACW2/S** 2 module surface mount bracket
- 1 x **DS-KH6320-WTE1** 7 Inch IP touch screen LCD Monitor

HIKVISION TDM TOUCH SCREEN 4-IN-1 MODULE AVAILABLE

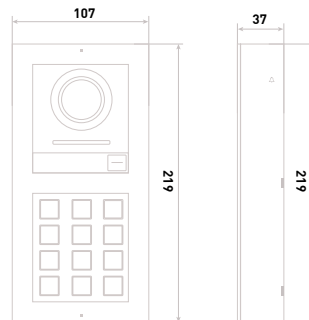
Speak with our sales team for more information on **0113 201 6677** or email **Info@rollingcenter.co.uk**

IP RANGE WITH KEYPAD 7 INCH IP MONITOR - 1 Button

HIK-IPKIT-KP-MON7/B	Hikvision Surface mount 1 button IP Kit with keypad - 7 Inch monitor - Standard
HIK-IPKIT-KP-MON7/S	Hikvision Surface mount 1 button IP Kit with keypad - 7 Inch monitor - Stainless steel
SPARES & ACCESSORIES	
DS-KH6320-WTE1	7 Inch IP touch screen LCD Monitor
301802037	Hikvision 4 port 100Mbps PoE unmanaged switch
DS-KABD8003-RS2	Rain shield for 2 module
DS-KABD8003-RS2/S	Rain shield for 2 module Stainless Steel
DS-KD-ACF2	2 module flush mount bracket
DS-KD-ACF2/S	2 module flush mount bracket stainless steel
DS-KABH6320-T	Desk mount bracket for 7 inch monitor

GET THE APP  

TECHNICAL INFO:



Dimensions in: mm		HIK IP VIDEO WITH KEYPAD & 7 INCH MONITOR
VIDEO MODULE		HIK-IPKIT-KP-MON7
POWER SUPPLY		12VDC, 500mA. POE
RESOLUTION & COMPRESSION		2MP HD / H.264
AUDIO INPUT & OUTPUT		1 BUILT-IN OMNIDIRECTIONAL MICROPHONE / 1 BUILT-IN LOUDSPEAKER
USER & CARD CAPACITY		2000 / 6000 USERS
ALARM INPUT		4 (2 EXIT BUTTONS AND 2 DOOR CONTACTS BY DEFAULT)
NETWORK INTERFACE		1 ETHERNET PORT. 10/100MBPS SELF-ADAPTIVE
LOCK CONTROL		2 RELAYS
PROTECTION LEVEL		IP65
OPERATING TEMP (°C MIN/MAX)		-40 - +60
KEYPAD		
POWER CONSUMPTION		1W
PROTECTION LEVEL		IP65
OPERATING TEMP (°C MIN/MAX)		-40 - +55
HUMIDITY TEMP (°C MIN/MAX)		-10 - +95
7" MONITOR		
POWER SUPPLY		12VDC, 500mA. POE
PROTECTION LEVEL		INDOOR
SCREENSIZE & RESOLUTION		7" / 1024 X 600PX COLOUR
OPERATING SYSTEM		LINUX
OPERATING TEMP (°C MIN/MAX)		-10 - +55



HIK-VISION IP VIDEO INTERCOM RANGE

IP video module is powered by PoE switch module or 12VDC making it very simple to install, connecting to the indoor tablet using IP protocol over the local network.



HIK-VISION HIK-IP-KIT-MON10/B

- 1 x 301802037 Hikvision 4 port 100Mbps PoE unmanaged switch
- 1 x DS-KD8003-IME1(B) 1 Button IP Video IP 2 relay module
- 1 x DS-KD-ACW1 1 module surface mount bracket
- 1 x DS-KH9510-WTE1(B) 10.1 Inch IP touch screen LCD Monitor



HIK-VISION HIK-IP-KIT-MON10/S

- 1 x 301802037 Hikvision 4 port 100Mbps PoE unmanaged switch
- 1 x DS-KD8003-IME1(B)/S 1 Button IP Video IP 2 relay module
- 1 x DS-KD-ACW1/S 1 module surface mount bracket
- 1 x DS-KH9510-WTE1(B) 10.1 Inch IP touch screen LCD Monitor

NEW

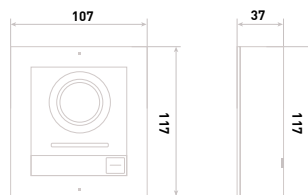


IP RANGE WITH KEYPAD 10 INCH IP MONITOR - 1 Button

HIK-IP-KIT-MON10/B	Hikvision Surface mount 1 button IP Kit with - 10 inch monitor - Standard
HIK-IP-KIT-MON10/S	Hikvision Surface mount 1 button IP Kit with - 10 inch monitor - Stainless steel
SPARES & ACCESSORIES	
DS-KH9510-WTE1(B)	10.1 Inch IP touch screen LCD Monitor
301802037	Hikvision 4 port 100Mbps PoE unmanaged switch
DS-KABD8003-RS1	Rain shield for 1 module
DS-KABD8003-RS1/S	Rain shield for 1 module Stainless Steel
DS-KD-ACF1	1 module flush mount bracket
DS-KD-ACF1/S	1 module flush mount bracket stainless steel

TECHNICAL INFO:

GET THE APP



ROLLING CENTER WHATSAPP TECHNICAL?

Scan the QR code for instant help

Rolling Center Tech Support

Dimensions in: mm		HIK IP VIDEO & 10 INCH MONITOR
VIDEO MODULE		HIK-IPKIT-MON10
POWER SUPPLY		12VDC, 500mA, POE
RESOLUTION & COMPRESSION		2MP HD / H.264
AUDIO INPUT & OUTPUT		1 BUILT-IN OMNIDIRECTIONAL MICROPHONE / 1 BUILT-IN LOUDSPEAKER
USER & CARD CAPACITY		2000 / 6000 USERS
ALARM INPUT		4 (2 EXIT BUTTONS AND 2 DOOR CONTACTS BY DEFAULT)
NETWORK INTERFACE		1 ETHERNET PORT. 10/100MBPS SELF-ADAPTIVE
LOCK CONTROL		2 RELAYS
PROTECTION LEVEL		IP65
OPERATING TEMP (°C MIN/MAX)		-40 - +60
10" MONITOR		
POWER SUPPLY		12VDC, 500mA, POE
PROTECTION LEVEL		INDOOR
SCREENSIZE & RESOLUTION		10.1" / 1024 X 600PX COLOUR
OPERATING SYSTEM		ANDROID 10.1
OPERATING TEMP (°C MIN/MAX)		-10 - +50



NEW



Answer calls & open the gate using the indoor 7 inch touch screen and remotely via the hikconnect mobile app.

Featuring a **2MP** HD Camera, with IR supplement light for night visibility

Programme directly from the 7 inch LCD monitor

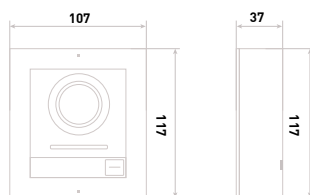


IP RANGE 7 INCH IP MONITOR - 1 Button

HIK-IP-KIT-MON7/B	Hikvision Surface mount 1 button IP Kit with - 7 inch monitor - Standard
HIK-IP-KIT-MON7/S	Hikvision Surface mount 1 button IP Kit with - 7 inch monitor - Stainless steel
SPARES & ACCESSORIES	
DS-KH6320-WTE1	7 Inch IP touch screen LCD Monitor
301802037	Hikvision 4 port 100Mbps PoE unmanaged switch
DS-KABD8003-RS1	Rain shield for 1 module
DS-KABD8003-RS1/S	Rain shield for 1 module Stainless Steel
DS-KD-ACF1	1 module flush mount bracket
DS-KD-ACF1/S	1 module flush mount bracket stainless steel
DS-KABH6320-T	Desk mount bracket for 7 inch monitor

GET THE APP  

TECHNICAL INFO:



HIK-VISION HIK-IP-KIT-MON7/S

- 1 x 301802037 Hikvision 4 port 100Mbps PoE unmanaged switch
- 1 x DS-KD8003-IME1(B)/S 1 Button IP Video IP 2 relay module
- 1 x DS-KD-ACW1/S 1 module surface mount bracket
- 1 x DS-KH6320-WTE1 7 Inch IP touch screen LCD Monitor

Dimensions in: mm		HIK IP VIDEO & 7 INCH MONITOR
VIDEO MODULE		HIK-IPKIT-MON7
POWER SUPPLY		12VDC, 500mA. POE
RESOLUTION & COMPRESSION		2MP HD / H.264
AUDIO INPUT & OUTPUT		1 BUILT-IN OMNIDIRECTIONAL MICROPHONE / 1 BUILT-IN LOUDSPEAKER
USER & CARD CAPACITY		2000 / 6000 USERS
ALARM INPUT		4 (2 EXIT BUTTONS AND 2 DOOR CONTACTS BY DEFAULT)
NETWORK INTERFACE		1 ETHERNET PORT. 10/100MBPS SELF-ADAPTIVE
LOCK CONTROL		2 RELAYS
PROTECTION LEVEL		IP65
OPERATING TEMP (°C MIN/MAX)		-40 - +60
7" MONITOR		
POWER SUPPLY		12VDC, 500mA. POE
PROTECTION LEVEL		INDOOR
SCREENSIZE & RESOLUTION		7" / 1024 X 600PX COLOUR
OPERATING SYSTEM		LINUX
OPERATING TEMP (°C MIN/MAX)		-10 - +55

NEED ACCESS CONTROL SOLUTIONS?

See page **83** for details



HIK-VISION ANPR BULLET CAMERA

Automatic Number Plate Recognition (ANPR), also known as License Plate Recognition (LPR), is a technology that revolutionized traffic enforcement from its early days. It has helped reduce the number of traffic violations and stolen or uninsured vehicles. Now, the technology is finding its way into our everyday lives, from parking management to toll collection and beyond.

With embedded deep learning based license plate capture and recognition algorithms, the camera alone can achieve plate capture and recognition. The algorithm enjoys the high recognition accuracy of common plates and complex-structured plates, which is a great step forward comparing to traditional algorithms. Blocklist and allowlist are available for plate categorization and separate alarm triggering.

2MP DEEPINVIEW ANPR MOTO VARIFOCAL BULLET CAMERA

IDS-2CD7A26G0/P-IZHSY

Hikvision 2MP deepinview varifocal bullet ANPR camera

SPARES & ACCESSORIES

DS-1475ZJ-SUS

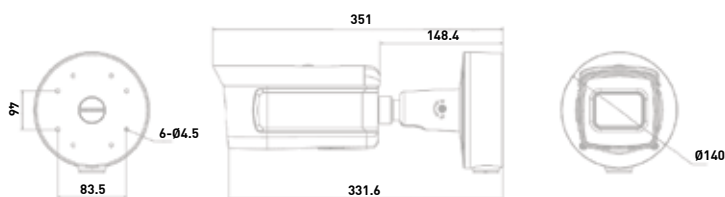
Vertical pole mount bracket

DS-1476ZJ-SUS

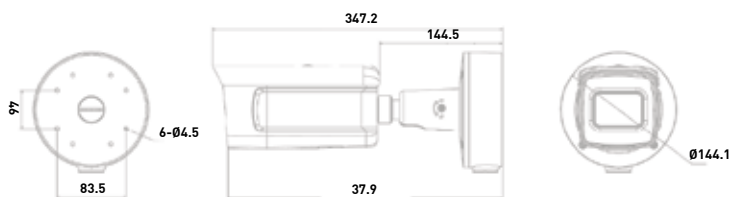
Corner mount bracket

TECHNICAL INFO:

WITH Y MODEL



WITHOUT Y MODEL



Dimensions in: mm		HIK ANPR BULLET CAMERA
CAMERA / LENS		IDS-2CD7A26G0/P-IZHSY
MAX RESOLUTION		1920 X 1080P
FOCAL LENGTH / FOCUS		2.8 - 12MM / AUTO, SEMI-AUTO & MANUAL
VIDEO BIT RATE		32 - 8 KBPS
GENERAL		
POWER SUPPLY		12VDC, 1.19A MAX. 14.28 WATT PoE
MATERIAL		ALUMINIUM ALLOY
OPERATING TEMP (°C MIN/MAX)		-40 - +60
WEIGHT		1950G



NEW



ADVANCED LICENCE PLATE RECOGNITION CAMERA SYSTEM

CAM1003

Pal LRP wireless camera & 1 year remote management

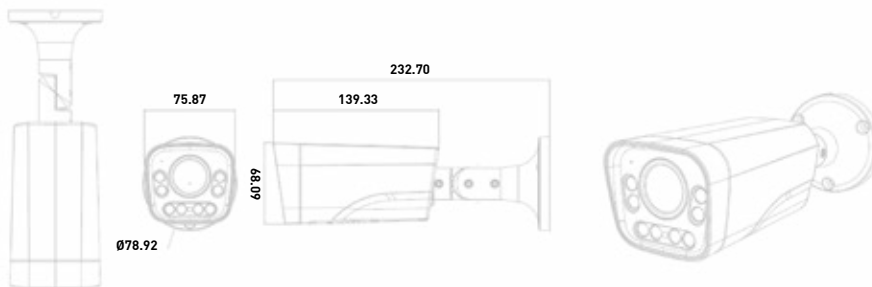
PAL LRP ADVANCED LICENCE PLATE RECOGNITION CAMERA SYSTEM

AI technology wireless **Licence plate recognition** camera, designed to capture license plates with remote management and control through the web portal and PalGate App.

Plug and play installation with power **12Vdc & PoE**.

With advanced functions such as parking management, specific permissions for each vehicle, time slot events and reports.

TECHNICAL INFO:



Dimensions in: mm		PAL LRP CAMERA SYSTEM
ELECTRICAL DATA		CAM1003
POWER SUPPLY		12VDC, POE
CURRENT		1A
INFRARED RANGE		2.8 - 12MM: UP TO 50M
OUTPUT		1 RELAY
INPUT		2 ALARM RELAYS
NETWORK INTERFACE		4G CELLULAR NETWORK, CAT 4 700MHZ – 2600MHZ RJ45 10M/100M BASE-TX ETHERNET.
LENS		2.7 TO 12MM@F1.2 AF
ZOOM / FOCUS		AUTOMATIC FOCUSING AND MOTORIZED ZOOM LENS
WDR		UP TO 120 DB WDR (WIDE DYNAMIC RANGE)
DIMENSIONAL & GENERAL DATA		
PROTECTION LEVEL		IP67
VANDALRESISTANT		IK10
OPERATING TEMP (°C MIN/MAX)		-30 - +60
DIMENSIONS (MM)		75.87 X 68.09 X 232.79

REGISTER FOR A TRADE ACCOUNT TODAY TO RECEIVE TRADE DISCOUNTS

Call us on **0113 201 6677** our friendly team are here to help.

'24

2024 TRADE CATALOGUE

GATE HARDWARE
GATE AUTOMATION
ACCESS CONTROL
GATE SAFETY
ALUMINIUM GATES



TEL. 0113 201 6677

SECTION E

LOCKS & CLOSERS

SWING GATE LOCKS	160
SWING INSERT GATE LOCKS	166
SLIDING GATE LOCKS	168
SWING MECHANICAL CODE GATE LOCKS	170
SLIDING MECHANICAL CODE GATE LOCKS	174
SWING MECHANICAL LOCKS	175
SWING ELECTRIC CODE GATE LOCKS	178
MAGNETIC LOCKS	180
ELECTRIC LOCKS	186
ELECTRIC DROP BOLTS	187
MANUAL DROP BOLTS	190
HEAVY DUTY ELECTRIC DROP BOLTS	192
HYDRAULIC GATE CLOSERS	193
MOTORISED GATE CLOSERS	202
GAS GATE CLOSERS	203



GATEMASTER BLD SUPERLOCK SWING GATE LOCKS

The Gatemaster Superlock, our newest range and the slimmest bolt-on lock on the market. Whilst smart and stylish, these locks couple with toughness and durability to be a world-class range.

The bolt on latch deadlock has both the convenience of a latch and the security of a deadlock while its slim 70mm width means the lock will fit into most gate designs.

Features:

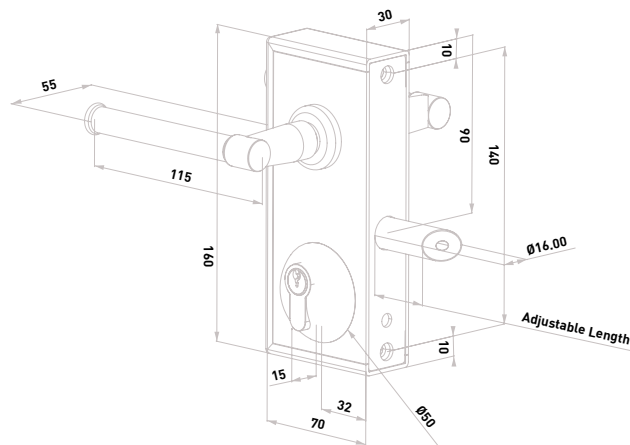
- Secure – This lock is adjustable in length, latching 40mm into the gate post and moves to 60mm when deadlocked
- Strong marine grade – Made from stainless steel and brass the lock is guaranteed to stand up to all weathers
- Adaptable – Slim 70mm case which means this lock can suit a variety of different gate styles
- Convenient – The superlock can be rotated for left or right handed gates
- Reliable - Supplied with a guide plate with brass bearing to ensure the lock lasts
- Added security - Use with a superlock keep to increase security



BLACK INDUSTRIAL GATE LOCKS - For 10 - 60mm box section

BLD1030S	10-30mm box section bolt-on superlock with plain handle
BLD1030T	10-30mm box section bolt-on superlock with traditional handle
BLD4060S	40-60mm box section bolt-on superlock with plain handle
BLD4060T	40-60mm box section bolt-on superlock with traditional handle
SPARES & ACCESSORIES	
BSK	Security keep for superlock range
BSKS	Interlocking security keep for Superlock range
TDH	Twisted pattern traditional handle

TECHNICAL INFO:



Dimensions in: mm	GATEMASTER INDUSTRIAL GATE LOCKS
	SUPERLOCK BOLT-ON LATCH DEADLOCK
	SECURE – THIS LOCK IS ADJUSTABLE IN LENGTH, LATCHING 40MM INTO THE GATE POST AND MOVES TO 60MM WHEN DEADLOCKED
	STRONG MARINE GRADE – MADE FROM STAINLESS STEEL AND BRASS THE LOCK IS GUARANTEED TO STAND UP TO ALL WEATHERS
	ADAPTABLE – SLIM 70MM CASE WHICH MEANS THIS LOCK CAN SUIT A VARIETY OF DIFFERENT GATE STYLES
	CONVENIENT – THE SUPERLOCK CAN BE ROTATED FOR LEFT OR RIGHT HANDED GATES
	RELIABLE - SUPPLIED WITH A GUIDE PLATE WITH BRASS BEARING TO ENSURE THE LOCK LASTS
	ADDED SECURITY - USE WITH A SUPERLOCK KEEP TO INCREASE SECURITY
	AVAILABLE IN TWO SIZES
	SUPPLIED WITH HANDLES



GATEMASTER SWD DEADLOCK WELD-IN SWING GATE LOCK

Weld-in gate locks are an unobtrusive but secure method of locking a gate. Simply weld the steel case into the gate frame and paint with the gate, the mechanism slides in afterwards.

A solution for both bespoke and mass-produced gates, weld-in gate locks come in a variety of styles and widths. The design enables a section of the gate to be cut out and the lock welded in place, flush with the front and sides of the box section.

Solid and reliable lock with a single keyed deadlocking action that moves 30mm with one turn of the key.

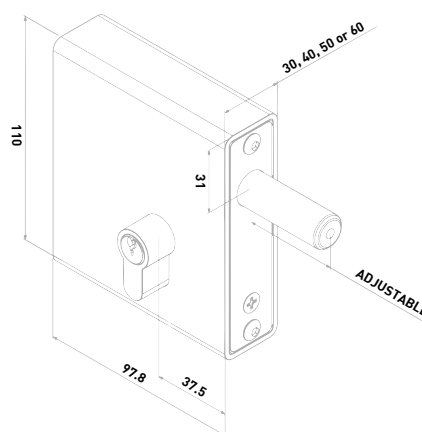
Features:

- Secure – Stainless steel deadbolt which moves 30mm with one turn of the key
- Adaptable – Deadbolt is adjustable in length for precise fitting on site
- Strong – Welding the lock into the gate is the most secure method of fixing a lock into a gate
- Keyed both sides for easy access
- Lock case is made from 2.5mm steel.
- 4 lock case widths available to suit different box section sizes **30mm, 40mm, 50mm & 60mm**

WELD IN KEYED DEADLOCK WITH STAINLESS STEEL DEADBOLT - For 30 - 60mm box section

SWD1630	Weld in keyed deadlock 30mm case width – no handle
SWD1640	Weld in keyed deadlock 40mm case width – no handle
SWD1650	Weld in keyed deadlock 50mm case width – no handle
SWD1660	Weld in keyed deadlock 60mm case width – no handle

TECHNICAL INFO:



GATEMASTER INDUSTRIAL GATE LOCKS	
SUPERLOCK WELD-IN DEADLOCK	
STAINLESS STEEL DEADBOLT WHICH MOVES 30MM WITH ONE TURN OF THE KEY	
DEADBOLT IS ADJUSTABLE ON LENGTH FOR PRECISE FITTING ON SITE	
LOCKCASE MADE OF 2.5MM STEEL	
VERY EASY TO FIT AND COMES IN FOUR WIDTHS	
SECURE – STAINLESS STEEL DEADBOLT WHICH MOVES 30MM WITH ONE TURN OF THE KEY	
ADAPTABLE – DEADBOLT IS ADJUSTABLE IN LENGTH FOR PRECISE FITTING ON SITE	
STRONG – WELDING THE LOCK INTO THE GATE IS THE MOST SECURE METHOD OF FIXING A LOCK INTO A GATE	
KEYED BOTH SIDES FOR EASY ACCESS	
LOCK CASE IS MADE FROM 2.5MM STEEL	
4 LOCK CASE WIDTHS AVAILABLE TO SUIT DIFFERENT BOX	
NOT SUPPLIED WITH HANDLES	

GATEMASTER SWLD RANGE WITH HANDLES AVAILABLE

Speak with our sales team for more information on **0113 201 6677** or email Info@rollingcenter.co.uk



LOCINOX LAKQ BLACK INDUSTRIAL SWING GATE LOCKS

High quality **surface mount** gate lock with aluminium housing and stainless steel mechanism. We advise this lock as a standard for all your industrial gates.

The **20mm** continuous adjustability of the bolts ensures a perfect latching / locking mechanism. A solid stainless steel deadbolt with a **23mm** throw guarantees a secure lock.

Standard supplied with anodized **(3006M)** aluminium handle pair. For a fast and highly precise installation.



BLACK INDUSTRIAL GATE LOCKS - For 10 - 60mm box section

LAKQ 10 U2L VSZM 9005

Aluminium handles - 10 - 30mm flat bar - 54mm barrel

LAKQ 30 U2L VSZM 9005

Aluminium handles - 30 - 50mm box section - 54mm barrel

LAKQ 40 U2L VSZM 9005

Aluminium handles - 40 - 60mm box section - 54mm barrel

SPARES & ACCESSORIES

3012-54-STD-VSZ

54mm keyed alike euro cylinder

3006B

Pair black anodised aluminium handle - 66.5 x 8 x 8mm follower

3006D

Pair curved edge anodised aluminium handle - 60 x 8 x 8mm follower

3006FA

Pair ornate black powder coated aluminium handle - 65 x 8 x 8mm follower

3006M

Pair square edge anodised aluminium handle - 60 x 8 x 8mm follower

SAKL9005QF2

Black adjustable keep - 40mm + box section

SHKL9005QF2K

Black adjustable security keep - 40-60mm box section

MODULEC-SA

Surface mounted electric strike - 12-24v ac/dc

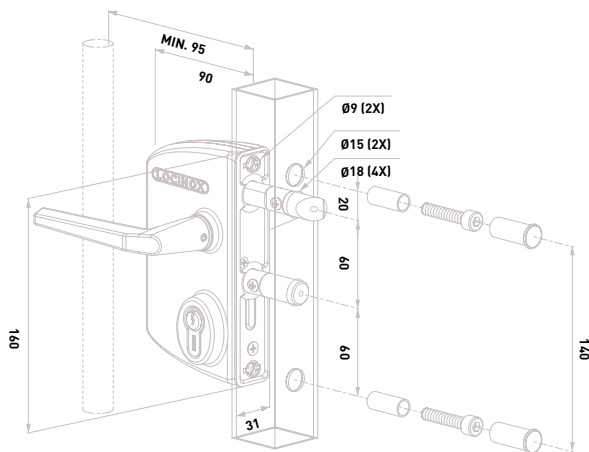
SHROUD-LA

Security shroud for surface mounted locks with free exit configuration

3006PUSH

Push handle set for free opening in aluminium

TECHNICAL INFO:



ROLLING CENTER CAVO FALL PROTECTION CABLES

Turn to page **70**

LOCINOX INDUSTRIAL GATE LOCKS	
SPECIFICATION	
ISO 9227 KTL / E-COATED LOCK BOX WITHSTANDS 1000 HOURS OF SALT SPRAY TEST	
EASY LEFT OR RIGHT CHANGING OF THE SELF-LATCHING DAYBOLT	
23 MM THROW OF THE DEAD BOLT, IN 1 TURN OF THE KEY	
KEY-OPERATED SELF-LATCHING BOLT	
4-HOLE FIXING WITH TWO HEXAGON SOCKET HEAD SCREWS	
60 MM CENTER DISTANCE OF THE BOLTS	
CONTINUOUS ADJUSTMENT OF THE DAYBOLT UP TO 20 MM WITHOUT DISMOUNTING THE LOCK BOX	
STAINLESS STEEL MECHANISM	



**LOCINOX
LAKQ
BLACK INDUSTRIAL
SWING GATE LOCK**

High quality **surface mount** gate lock with aluminium housing and stainless steel mechanism. We advise this lock as a standard for all your industrial gates.

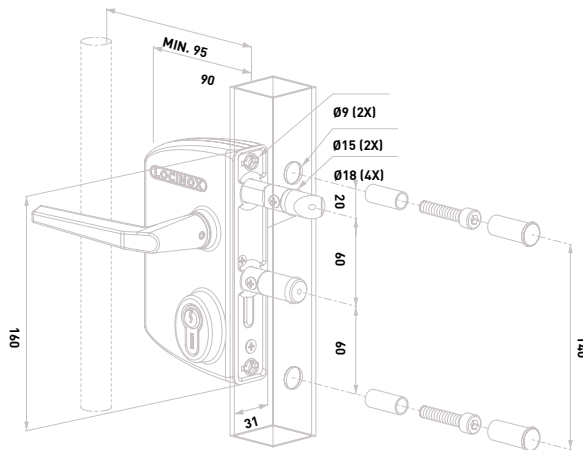
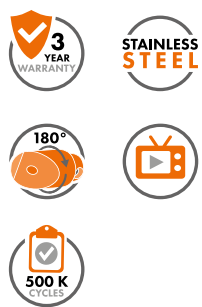
The **20mm** continuous adjustability of the bolts ensures a perfect latching / locking of the mechanism. A solid stainless steel deadbolt with a **23mm** throw guarantee a secure locking.

Standard supplied with black powder coated decorative **(3006FA)** aluminium handle pair. For a fast and highly precise installation.

BLACK INDUSTRIAL GATE LOCKS - For 10 - 60mm box section

LAKQ 10 U2L VSZFA 9005	Ornate handles - 10 - 30mm flat bar - 54mm barrel
LAKQ 30 U2L VSZFA 9005	Ornate handles - 30 - 50mm box section - 54mm barrel
LAKQ 40 U2L VSZFA 9005	Ornate handles - 40 - 60mm box section - 54mm barrel
SPARES & ACCESSORIES	
3012-54-STD-VSZ	54mm keyed alike euro cylinder
3006B	Pair black anodised aluminium handle - 66.5 x 8 x 8mm follower
3006D	Pair curved edge anodised aluminium handle - 60 x 8 x 8mm follower
3006FA	Pair ornate black powder coated aluminium handle - 65 x 8 x 8mm follower
3006M	Pair square edge anodised aluminium handle - 60 x 8 x 8mm follower
SAKL9005QF2	Black adjustable keep - 40mm + box section
SHKL9005QF2K	Black adjustable security keep - 40-60mm box section
MODULEC-SA	Surface mounted electric strike - 12-24v ac/dc
SHROUD-LA	Security shroud for surface mounted locks with free exit configuration
3006PUSH	Push handle set for free opening in aluminium

TECHNICAL INFO:



Dimensions in: mm

LOCINOX INDUSTRIAL GATE LOCKS

SPECIFICATION

ISO 9227 KTL / E-COATED LOCK BOX WITHSTANDS 1000 HOURS OF SALT SPRAY TEST
EASY LEFT OR RIGHT CHANGING OF THE SELF-LATCHING DAYBOLT
23 MM THROW OF THE DEAD BOLT, IN 1 TURN OF THE KEY
KEY-OPERATED SELF-LATCHING BOLT
4-HOLE FIXING WITH TWO HEXAGON SOCKET HEAD SCREWS
60 MM CENTER DISTANCE OF THE BOLTS
CONTINUOUS ADJUSTMENT OF THE DAYBOLT UP TO 20 MM WITHOUT DISMOUNTING THE LOCK BOX
STAINLESS STEEL MECHANISM

FOR SWING GATE HINGES

See page **180** for details



LOCINOX LAKY SMALL BLACK ORNATE SWING GATE LOCK

Quality ornamental **surface mount** lock with aluminium housing and stainless steel mechanism. We advise this lock as a standard for all your ornamental gates.

The **10mm** continuous adjustability of the bolts ensures a perfect latching / locking mechanism. A solid stainless steel deadbolt with a **23mm** throw guarantees a secure lock.

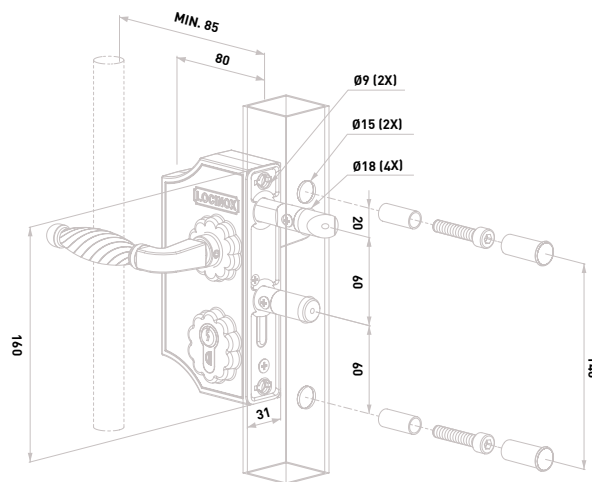
Standard supplied with black powder coated decorative **(3006FA)** aluminium handle pair. For a fast and highly precise installation.



SMALL BLACK ORNATE GATE LOCKS - For 10 - 60mm box section

LAKY 10 F2L VCAFA 9005	Ornate handles - 10 - 30mm flat bar - 46mm barrel
LAKY 30 F2L VCAFA 9005	Ornate handles - 30 - 50mm box section - 46mm barrel
LAKY 40 F2L VCAFA 9005	Ornate handles - 40 - 60mm box section - 46mm barrel
SPARES & ACCESSORIES	
3012-46-STD-VSZ	46mm keyed alike euro cylinder
3006B	Pair black anodised aluminium handle - 66.5 x 8 x 8mm follower
3006D	Pair curved edge anodised aluminium handle - 60 x 8 x 8mm follower
3006FA	Pair ornate black powder coated aluminium handle - 65 x 8 x 8mm follower
SAKL9005QF2	Black adjustable keep - 40mm + box section
SHKL9005QF2K	Black adjustable security keep - 40-60mm box section
MODULEC-SA	Surface mounted electric strike - 12-24v ac/dc
SHROUD-LA	Security shroud for surface mounted locks with free exit configuration
3006PUSH	Push handle set for free opening in aluminium

TECHNICAL INFO:



NEED ASSISTANCE WITH CHOOSING THE RIGHT KIT?

Call us on **0113 201 6677** our friendly team are here to help.

Dimensions in: mm

LOCINOX SMALL ORNATE GATE LOCKS

SPECIFICATION

- ISO 9227 KTL / E-COATED LOCK BOX WITHSTANDS 1000 HOURS OF SALT SPRAY TEST
- EASY LEFT OR RIGHT CHANGING OF THE SELF-LATCHING DAYBOLT
- 23 MM THROW OF THE DEAD BOLT, IN 1 TURN OF THE KEY
- CONTINUOUS ADJUSTMENT OF 10 MM FOR THE BOLTS WITHOUT REMOVING THE LOCK
- KEY-OPERATED SELF-LATCHING BOLT
- 4-HOLE FIXING WITH TWO HEXAGON SOCKET HEAD SCREWS
- 60 MM CENTER DISTANCE OF THE BOLTS



**LOCINOX
LAKQ
LARGE BLACK ORNATE
SWING GATE LOCK**

Excellent ornamental **surface mount** lock with aluminium housing and stainless steel mechanism. We advise this lock as a standard for all your ornamental gates.

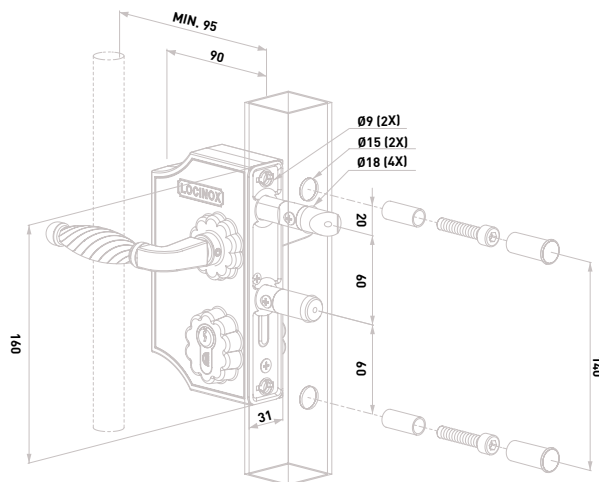
The **20mm** continuous adjustability of the bolts ensures a perfect aligned locking mechanism. A solid stainless steel deadbolt with a **23mm** throw guarantees a secure lock.

Standard supplied with black powder coated decorative **(3006FA)** aluminium handle pair. For a fast and highly precise installation.

LARGE BLACK ORNATE GATE LOCKS - For 10 - 60mm box section

LAKQ 10 H2L VSZFA 9005	Ornate handles - 10 - 30mm flat bar - 46mm barrel
LAKQ 30 H2L VSZFA 9005	Ornate handles - 30 - 50mm box section - 46mm barrel
LAKQ 40 H2L VSZFA 9005	Ornate handles - 40 - 60mm box section - 46mm barrel
SPARES & ACCESSORIES	
3012-54-STD-VSZ	54mm keyed alike euro cylinder
3006B	Pair black anodised aluminium handle - 66.5 x 8 x 8mm follower
3006D	Pair curved edge anodised aluminium handle - 60 x 8 x 8mm follower
3006FA	Pair ornate black powder coated aluminium handle - 65 x 8 x 8mm follower
SAKL9005QF2	Black adjustable keep - 40mm + box section
SHKL9005QF2K	Black adjustable security keep - 40-60mm box section
MODULEC-SA	Surface mounted electric strike - 12-24v ac/dc
SHROUD-LA	Security shroud for surface mounted locks with free exit configuration
3006PUSH	Push handle set for free opening in aluminium

TECHNICAL INFO:



LOCINOX LARGE ORNATE GATE LOCKS
SPECIFICATION
ISO 9227 KTL / E-COATED LOCK BOX WITHSTANDS 1000 HOURS OF SALT SPRAY TEST
EASY LEFT OR RIGHT CHANGING OF THE SELF-LATCHING DAYBOLT
23 MM THROW OF THE DEAD BOLT, IN 1 TURN OF THE KEY
CONTINUOUS ADJUSTMENT OF 20 MM FOR THE BOLTS WITHOUT REMOVING THE LOCK
KEY-OPERATED SELF-LATCHING BOLT
4-HOLE FIXING WITH TWO HEXAGON SOCKET HEAD SCREWS
60 MM CENTER DISTANCE OF THE BOLTS

**LOCINOX
ELECTRADROP
ELECTRIC
DROP BOLT**

Turn to page **165**



LOCINOX FORTYLOCK 40MM INSERT GATE LOCK SET

- 1 x FORTYLOCK Insert lock
- 1 x SFKI QF40 Insert stainless steel keep
- 2 x 3020-HYB-ALU-ZILV Cover shields
- 1 x 3006M-H Aluminium handles
- 1 x 3012-54-STD-VSZ Euro cylinder

Insert lock with 100% stainless steel mechanism. The stainless steel adjustable self-latching bolt and hook combined with the keep guarantee a solidly closed gate where the gate wings can not be pulled apart or forced open.

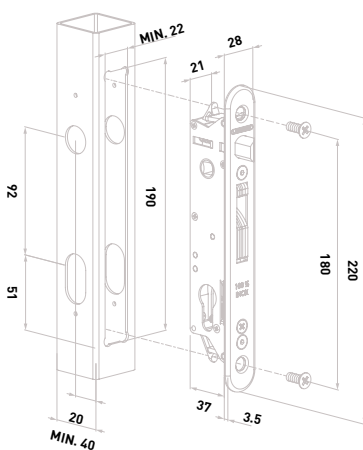
The lock can be installed on metal, aluminium and PVC gates. Thanks to the patented "Click-It" system, installing the lock can be done in a matter of seconds.



FORTYLOCK INSERT GATE LOCK - 20mm backset for 40mm + box section

FORTYSET-40I-MA	Insert lock set - 20mm backset - 40mm+ box section - 54mm barrel
SPARES & ACCESSORIES	
FORTYLOCK	Insert lock - 40mm+ box section
3012-54-STD-VSZ	54mm keyed alike euro cylinder
3006B-H	Pair black anodised aluminium handle - 120 x 8 x 8mm follower
3006J-H	Pair aluminium handle - 120 x 8 x 8mm follower - anti-bump
3006M-H	Pair aluminium handle - 120 x 8 x 8mm follower
SFKM	Stainless steel surface mount keep
SFKI	Insert stainless steel mount keep
MODULEC-SF	Surface mounted electric strike - 12-24v ac/dc
3020-HYB-STD	Polyamide cover shields for insert locks
3020-HYB-ALU-ZILV	Silver - aluminium cover shields for insert locks
3020-HYB-ALU-9005	Black - aluminium cover shields for insert locks

TECHNICAL INFO:



LOOKING FOR SWING GATE HARDWARE EQUIPMENT?

Visit www.rollingcenter.co.uk or call 0113 201 6677 for more information.

Dimensions in: mm	LOCINOX FORTYSET GATE INSERT LOCK SET SPECIFICATION
	LOCK MECHANISM WITH COVER PLATE AGAINST DIRT PENETRATION
	PATENTED "CLICK-IT" SYSTEM MAKES THREAD TAPPING UNNECESSARY
	CONTINUOUS ADJUSTMENT OF THE DAYBOLT UP TO 10 MM WITHOUT DISMOUNTING THE LOCK BOX
	KEY-OPERATED SELF-LATCHING BOLT
	MECHANISM, HOOK, FRONTPLATE, LATCHBOLT: STAINLESS STEEL
	EASY LEFT OR RIGHT CHANGING OF THE SELF-LATCHING DAYBOLT
	THROW OF THE HOOK: 21 MM
	CENTER-DISTANCE CYLINDER <=> HANDLES = 92 MM
	OPTIONAL: COVER SHIELD FOR HANDLE & CYLINDER HOLES IN ALUMINIUM, POLYAMIDE OR STAINLESS STEEL



FIFTYLOCK INSERT GATE LOCKS - 30mm backset for 50mm + box section

FIFTYSET-50U-JA	Insert lock set - 30mm backset - 50mm+ box section - 54mm barrel
SPARES & ACCESSORIES	
FIFTYLOCK	Insert lock - 40mm+ box section
3012-60-STD-VSZ	60mm keyed alike euro cylinder
3006B-H	Pair black anodised aluminium handle - 120 x 8 x 8mm follower
3006J-H	Pair aluminium handle - 120 x 8 x 8mm follower - anti-bump
3006M-H	Pair aluminium handle - 120 x 8 x 8mm follower
SFKU-40-ALUM	Aluminium surface mount keep
SFKI	Insert stainless steel mount keep
MODULEC-SF	Surface mounted electric strike - 12-24v ac/dc
3020-HYB-STD	Polyamide cover shields for insert locks
3020-HYB-ALU-ZILV	Silver - aluminium cover shields for insert locks
3020-HYB-ALU-9005	Black - aluminium cover shields for insert locks

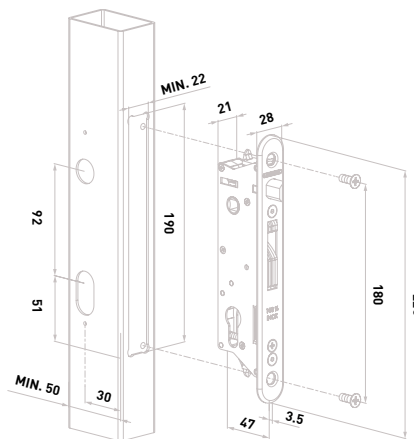
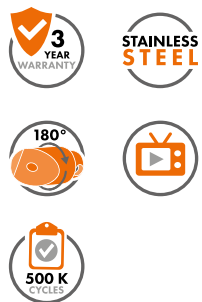
LOCINOX FIFTYLOCK 50MM INSERT GATE LOCK SET

- 1 x FIFTYLOCK Insert lock
- 1 x SFKM ALUM Insert stainless steel keep
- 1 x 3020-HYB-ALU-ZILV Cover shields
- 1 x 3006J-H Aluminium handles
- 1 x 3012-60-STD-VSZ Euro cylinder

Prime insert lock with 100% stainless steel mechanism. The stainless steel adjustable self-latching bolt and hook combined with the keep guarantee a solidly closed gate where the gate wings can not be pulled apart or forced open.

The lock can be installed on metal, aluminium and PVC gates. Thanks to the patented "Click-It" system the lock is mounted in seconds.

TECHNICAL INFO:



Dimensions in: mm

LOCINOX FIFTY GATE INSERT LOCK SET SPECIFICATION

STAINLESS STEEL LOCK MECHANISM WITH COVER PLATE AGAINST DIRT PENETRATION
MECHANISM, HOOK, FRONTPLATE, LATCHBOLT: STAINLESS STEEL
BACKSET 30 MM, FOR MOUNTING IN PROFILES OF 50 MM DEPTH OR MORE
CONTINUOUS ADJUSTMENT OF THE DAYBOLT UP TO 10 MM WITHOUT DISMOUNTING THE LOCK BOX
KEY-OPERATED SELF-LATCHING BOLT
EASY LEFT OR RIGHT CHANGING OF THE SELF-LATCHING DAYBOLT
THROW OF THE HOOK: 21 MM
CENTER-DISTANCE CYLINDER <=> HANDLES = 92 MM
OPTIONAL: COVER SHIELD FOR HANDLE & CYLINDER HOLES IN ALUMINIUM, POLYAMIDE OR STAINLESS STEEL

LOCINOX USAFE FALL ARREST DEVICE

Turn to page 165



LOCINOX LSKZ SILVER INDUSTRIAL SLIDING GATE LOCK

First-grade **surface mount** lock for manual sliding gates with aluminium housing and stainless steel mechanism.

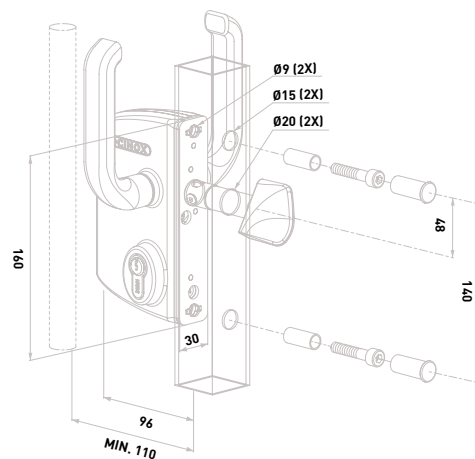
The unique Twistfinger and conforming self-correcting keep guarantees a perfectly aligned closure. For a fast and highly precise installation.



INDUSTRIAL SILVER SLIDING GATE LOCKS - 40 - 100mm box section

LSKZ 40 U2L VSZS SILV	Aluminium handles - 40mm box section - 54mm barrel
LSKZ 50 U2L VSZS SILV	Aluminium handles - 50mm box section - 54mm barrel
LSKZ 60 U2L VSZS SILV	Aluminium handles - 60mm box section - 54mm barrel
LSKZ 80 U2L VSZS SILV	Aluminium handles - 80mm box section - 54mm barrel
LSKZ 100 U2L VSZS SILV	Aluminium handles - 100mm box section - 54mm barrel
SPARES & ACCESSORIES	
3012-54-STD-VSZ	54mm keyed alike euro cylinder
3006S	Pair reinforced aluminium handle - 60 x 10 x 10mm follower
SSKZ-QF	Sliding gate keep

TECHNICAL INFO:



NEED A GATE CLOSER?

See page !!! for details

LOCINOX LSKZ SLIDING GATE LOCK
SPECIFICATION
ISO 9227 KTL / E-COATED LOCK BOX WITHSTANDS 1000 HOURS OF SALT SPRAY TEST
MECHANISM AND TWISTFINGER IN STAINLESS STEEL
ADJUSTABLE FOR HORIZONTAL OR VERTICAL MOUNTING OF THE KEEP (CATCH BOLT)
FIXING WITH 2 HEXAGON SOCKET HEAD SCREWS
INNOVATIVE CLOSING SYSTEM
STAINLESS STEEL COLLAR AROUND THE TWISTFINGER PREVENTS CUTTING THROUGH THE TWISTFINGER (CATCHBOLT)
STANDARD WITH REINFORCED ALUMINIUM HANDLE PAIR
3006S: SQUARE 10 MM FOLLOWER



**LOCINOX
LSKZ
BLACK INDUSTRIAL
SLIDING GATE LOCK**

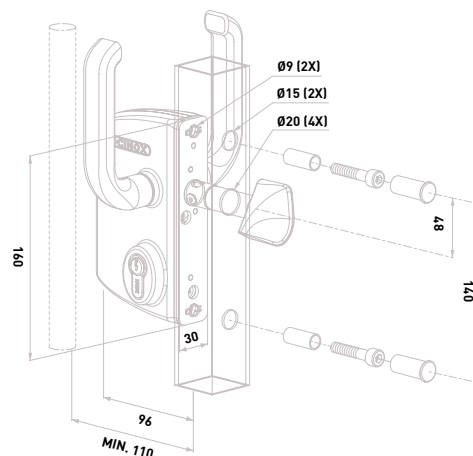
First-grade **surface mount** lock for manual sliding gates with aluminium housing and stainless steel mechanism.

The unique Twistfinger and conforming self-correcting keep guarantees a perfectly aligned closure. For a fast and highly precise installation.

BLACK INDUSTRIAL SLIDING GATE LOCKS - 40 - 100mm box section

LSKZ 40 U2L VSZS 9005	LSKZ 4040 U2L 9005 VSZ S - Aluminium handles - 40mm box section - 54mm barrel
LSKZ 50 U2L VSZS 9005	LSKZ 5050 U2L 9005 VSZ S - Aluminium handles - 50mm box section - 54mm barrel
LSKZ 60 U2L VSZS 9005	LSKZ 6060 U2L 9005 VSZ S - Aluminium handles - 60mm box section - 54mm barrel
LSKZ 80 U2L VSZS 9005	LSKZ 8080 U2L 9005 VSZ S - Aluminium handles - 80mm box section - 54mm barrel
LSKZ 100 U2L VSZS 9005	LSKZ1 00100 U2L 9005 VSZ S - Aluminium handles - 100mm box section - 54mm barrel
SPARES & ACCESSORIES	
3012-54-STD-VSZ	54mm keyed alike euro cylinder
3006S	Pair reinforced aluminium handle - 60 x 10 x 10mm follower
SSKZ-QF	Sliding gate keep

TECHNICAL INFO:



Dimensions in: mm	LOCINOX LSKZ SLIDING GATE LOCK
	SPECIFICATION
	ISO 9227 KTL / E-COATED LOCK BOX WITHSTANDS 1000 HOURS OF SALT SPRAY TEST
	MECHANISM AND TWISTFINGER IN STAINLESS STEEL
	ADJUSTABLE FOR HORIZONTAL OR VERTICAL MOUNTING OF THE KEEP (CATCH BOLT)
	FIXING WITH 2 HEXAGON SOCKET HEAD SCREWS
	INNOVATIVE CLOSING SYSTEM
	STAINLESS STEEL COLLAR AROUND THE TWISTFINGER PREVENTS CUTTING THROUGH THE TWISTFINGER (CATCHBOLT)
	STANDARD WITH REINFORCED ALUMINIUM HANDLE PAIR
	3006S: SQUARE 10 MM FOLLOWER

**NEED ASSISTANCE?
CONTACT OUR
TECHNICAL TEAM?**

Call us on
0113 201 6677 or email
Info@rollingcenter.co.uk



GATEMASTER BDG SUPERLOCK DOUBLE SIDED SWING MECHANICAL CODE GATE LOCK

The digital double sided Superlock combines the convenience of a mechanical keypad with the ease of installation of the Superlock range. To fit, simply drill three holes in the gate frame and bolt the lock on.

The Gatemaster Superlock, our newest range and the slimmest bolt-on lock on the market. Whilst smart and stylish, these locks couple with toughness and durability to be a world-class range.

Features:

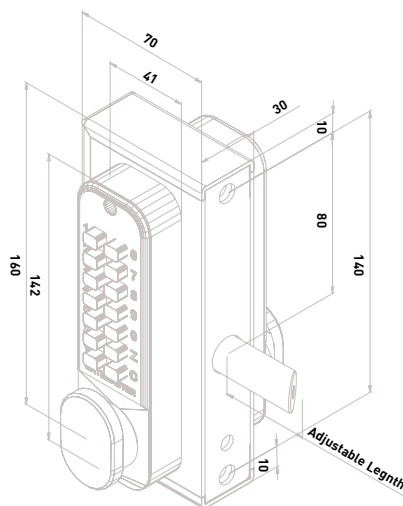
- Slim - 70mm case means this lock can suit a variety of different gate styles
- Secure - Latchbolt projects up to 20mm into the gate post which increases security and gives more tolerance
- Long lasting - Bolt support plate with brass bearing ensures lock will last!
- Adaptable - Latchbolt can be adjusted in length and set to left hand or right hand
- Auto-latching - Close the gate and the latchbolt latches into the gate frame. To open the gate - enter the code and turn the handle



BDG SUPERLOCK MECHANICAL CODED GATE LOCKS - For 10 - 30 & 40-60mm box section

BDG1030	Superlock double sided digital keypad - 10-30mm box section
BDG4060	Superlock double sided digital keypad - 40-60mm box section
SPARES & ACCESSORIES	
BSKS	Security keep for Superlock with interlocking tab
BSK	Security keep for Superlock

TECHNICAL INFO:



**ROLLING CENTER
CR40 WRAP
AROUND HINGE**

Turn to page !!!

Dimensions in: mm	GATEMASTER INDUSTRIAL GATE LOCKS
	SUPERLOCK BOLT-ON MECHANICAL CODED LOCK
	SLIM - 70MM CASE MEANS THIS LOCK CAN SUIT A VARIETY OF DIFFERENT GATE STYLES
	SECURE - LATCHBOLT PROJECTS UP TO 20MM INTO THE GATE POST WHICH INCREASES SECURITY AND GIVES MORE TOLERANCE
	ADAPTABLE - LATCHBOLT CAN BE ADJUSTED IN LENGTH AND SET TO LEFT HAND OR RIGHT HAND
	AUTO-LATCHING - CLOSE THE GATE AND THE LATCHBOLT LATCHES INTO THE GATE FRAME. TO OPEN THE GATE - ENTER THE CODE AND TURN THE HANDLE
	THIS LOCK HAS KEYPADS ON BOTH SIDES



**GATEMASTER
BDGS SUPERLOCK
SINGLE SIDED SWING
MECHANICAL CODE GATE LOCK**

The digital single sided Superlock combines the convenience of a mechanical keypad with the ease of installation of the Superlock range. To fit, simply drill three holes in the gate frame and bolt the lock on.

The slim Superlock digital single sided is perfect for fitting to box section metal gate frames. Simply bolt the lock onto the gate frame and adjust the latchbolt to suit your gate.

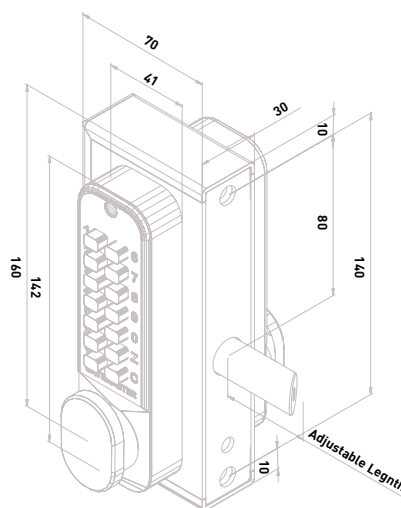
Features:

- Slim - 70mm case means this lock can suit a variety of different gate styles
- Secure - Latchbolt projects up to 20mm into the gate post which increases security and gives more tolerance
- Long lasting - Bolt support plate with brass bearing ensures lock will last!
- Adaptable - Latchbolt can be adjusted in length and set to left hand or right hand
- Auto-latching - Close the gate and the latchbolt latches into the gate frame. To open the gate - enter the code and turn the handle

BDGS SUPERLOCK MECHANICAL CODED GATE LOCKS - For 10 - 30 & 40-60mm box section

BDGS1030L	Superlock single sided digital keypad - 10-30mm box section - Left handed
BDGS1030R	Superlock single sided digital keypad - 10-30mm box section - Right handed
BDGS4060L	Superlock single sided digital keypad - 40-60mm box section - Left handed
BDGS4060R	Superlock single sided digital keypad - 40-60mm box section - Right handed
SPARES & ACCESSORIES	
BSKS	Security keep for Superlock with interlocking tab
BSK	Security keep for Superlock

TECHNICAL INFO:



Dimensions in: mm	GATEMASTER INDUSTRIAL GATE LOCKS
	SUPERLOCK BOLT-ON MECHANICAL CODED LOCK
	SLIM - 70MM CASE MEANS THIS LOCK CAN SUIT A VARIETY OF DIFFERENT GATE STYLES
	SECURE - LATCHBOLT PROJECTS UP TO 20MM INTO THE GATE POST WHICH INCREASES SECURITY AND GIVES MORE TOLERANCE
	ADAPTABLE - LATCHBOLT CAN BE ADJUSTED IN LENGTH AND SET TO LEFT HAND OR RIGHT HAND
	AUTO-LATCHING - CLOSE THE GATE AND THE LATCHBOLT LATCHES INTO THE GATE FRAME. TO OPEN THE GATE - ENTER THE CODE AND TURN THE HANDLE
	THIS LOCK HAS A KEYPADS ON ONE SIDE FREE EXIT LEVER ON THE OTHER





LOCINOX VINCI DOUBLE SIDED SWING MECHANICAL CODE GATE LOCK

High quality **surface mount** mechanical code lock with aluminium housing and stainless steel mechanism.

The Vinci requires no batteries or electricity which makes it very easy to equip any gate with access control. The **20mm** continuous adjustability of the bolts allows a perfect latching / locking mechanism.

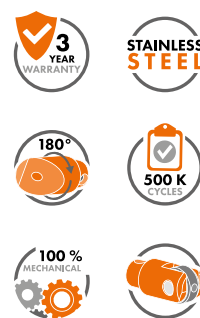
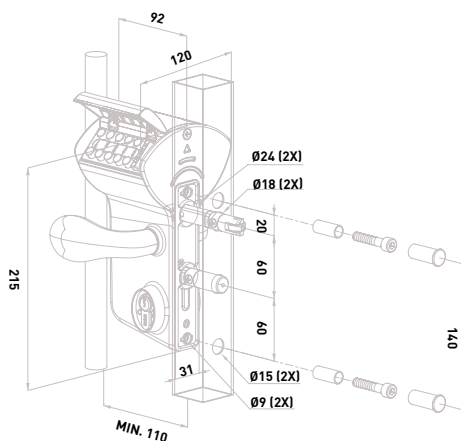
A solid stainless steel deadbolt with a **23mm** throw guarantees a secure lock. For a fast and highly precise installation.



VINCI SWING MECHANICAL CODE GATE LOCKS - 40mm box section

VINCI DOUBLE	LMKQ 4040 V2L ZILV VSZC - Silver - double sided mechanical code lock - for 40mm box section
VINCI DOUBLE BLACK	LMKQ 4040 V2L 9005 VSZC - Black - double sided mechanical code lock - for 40mm box section
SPARES & ACCESSORIES	
LOCICYL54	54mm keyed alike euro cylinder
3006C	Pair anodised aluminium handle - 60 x 8 x 8mm follower
3006I	Pair anodised aluminium handle - 65 x 8 x 8mm follower - anti-bump
3006D	Pair anodised aluminium handle - 60 x 8 x 8mm follower
SAKL9005QF2	Black adjustable keep - 40mm + box section
SHKL9005QF2K	Black adjustable security keep - 40-60mm box section
3006PUSH	Push handle set for free opening in aluminium
SHROUD-LA	Security shroud for surface mount locks - for use with free exit only

TECHNICAL INFO:



REGISTER FOR A TRADE ACCOUNT TODAY TO RECEIVE TRADE DISCOUNTS

Call us on **0113 201 6677** our friendly team are here to help.

Dimensions in: mm

LOCINOX LMKQ MECHANICAL CODE GATE LOCK

SPECIFICATION

- ISO 9227 KTL / E-COATED LOCK BOX WITHSTANDS 1000 HOURS OF SALT SPRAY TEST
- MECHANICAL CODE PANEL ON BOTH SIDES
- POSSIBILITY TO WORK WITH DIFFERENT ENTRANCE AND EXIT CODES
- POLYAMIDE RAIN AND DUST COVER
- EASY AND FAST SET-UP OR MODIFICATION OF THE ACCESS CODES
- WITH ADJUSTABLE ROLLERBOLT FOR EASY CLOSING
- EXTREMELY STRONG AND USER-FRIENDLY MECHANISM
- AUTOMATIC CODE RESET AFTER PUSHING THE HANDLE
- ANTI-CODE DETECTION WITH INTEGRATED SECURITY PRESS PLATE
- INTERCHANGEABLE WITH ALL LOCINOX LOCKS



**LOCINOX
FREE VINCI
SINGLE SIDED SWING
MECHANICAL CODE GATE LOCK**

Superb **surface mount** mechanical code lock with aluminium housing and stainless steel mechanism.

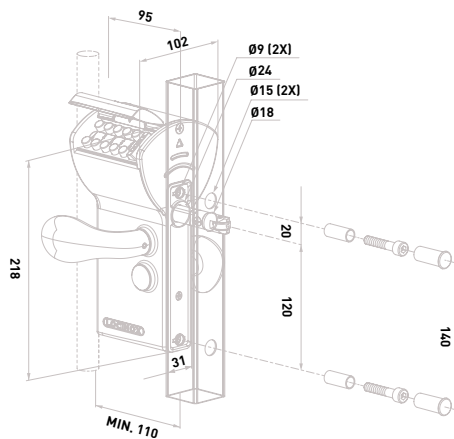
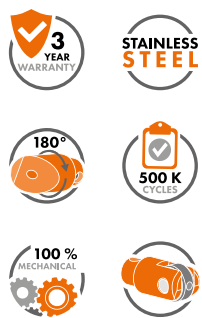
The Free Vinci offers you the possibility to secure one side with a code for the entrance while leaving the other side free for exit. No batteries nor electricity are required, which makes it very easy to equip any gate with access control. The **20mm** continuous adjustability of the bolt ensures a perfect latching / locking mechanism.

For ornamental and chain link gates. For a fast and highly precise installation

LFKQ VINCI SWING MECHANICAL CODE GATE LOCKS - 40mm box section

VINCI	LFKQ 4040 X1L ZILV CR - Silver - single mechanical code lock - free exit - for 40mm box section
VINCI BLACK	LFKQ 4040 X1L 9005 CR - Black - single mechanical code lock - free exit - for 40mm box section
SPARES & ACCESSORIES	
LOCICYL54	Spare 54mm keyed alike euro cylinder
PUSHBAR-L	Push bar in aluminium for surface mounted gate locks
3006PUSH	Push handle set in aluminium
SHROUD-LF	Security shroud for free exit mechanical lock
SHKL9005QF2K	Black adjustable keep - 40mm + box section
SHKL-QF	Black adjustable security keep - 40-60mm box section
3006PUSH	Push handle set for free opening in aluminium
SHROUD-LA	Security shroud for surface mount locks - for use with free exit only

TECHNICAL INFO:



OTHER BOX SECTION SIZES AVAILABLE.

Speak with our sales team for more information on 0113 201 6677 or email Info@rollingcenter.co.uk

Dimensions in: mm	LOCINOX LFKQ MECHANICAL GATE LOCK WITH FREE ENTRY
	SPECIFICATION
	ISO 9227 KTL / E-COATED LOCK BOX WITHSTANDS 1000 HOURS OF SALT SPRAY TEST
	ENTRANCE SECURED BY CODE, FREE EXIT
	CODE PANEL WITH STAINLESS STEEL PUSH BUTTONS ON ONE SIDE
	POLYAMIDE RAIN AND DUST COVER
	EASY AND FAST SET-UP OR MODIFICATION OF THE ACCESS CODE
	WITH ADJUSTABLE ROLLERBOLT FOR EASY CLOSING
	EXTREMELY STRONG AND USER-FRIENDLY MECHANISM
	AUTOMATIC CODE RESET AFTER PUSHING THE HANDLE
	ANTI-CODE DETECTION WITH INTEGRATED SECURITY PRESS PLATE
	INTERCHANGEABLE WITH ALL LOCINOX LOCKS

WE HAVE A FULL RANGE OF ACCESS CONTROL SOLUTIONS AVAILABLE AT COMPETITIVE PRICES

If you don't see what you're looking for call us on 0113 201 6677 or email Info@rollingcenter.co.uk



**LOCINOX
LEONARDO**
DOUBLE SIDED SLIDING
MECHANICAL CODE GATE LOCK

High quality **surface mount** mechanical code lock for sliding gates with aluminium housing and stainless steel mechanism.

Since no electricity nor batteries are required, the mechanical code lock gives you the opportunity to easily equip any sliding gate with access control.

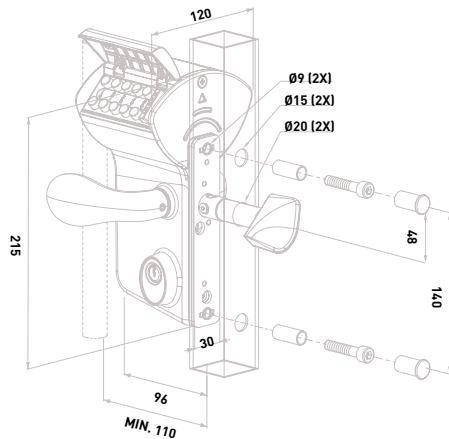
The unique Twistfinger and conforming auto-correcting keep guarantees a perfect closing of your sliding gate.



LEONARDO SLIDING MECHANICAL CODE GATE LOCKS - 40mm box section

LLKZ	LLKZ 4040 V2L Z1LV VSZC - Silver - double sided mechanical code lock - for 40mm box section
LLKZ 9005	LLKZ 4040 V2L 9005 VSZC - Black - double sided mechanical code lock - for 40mm box section
SPARES & ACCESSORIES	
LOCICYL54	Spare 54mm keyed alike euro cylinder
SSKZ-QF	Black adjustable keep
3006C	Pair anodised aluminium handle - 60 x 8 x 8mm follower

TECHNICAL INFO:



OTHER BOX SECTION SIZES AVAILABLE.

Speak with our sales team for more information on 0113 201 6677 or email Info@rollingcenter.co.uk

ROLLING CENTER CANTILEVER GATE KITS

Turn to page **216**

Dimensions in: mm	LOCINOX LLKZ SLIDING MECHANICAL CODE GATE LOCK SPECIFICATION
	100% MECHANICAL: NO BATTERY NOR ELECTRICITY REQUIRED
	ADJUSTABLE FOR HORIZONTAL OR VERTICAL MOUNTING OF THE KEEP (CATCH BOLT)
	MECHANICAL CODE PANEL ON BOTH SIDES
	POSSIBILITY TO WORK WITH DIFFERENT ENTRANCE AND EXIT CODES
	EQUIPPED WITH DUST AND RAIN COVERS
	EASY AND FAST SET-UP OR MODIFICATION OF THE ACCESS CODES
	POSSIBILITY OF SETTING UP 4 TO 6 DIGIT CODES
	EXTREMELY STRONG AND USER-FRIENDLY MECHANISM
	AUTOMATIC CODE RESET AFTER PUSHING THE HANDLE
	ANTI-CODE DETECTION WITH INTEGRATED SECURITY PRESS PLATE


**BORG
BL3100
SWING MECHANICAL
CODE GATE LOCK**

BL3100DKO ECP / BL3130DKO ECP Comes with a knob turn keypad or back to back keypads and anti-climb housing, with **key override**. This allows entry with a separate key and offers a deadbolt function as standard. With on the door code change method.

BL3100 ECP / BL3130 ECP Comes with a knob turn keypad or back to back keypads and anti-climb housing. With on the door code change method.

3100 MECHANICAL CODE GATE LOCK WITH 65 - 80MM LATCH & KEY OVERRIDE

BL3100 DKO ECP	Black marine grade - with keypad - inside paddle handle - knob turn - easy code reset
BL3130 DKO ECP	Black marine grade - back to back keypads - knob turn - easy code reset


3100 MECHANICAL CODE GATE LOCK WITH 65 - 80MM LATCH

BL3100 ECP	Black marine grade - with keypad - inside paddle handle - knob turn - easy code reset
BL3130 ECP	Black marine grade - back to back keypads - knob turn - easy code reset


**BORG
BL3400
SWING MECHANICAL
CODE GATE LOCK**

BL3400DKO ECP / BL3430DKO ECP Comes with a lever turn keypad or back to back keypads and anti-climb housing, with **key override**. This allows entry with a separate key and offers a deadbolt function as standard. With on the door code change method.

BL3400 ECP / BL3430 ECP Comes with a lever turn keypad or back to back keypads and anti-climb housing. With on the door code change method.

3400 MECHANICAL CODE GATE LOCK WITH 65 - 80MM LATCH & KEY OVERRIDE

BL3400 DKO ECP	Black marine grade - with keypad - inside lever handle - easy code reset
BL3430 DKO ECP	Black marine grade - back to back keypads - lever turn handles - easy code reset


3400 MECHANICAL CODE GATE LOCK WITH 65 - 80MM LATCH

BL3400 ECP	Black marine grade - with keypad - inside lever handle - easy code reset
BL3430 ECP	Black marine grade - back to back keypads - lever turn handles - easy code reset

FOR SWING GATE HINGES

See page **180** for details



**BORG
BL2021**
SWING MECHANICAL
CODE GATE LOCK FOR
INTERNAL DOORS

BL2021 / BL2021 ECP Comes with back to back keypads and 60mm anti-thrust tubular latch with thumb turn handles and on the door code change method. Satin chrome finish.



2021 MECHANICAL CODE GATE LOCKS WITH 60MM TUBULAR LATCH

BL2021	Satin chrome finish - back to back keypads - thumb turn handle
BL2021 ECP	Satin chrome finish - back to back keypads - thumb turn handle - easy code reset

**BORG
BL2201**
SWING MECHANICAL
CODE GATE LOCK FOR
INTERNAL DOORS

BL2201 / BL2201 ECP Comes with keypad with thumb turn handles and inside lever handle, 60mm anti-thrust tubular latch with holdback function and on the door code change method. Satin chrome finish.



2021 MECHANICAL CODE GATE LOCKS WITH 60MM TUBULAR LATCH & HOLDBACK FUNCTION

BL2201	Satin chrome finish - with keypad - thumb turn handle - inside lever handle
BL2201 ECP	Satin chrome finish - with keypad - thumb turn handle - inside lever handle - easy code reset

**BORG
BL2001**
SWING MECHANICAL
CODE GATE LOCK FOR
INTERNAL DOORS

BL2001 / BL2001 ECP Comes with keypad with thumb turn handles and inside lever handle, 60mm anti-thrust tubular latch and on the door code change method. Satin chrome finish.



2001 MECHANICAL CODE GATE LOCKS WITH TUBULAR LATCH - 60mm latch

BL2001	Satin chrome finish - with keypad - thumb turn handle - inside lever handle
BL2001 ECP	Satin chrome finish - with keypad - thumb turn handle - inside lever handle - easy code reset

**BORG
BL2621**
SWING MECHANICAL
CODE GATE LOCK FOR
EXTERNAL DOORS

BL2621 / BL2621 ECP Comes with back to back keypads and 60mm anti-thrust tubular latch with knurled thumb turn handles and on the door code change method. Marine grade black finish.



2621 MECHANICAL CODE GATE LOCKS WITH 60MM TUBULAR LATCH

BL2621	Black marine grade - back to back keypads - knurled thumb turn handle
BL2621 ECP	Black marine grade - back to back keypads - knurled thumb turn handle - easy code reset


5400 MECHANICAL CODE GATE LOCKS WITH NO LATCH MECHANISM

BL5400	Satin chrome finish - with keypad - flat bar handles - no latch mechanism
BL5400 ECP	Satin chrome finish - with keypad - flat bar handles - no latch mechanism - easy code reset

**BORG
BL5400**
SWING MECHANICAL
CODE GATE LOCK FOR
INTERNAL & EXTERNAL
DOORS

BL5400 / BL5400 ECP Comes with a keypad with flat bar handles on both sides, no latch mechanism with on the door code change method. Satin chrome finish.


5402 MECHANICAL CODE GATE LOCKS WITH 28MM ALUMINIUM LATCH

BL5402	Satin chrome finish - with keypad - flat bar handles
BL5402 ECP	Satin chrome finish - with keypad - flat bar handles - easy code reset

**BORG
BL5402**
SWING MECHANICAL
CODE GATE LOCK FOR
INTERNAL & EXTERNAL
DOORS

BL5402 / BL5402 ECP Comes with a keypad with flat bar handles on both sides, a 28mm latch mechanism with on the door code change method. Satin chrome finish.


5403 MECHANICAL CODE GATE LOCKS WITH 60 X 72MM MORTICE LOCK

BL5403	Satin chrome finish - with keypad - flat bar handles
BL5403 ECP	Satin chrome finish - with keypad - flat bar handles - easy code reset

**BORG
BL5403**
SWING MECHANICAL
CODE GATE LOCK FOR
INTERNAL & EXTERNAL
DOORS

BL5403 / BL5403 ECP Comes with a keypad with flat bar handles on both sides, a 60x72mm mortice lock with on the door code change method. Satin chrome finish.


5408 MECHANICAL CODE GATE LOCKS WITH PUSH PAD

BL5408	Satin chrome finish - with keypad - flat bar handle - push pad
BL5408 ECP	Satin chrome finish - with keypad - flat bar handle - push pad - easy code reset

**BORG
BL5408**
SWING MECHANICAL
CODE GATE LOCK FOR
INTERNAL & EXTERNAL
DOORS

BL5408 / BL5408 ECP Comes with a keypad with flat bar handle and a push pad release with on the door code change method. Satin chrome finish.



**LOCINOX
LOKQ
BATTERY POWERED
CODED SWING GATE LOCK**

This lock comes as a double sided code lock but with a simple adjustment the lock can be used as a single sided code lock with free exit.

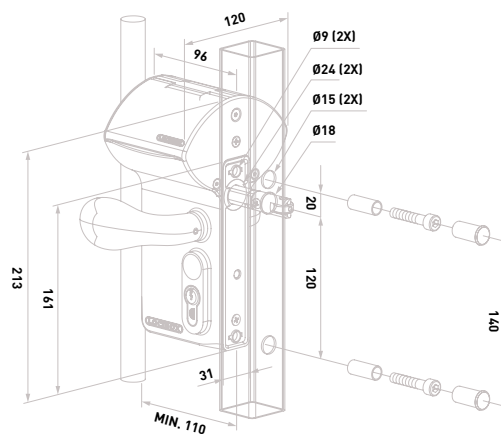
Valentino's energy efficient design makes it very easy to equip any gate with access control with a minimal need for maintenance. Pincodes can be easily added, modified or removed. The 20 mm continuous adjustability of the bolts allows a perfect latching / locking of the mechanism.



BATTERY POWERED ELECTRONIC SWING GATE CODE LOCKS - 40 - 60mm box section

LOKQ 40 Y2L VCAC 9005	Black - aluminium handles - 40mm box section - 54mm barrel
LOKQ 40 Y2L VCAC ZILV	Silver - aluminium handles - 50mm box section - 54mm barrel
SPARES & ACCESSORIES	
3006PUSH	Push pad handle set
3006C	Pair silver club handle - 60 x 10 x 10mm follower
SFKM	Gate keep

TECHNICAL INFO:



**NEED ASSISTANCE?
CONTACT OUR
TECHNICAL TEAM?**

Call us on
0113 201 6677 or email
Info@rollingcenter.co.uk

LOCINOX LOKQ BATTERY POWERED GATE LOCK
SPECIFICATION
ISO 9227 KTL / E-COATED LOCK BOX WITHSTANDS 1000 HOURS OF SALT SPRAY TEST
WEATHER PROTECTED ILLUMINATED ELECTRONIC CODE PANEL ON BOTH SIDES
EXTREMELY STRONG AND VANDAL PROOF DESIGN
ENERGY EFFICIENT, WITH UP TO 150,000 OPEN/CLOSE CYCLES ON SAME SET OF BATTERIES
OPERATES ON BATTERIES, BATTERY PACK INCLUDED
EASY AND FAST SET-UP OR MODIFICATION OF THE ACCESS CODES
SUPPORTS PERMANENTLY OPEN CODES
DIFFERENT ENTRANCE AND EXIT CODES POSSIBLE



A large area of the page is filled with horizontal dashed lines, providing a template for handwritten notes.



ROLLING CENTER SL-180 SURFACE MOUNT INTERNAL MAGNETIC GATE LOCK

The **SL-180** is a surface mount **internal** maglock with a holding force of up to **180kg**.

Fail safe (power to lock) electromagnetic lock suitable for internal doors. Anti-rust surface enhancement for additional durability.

For use with any access control products with built-in surge absorber to prevent any interference to the reader. Low power consumption with high efficiency, noise free.



MAGNETIC GATE LOCKS - Holding force 150kg

SL-180	Magnetic lock - 12-24vdc - internal use
SPARES & ACCESSORIES	
BR-180/AL	L-bracket for armature only
BR-180/BL	L-bracket for lock only
12V 1A PSU	12vdc 1a inline encapsulated power supply unit - thermal overload protected
RELAY	Very handy little relay - universal relay - 12-24v ac/dc - double pole

ROLLING CENTER SL-180 MAGLOCK	
ELECTRICAL DATA	
LOCK STATUS SENSOR	C, NO OUTPUT 0.25MA (READ SWITCH)
POWER SUPPLY	12/24VDC
OPERATING CURRENT	380mA @ 12VDC - 190mA @ 24VDC
DIMENSIONAL & GENERAL DATA	
PROTECTION LEVEL	INTERNAL USE ONLY
WORKING TEMP (°C MIN/MAX)	-5 - +40
DIMENSIONS LOCK (MM)	164.5 X 40.2 X 22.5
DIMENSIONS ARMATUER PLATE (MM)	140 X 32 X 10.5



ROLLING CENTER GL-200 SURFACE MOUNT EXTERNAL MAGNETIC GATE LOCK

The **GL-200** is a surface mount **external** maglock with a holding force of up to **250kg**.

Fail safe (power to lock) electromagnetic lock suitable for external swing out / in doors. Anti-rust surface enhancement for additional durability.

For use with any access control products with built-in surge absorber to prevent any interference to the reader. Low power consumption with high efficiency, noise free with instant demagnetiser when power is off.



MAGNETIC GATE LOCKS - Holding force 250kg

GL-200	Magnetic lock - 12-24vdc - external use
SPARES & ACCESSORIES	
BR-200GL	L-bracket for sliding configuration
BR-200GZ	Z & L-bracket for swing configuration
12V 1A PSU	12vdc 1a inline encapsulated power supply unit - thermal overload protected
RELAY	Very handy little relay - universal relay - 12-24v ac/dc - double pole

ROLLING CENTER GL-200 MAGLOCK	
ELECTRICAL DATA	
LOCK STATUS SENSOR	C, NC OUTPUT 0.25MA (READ SWITCH)
POWER SUPPLY	12/24VDC
OPERATING CURRENT	420mA @ 12VDC / 210mA @ 24VDC
DIMENSIONAL & GENERAL DATA	
PROTECTION LEVEL	IP67
WORKING TEMP (°C MIN/MAX)	-10 - +70
DIMENSIONS LOCK (MM)	210 X 42 X 28.5
DIMENSIONS ARMATUER PLATE (MM)	185 X 38 X 12



MAGNETIC GATE LOCKS - Holding force 544kg

GL-220	Magnetic lock - 12-24vdc - external use
SPARES & ACCESSORIES	
BR-220GL	L-bracket for sliding configuration
BR-220GZ	Z & L-bracket for swing configuration
12V 1A PSU	12vdc 1a inline encapsulated power supply unit - thermal overload protected
RELAY	Very handy little relay - universal relay - 12-24v ac/dc - double pole

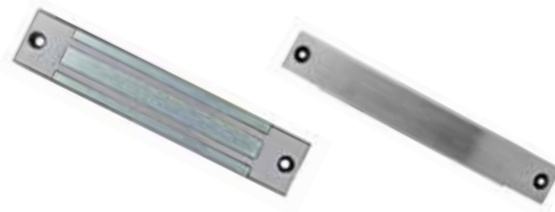
ROLLING CENTER GL-220 MAGLOCK	
GL-220	
ELECTRICAL DATA	
LOCK STATUS SENSOR	C, NO OUTPUT 0.25MA (READ SWITCH)
POWER SUPPLY	12/24VDC
OPERATING CURRENT	460mA @ 12VDC - 260mA @ 24VDC
DIMENSIONAL & GENERAL DATA	
PROTECTION LEVEL	IP67
WORKING TEMP (°C MIN/MAX)	-10 - +70
DIMENSIONS LOCK (MM)	240 X 63.5 X 43
DIMENSIONS ARMATUER PLATE (MM)	185 X 61 X 16

**ROLLING CENTER
GL-220
SURFACE MOUNT EXTERNAL
MAGNETIC GATE LOCK**

The **GL-220** is a surface mount **external** maglock with a holding force of up to **544kg**.

Fail safe (power to lock) electromagnetic lock suitable for internal doors. Anti-rust surface enhancement for additional durability.

For use with any access control with built-in surge absorber to prevent any interference to the reader. Low power consumption with high efficiency, noise free.



MAGNETIC GATE LOCKS - Holding force 180kg

i180SR	Surface magnetic lock - 12-24vdc - monitored - external use
SPARES & ACCESSORIES	
12V 1A PSU	12vdc 1a inline encapsulated power supply unit - thermal overload protected
RELAY	Very handy little relay - universal relay - 12-24v ac/dc - double pole

CDVI i180SR MAGLOCK	
i180SR	
ELECTRICAL DATA	
LOCK STATUS SENSOR	C, NO, NC
POWER SUPPLY	12/24VDC
OPERATING CURRENT	550mA @ 12VDC - 275mA @ 24VDC
DIMENSIONAL & GENERAL DATA	
PROTECTION LEVEL	IP54
WORKING TEMP (°C MIN/MAX)	-40 - +60
DIMENSIONS LOCK (MM)	175 X 33 X 24

**CDVI
i180SR
SURFACE MOUNT EXTERNAL
MAGNETIC GATE LOCK**

The **i180SR** is a monitored surface mount **external** maglock with a holding force of up to **180kg**.

It is part of the range of external electromagnetic locks from CDVI offering high performance flexible locking solutions in the most harsh environments.

**NEED ACCESS
CONTROL
SOLUTIONS?**

See page **83** for details



CDVI i400SR SURFACE MOUNT EXTERNAL MAGNETIC GATE LOCK

The **i400SR** is a monitored surface mount **external** maglock with a holding force of up to **400kg**.

It is part of the range of external electromagnetic locks from CDVI offering high performance flexible locking solutions in the most harsh environments.



SURFACE MOUNT MAGNETIC GATE LOCKS - Holding force 400kg

i400SR	Surface magnetic lock - 12-24vdc - monitored - external use
SPARES & ACCESSORIES	
ESL-400	L-bracket for sliding configuration
ES-Z	Z & L-bracket for swing configuration
12V 1A PSU	12v dc 1a inline encapsulated power supply unit - thermal overload protected
RELAY	Very handy little relay - universal relay - 12-24v ac/dc - double pole

CDVI i400SR MAGLOCK	
ELECTRICAL DATA	i400SR
LOCK STATUS SENSOR	C, NO, NC
POWER SUPPLY	12/24VDC
OPERATING CURRENT	550mA @ 12VDC - 275mA @ 24VDC
DIMENSIONAL & GENERAL DATA	
PROTECTION LEVEL	IP54
WORKING TEMP (°C MIN/MAX)	-40 - +60
DIMENSIONS LOCK (MM)	230 X 43 X 30



CDVI i500SR SURFACE MOUNT EXTERNAL MAGNETIC GATE LOCK

The **i500SR** is a monitored surface mount **external** maglock with a holding force of up to **500kg**.

It is part of the range of external electromagnetic locks from CDVI offering high performance flexible locking solutions in the most harsh environments.



SURFACE MOUNT MAGNETIC GATE LOCKS - Holding force 500kg

i500SR	Surface magnetic lock - 12-24vdc - monitored - external use
SPARES & ACCESSORIES	
ESL-500	L-bracket for sliding configuration
ES-Z	Z & L-bracket for swing configuration
12V 1A PSU	12v dc 1a inline encapsulated power supply unit - thermal overload protected
RELAY	Very handy little relay - universal relay - 12-24v ac/dc - double pole

CDVI i500SR MAGLOCK	
ELECTRICAL DATA	i500SR
LOCK STATUS SENSOR	C, NO, NC
POWER SUPPLY	12/24VDC
OPERATING CURRENT	550mA @ 12VDC - 275mA @ 24VDC
DIMENSIONAL & GENERAL DATA	
PROTECTION LEVEL	IP54
WORKING TEMP (°C MIN/MAX)	-40 - +60
DIMENSIONS LOCK (MM)	230 X 61 X 40



FLUSH MOUNT MAGNETIC GATE LOCKS - Holding force 300kg

V3ER	Mortice magnetic lock - 12-24vdc - 12-24vdc - monitored - internal use
SPARES & ACCESSORIES	
12V 1A PSU	12vdc 1a inline encapsulated power supply unit - thermal overload protected
VHLR	Very handy little relay - universal relay - 12-24v ac/dc - double pole

CDVI V3ER MAGLOCK	
ELECTRICAL DATA	
V3ER	
LOCK STATUS SENSOR	C, NO, NC
POWER SUPPLY	12/24VDC
OPERATING CURRENT	550mA @ 12VDC / 275mA @ 24VDC
DIMENSIONAL & GENERAL DATA	
PROTECTION LEVEL	IP42
WORKING TEMP (°C MIN/MAX)	-40 - +60
DIMENSIONS LOCK (MM)	228 X 39 X 27



CDVI V3ER FLUSH MOUNT INTERNAL MORTICE MAGNETIC GATE LOCK

The **internal** range of mortice magnets from CDVI offers high performance in many different environments.

The **V3ER** is a popular mortice magnetic lock with a holding force of **300kg**. It is used within the B0-Series of profiled housings and transoms.

Thanks to its multi-fix features and its slimmer profile, it is ideal for many applications including installation at point of door manufacture.

The unit is 12/24Vdc selectable, and includes lock status monitoring as a standard.



FLUSH MOUNT MAGNETIC GATE LOCKS - Holding force 400kg

V4ER	Mortice magnetic lock - 12-24vdc - 12-24vdc - monitored - internal use
SPARES & ACCESSORIES	
12V 1A PSU	12v dc 1a inline encapsulated power supply unit - thermal overload protected
RELAY	Very handy little relay - universal relay - 12-24v ac/dc - double pole

CDVI V4ER MAGLOCK	
ELECTRICAL DATA	
V4ER	
LOCK STATUS SENSOR	C, NO, NC
POWER SUPPLY	12/24VDC
OPERATING CURRENT	550mA @ 12VDC - 275mA @ 24VDC
DIMENSIONAL & GENERAL DATA	
PROTECTION LEVEL	IP42
WORKING TEMP (°C MIN/MAX)	-40 - +60
DIMENSIONS LOCK (MM)	228 X 44 X 29.5



CDVI V4ER FLUSH MOUNT INTERNAL MORTICE MAGNETIC GATE LOCK

The **internal** range of mortice magnets from CDVI offers high performance in many different environments.

The **V4ER** is a popular mortice magnetic lock with a holding force of **400kg**. It is used within the B0-Series of profiled housings and transoms.

Thanks to its multi-fix features and its slimmer profile, it is ideal for many applications including installation at point of door manufacture.

The unit is 12/24Vdc selectable, and includes lock status monitoring as a standard.



LOCINOX MAG SURFACE MOUNTED MAGNETIC GATE LOCK

Screw-on electromagnetic lock for access control. Available in 2 versions. **MAG3000** with **300 kg** and **MAG6000** with **600 kg** holding force.

The aluminium powder coated housing with integrated design handles gives your access control gate that extra touch.

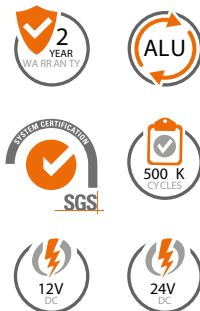
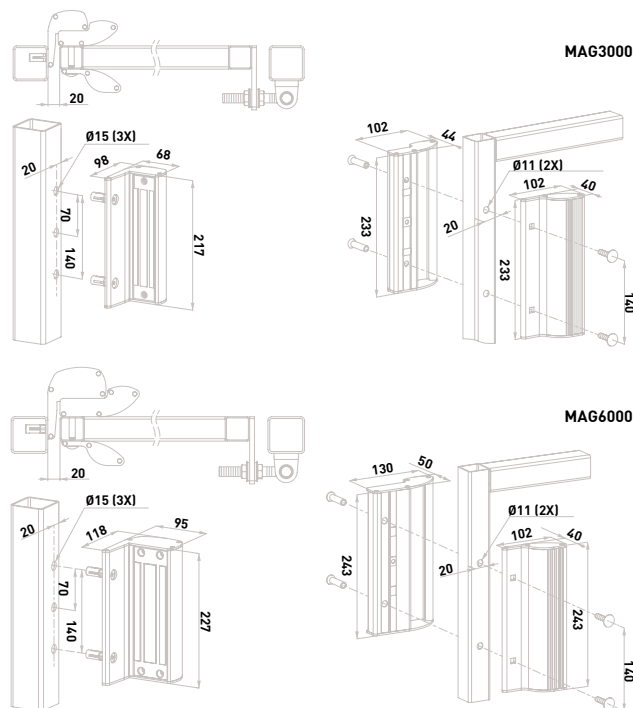
Stop losing precious time with welding boxes; drilling 7 holes does the job. The Quick-Fix enables a fast and strong fixing. A two layer, protective coating guarantees that our electromagnetic locks are ready for years of worry-free use outside.



MAGNETIC GATE LOCKS - With integrated handles, pulling force 300 - 600kg

MAG3000-ZILV	Silver - 300kg - 12-24v dc - for box section 40 - 80mm - with handles
MAG3000-9005	Black - 300kg - 12-24v dc - for box section 40 - 80mm - with handles
MAG6000-ZILV	Silver - 600kg - 12-24v dc - for box section 40 - 80mm - with handles
MAG6000-9005	Black - 600kg - 12-24v dc - for box section 40 - 80mm - with handles
SPARES & ACCESSORIES	
DC-POWER	24v 25w Locinox PSU
12V 1A PSU	12v dc 1a inline encapsulated power supply unit - thermal overload protected
RELAY	Very handy little relay - universal relay - 12-24v ac/dc - double pole

TECHNICAL INFO:



**VIDEX
STANDALONE
DIGITAL
KEYPAD**

Turn to page **84**

LOCINOX MAG 3000 / 6000 MAGNETIC GATE LOCK	
ELECTRICAL DATA	
POWER SUPPLY	12/24VDC
OPERATING CURRENT	(3000) 500mA @ 12VDC - 250mA @ 24VDC (6000) 460mA @ 12VDC - 230mA @ 24VDC
DIMENSIONAL & GENERAL DATA	
HOLDING FORCE (KG)	300 / 600
PROTECTION LEVEL	IP42
DEMAGNETISER	FAIL SAFE
WORKING TEMP (°C MIN/MAX)	-40 - +60



MAGNETIC GATE LOCKS - Without integrated handles, pulling force 300 - 600kg

MAGMAG3000-ZILV	Silver - 300kg - 12-24v dc - for box section 40 - 80mm - without handles
MAGMAG3000-9005	Black - 300kg - 12-24v dc - for box section 40 - 80mm - without handles
MAGMAG6000-ZILV	Silver - 600kg - 12-24v dc - for box section 40 - 80mm - without handles
MAGMAG6000-9005	Black - 600kg - 12-24v dc - for box section 40 - 80mm - without handles

SPARES & ACCESSORIES

DC-POWER	24v 25w locinox PSU
12V 1A PSU	12v dc 1a inline encapsulated power supply unit - thermal overload protected
RELAY	Very handy little relay - universal relay - 12-24v ac/dc - double pole

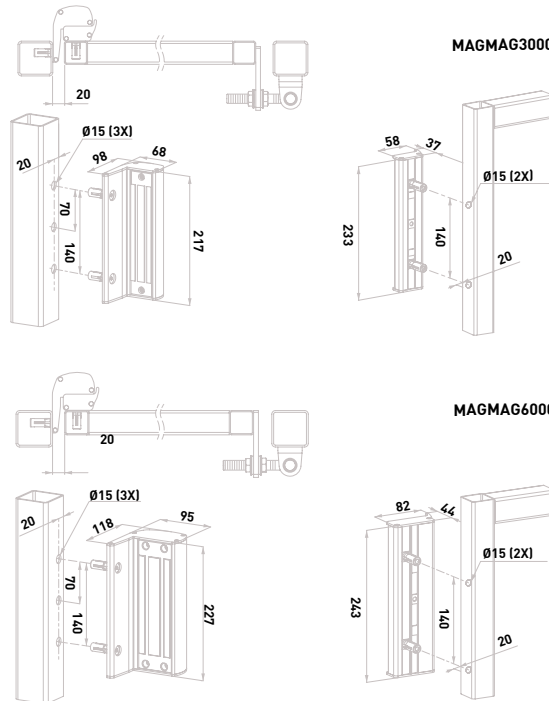
**LOCINOX
MAG MAG
SURFACE MOUNTED
MAGNETIC GATE LOCK**

Screw-on electromagnetic lock for access control. Available in 2 versions. **MAGMAG3000** with **300 kg** and **MAGMAG6000** with **600 kg** holding force.

The aluminium powder coated housing equipped with the unique Quick-Fix fixations ensures a fast and nicely finished mounting.

Eliminate time-consuming welding; drilling 5 holes is enough to fix the lock. A two layer, protective coating guarantees that our electromagnetic locks are ready for years of worry free use outside.

TECHNICAL INFO:



Dimensions in: mm		LOCINOX MAGMAG 3000 / 6000 MAGNETIC GATE LOCK
ELECTRICAL DATA		MAG MAG 3000/6000
POWER SUPPLY		12/24VDC
OPERATING CURRENT		(3000) 500mA @ 12VDC - 250mA @ 12VDC (6000) 460mA @ 12VDC - 230mA @ 24VDC
DIMENSIONAL & GENERAL DATA		
HOLDING FORCE (KG)		300 / 600
PROTECTION LEVEL		IP42
DEMAGNETISER		FAIL SAFE
WORKING TEMP (°C MIN/MAX)		-40 - +60

**CLICK & COLLECT
START SAVING
TODAY**

**- REGISTER ONLINE
- PLACE AN ORDER
- COLLECT**

Visit
www.rollingcenter.co.uk



CISA ELECTRIKA GATE LOCK

Cisa Electrika 12V AC Lock is suitable for any type of door or gate. Innovative locking system, with a rotary hook deadbolt with a pull resistance of up to **2000Kg**. The protective steel case totally encloses the lock and striker providing resistance and protection. Fitted with a self-adjusting swinging-rod active both vertically and horizontally.



ELECTRIC LOCK - Surface mount 12vac

CISA ELECTRIKA	Electric dead lock - 12vac - with key release - pulling force 2000kg
SPARES & ACCESSORIES	
CA1R	12/24 vac transformer



NICE PLA10 VERTICAL GATE LOCK

PLA10 12V vertical electric lock. Specially designed for installation on manual or automatic outside outward opening doors and drive-through gates. This type of opening is necessary when the door/gate is situated on a slope or when safety regulations foresee an outward-opening escape route in the event of an emergency.



VERTICAL GATE LOCK - Surface mount 12vac

PLA10	Surface mount - 12vac - with key release - vertical type
SPARES & ACCESSORIES	
CA1R	12/24 vac transformer



NICE PLA11 HORIZONTAL GATE LOCK

PLA11 12V horizontal electric lock. Specially designed for installation on manual or automatic outside outward opening doors and drive-through gates. This type of opening is necessary when the door/gate is situated on a slope or when safety regulations foresee an outward-opening escape route in the event of an emergency.



HORIZONTAL GATE LOCK - Surface mount 12vac

PLA11	Surface mount - 12vac - with key release - horizontal type
SPARES & ACCESSORIES	
CA1R	12/24 vac transformer



**LOCINOX
ELECTRADROP 7 WIRE
MOTORISED ELECTRIC
DROP BOLT**

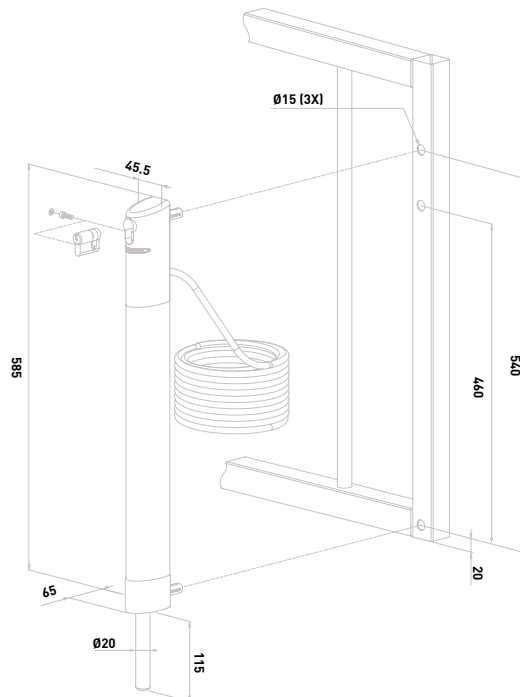
Electric 24Vdc drop bolt with **115mm** throw for safe locking of automated swing gates. With bolt position detection fail close function

By securing your gate with an Electradrop you dis-burden the electric gate motors.

MOTORISED ELECTRIC DROP BOLT 7 WIRE - With sensor fail close

ELECTRADROP-E-P-ZILV	Silver - electric drop bolt - 24vdc - 115mm throw - vandal proof - manual key release - fail close
ELECTRADROP-E-P-9005	Black - electric drop bolt - 24vdc - 115mm throw - vandal proof - manual key release - fail close
SPARES & ACCESSORIES	
SABO	Bolt-on off centre ground stop for drop bolts - maximum axle of Ø20mm
OGS	Off centre ground stop - strong ground stop for double leaves
POWERSTONE-24V-60W	24v 60 watt switching power supply unit
3012-37-STD-GSZ	37mm keyed alike half cylinder

TECHNICAL INFO:



**LOCINOX
ELECTRADROP KIT
INCLUDING
POWER SUPPLY
& GROUND STOP
AVAILABLE**

Speak with our sales team for more information on 0113 201 6677 or email Info@rollingcenter.co.uk

**VIDEX 4G GSM
INTERCOM WITH
KEYPAD**

Turn to page **130**

Dimensions in: mm	LOCINOX ELECTRADROP ELECTRIC DROP BOLT
	SPECIFICATION
	VANDAL-PROOF, POWDER COATED ALUMINIUM HOUSING
	TO BE CONNECTED TO THE WARNING LIGHT ON AUTOMATED GATES (MIN 3 SEC PREWARNING SIGNAL) OR DIRECTLY ON THE GATE AUTOMATION
	MECHANICAL RELEASE POSSIBLE (BY KEY) IN CASE OF EMERGENCY
	THE INTEGRATED OBSTACLE DETECTION WILL AUTOMATICALLY STOP THE DROP BOLT MOVEMENT IN CASE OF OVERPRESSURE TO AVOID INJURIES.
	CONSUMPTION: 25 W / STANDBY: 0,2 W
	5 M CABLE INCLUDED - INCLUDED: 3012-37-STD CYLINDER
	TO CONNECT TO A LOCINOX POWERSTONE-24V-60W POWER SUPPLY



LOCINOX ELECTRADROP-E MOTORISED ELECTRIC DROP BOLT, FAIL CLOSE

Electric 24Vdc drop bolt with **115mm** throw for safe locking of automated swing gates. With fail close function

By securing your gate with an Electradrop you dis-burden the electric gate motors.



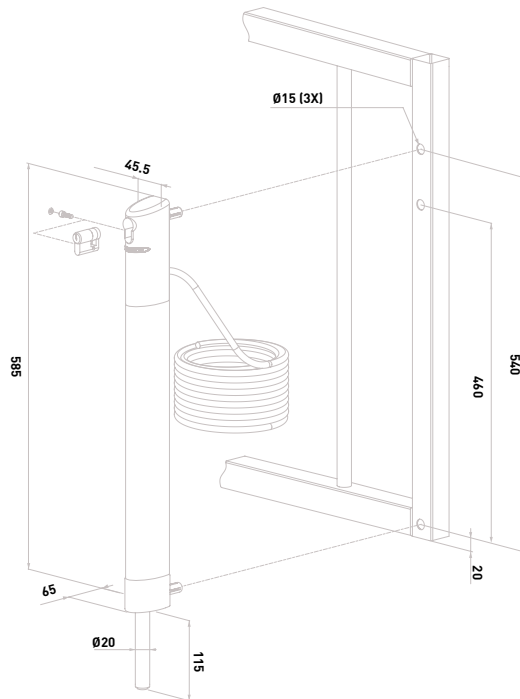
MOTORISED ELECTRIC DROP BOLT - Fail close

ELECTRADROP-E-ZILV	Silver - electric drop bolt - 24vdc - 115mm throw - vandal proof - manual key release - fail close
ELECTRADROP-E-9005	Black - electric drop bolt - 24vdc - 115mm throw - vandal proof - manual key release - fail close

SPARES & ACCESSORIES

SABO	Bolt-on off centre ground stop for drop bolts - maximum axle of Ø20mm
OGS	Off centre ground stop - strong ground stop for double leaves
POWERSTONE-24V-60W	24v 60 watt switching power supply unit
3012-37-STD-GSZ	37mm keyed alike half cylinder

TECHNICAL INFO:



CAN'T SEE WHAT YOU'RE LOOKING FOR?

Our friendly team are here to help.
Call us on **0113 201 6677** or email **Info@rollingcenter.co.uk**

LOCINOX ELECTRADROP ELECTRIC DROP BOLT SPECIFICATION
VANDAL-PROOF, POWDER COATED ALUMINIUM HOUSING
TO BE CONNECTED TO THE WARNING LIGHT ON AUTOMATED GATES (MIN 3 SEC PREWARNING SIGNAL) OR DIRECTLY ON THE GATE AUTOMATION
MECHANICAL RELEASE POSSIBLE (BY KEY) IN CASE OF EMERGENCY
THE INTEGRATED OBSTACLE DETECTION WILL AUTOMATICALLY STOP THE DROP BOLT MOVEMENT IN CASE OF OVERPRESSURE TO AVOID INJURIES.
CONSUMPTION: 25 W / STANDBY: 0,2 W
5 M CABLE INCLUDED - INCLUDED: 3012-37-STD CYLINDER
TO CONNECT TO A LOCINOX POWERSTONE-24V-60W POWER SUPPLY



A large area of the page is filled with horizontal dashed lines, providing a template for handwritten notes.



LOCINOX KEYDROP MANUAL LOCKABLE DROP BOLT

The **Keydrop** is a lockable drop bolt, that can be locked in both the open and closed position. Available in 3 RAL colours this drop bolt is ideal for retro fitting to gate profiles of 40mm or more.

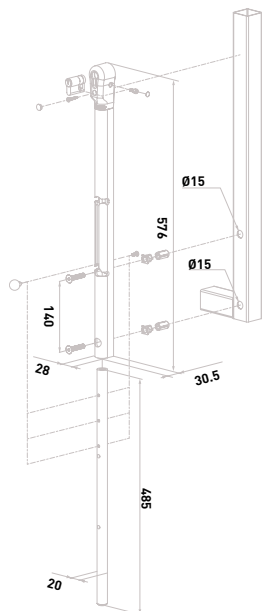
Looking to upgrade your drop bolt? This unit has the same drilling pattern as the **VSA** and **VSF** versions of drop bolt.



MANUAL LOCKABLE DROP BOLT

KEYDROP	Silver - lockable drop bolt - 140mm throw - for 40mm box section
KEYDROPBLACK	Black 9005 - lockable drop bolt - 140mm throw - for 40mm box section
KEYDROPGREY	Grey 7016- lockable drop bolt - 140mm throw - for 40mm box section
SPARES & ACCESSORIES	
OGS	Off centre ground stop - strong ground stop for double leaves
SABO	Bolt-on off centre ground stop for drop bolts - maximum axle of Ø20mm
3012-37-STD-GSZ	37mm keyed alike half cylinder

TECHNICAL INFO:



**LOOKING FOR
SWING GATE
HARDWARE
EQUIPMENT?**

Visit
www.rollingcenter.co.uk
or call **0113 201 6677** for
more information.

Dimensions in: mm

LOCINOX KEYDROP MANUAL DROP BOLT

SPECIFICATION

THROW: 140 MM

LOCKABLE DROP BOLT WITH CYLINDER

SAME DRILLING PATTERN AS VSF AND VSA

POSSIBILITY TO WORK WITH SAME KEY AS GATE LOCK

HEIGHT ADJUSTABILITY OF THE DROP BOLT: 100 MM - HEIGHT ADJUSTABILITY IN 3 POSITIONS: 50 MM /POSITION

THE GATE CAN BE LOCKED IN OPEN OR CLOSED POSITION

FOR GATE PROFILES 40X40 MM OR MORE



**LOCINOX
VSF / VSA
SURFACE MOUNTED
MANUAL DROP BOLT**

The Locinox **VSF/VSA** is a manual drop bolt, ideal when looking to add an additional locking mechanism to your gate.

The **VSF** has a **140mm** throw and **100mm** height adjustability, for gate profiles for **40x40mm** plus. This drop bolt has an aluminium casing and a hot dip galvanised bolt.

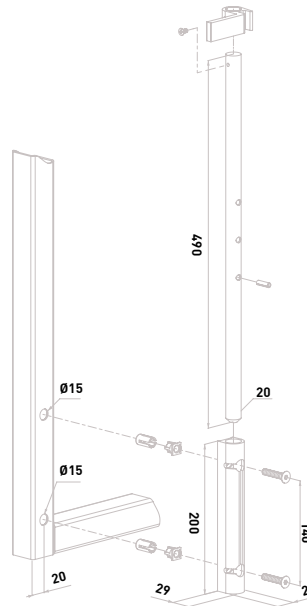
The **VSA** has a **140mm** throw and **100mm** height adjustability, for gate profiles for **40x40mm** plus. This drop bolt has an aluminium casing and a bolt.

Fixed using the Quick-Fix expanding bolts the drop bolt is auto-locked between the gates after closing.

SURFACE MOUNTED MANUAL DROP BOLT

VSA K QF1BL ZILV	Silver - 140mm throw - 40mm box section - aluminium pin
VSA K QF1BL 9005	Black - 140mm throw - 40mm box section - aluminium pin
VSA K QF1BL 7016	Anthracite - 140mm throw - 40mm box section - aluminium pin
VSF	Silver - 40mm throw - 40mm box section - hot-dip pin
VSF BLACK	Black 9005 - 140mm throw - 40mm box section - hot-dip pin
VSF GREY	Anthracite 7016 - 140mm throw - 40mm box section - hot-dip pin
SPARES & ACCESSORIES	
OGS	Off centre ground stop - strong ground stop for double leaves
SABO	Bolt-on off centre ground stop for drop bolts - maximum axle of Ø20mm
EGS	Economic ground catcher for drop bolts - maximum axle of Ø20mm

TECHNICAL INFO:



Dimensions in: mm	LOCINOX VSF & VSA SURFACE MOUNTED DROP BOLT
	SPECIFICATION
	TYPE VSF: HOT-DIP GALVANIZED PIN
	TYPE VSA: ALUMINIUM PIN
	WITH ALUMINIUM HEAD BLOCK
	FOR PROFILES AS OF 40 MM OR MORE
	HEIGHT ADJUSTABILITY OF THE DROP BOLT: 100 MM - THROW: 140 MM
	LOCKS ITSELF BETWEEN THE WINGS OF THE GATE
	FAST AND EASY FIXING WITH QUICK-FIX - EASY TO RETROFIT

**NEED PRE OR POST
SALES TECHNICAL
SUPPORT?
OUR FRIENDLY
TEAM ARE HERE TO
HELP**

Call us on
0113 201 6677 or email
Info@rollingcenter.co.uk



AES CENTURION HEAVY DUTY SOLENOID ELECTRIC BOLT

The **Centurion** lock is a heavy duty device, designed to secure double swing gates. This device is normally installed on the second leaf, and is used in conjunction with a mechanical stop. This secures both leaves against the stop.

This lock requires **24vdc** to retract it and hold it in position when the gates are moving. Once it is de energised, it will extend to the locked position again via a spring return mechanism.

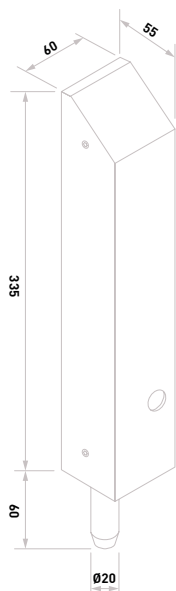
Most gate control panels have a permanent voltage output on the flashing beacon terminals when the beacon is active (flashing is handled internally by the beacon). Use this permanent supply signal as a means of switching on power to the lock through a relay during the gate stroke.



HEAVY DUTY SOLENOID ELECTRIC BOLT

CEGL	Solenoid electric drop bolt - 60mm throw - 24vdc
SPARES & ACCESSORIES	
CLPS	24vdc 5a power supply
CLMK	Lock cylinder & lock override key

TECHNICAL INFO:



**ROLLING CENTER
QUICK FOLDING**

Turn to page **190**

AES HEAVY DDUTY SOLENOID ELECTRIC BOLT	
CENTURION	
ELECTRICAL DATA	
PSU INPUT	230VAC
PSU OUTPUT	24VDC
CURRENT	150MA STANDBY - 5A MAX
DIMENSIONAL & GENERAL DATA	
POWER SUPPLY UNIT	24V 10A
PROTECTION LEVEL	EXTERNAL USE
WORKING TEMP (°C MIN/MAX)	-5 - +50



APS HYDRAULIC GATE CLOSER AND TOP HINGE KIT

APS	Hydraulic gate closer with standard hinge to weld-on - 150kg
APSSTOP	Hydraulic gate closer with stop hinge to weld-on - 150kg
APSW	Hydraulic gate closer with stop hinge to bolt-on - 150kg

**GATEMASTER
APS
HYDRAULIC UNDER GATE
CLOSER & HINGE**

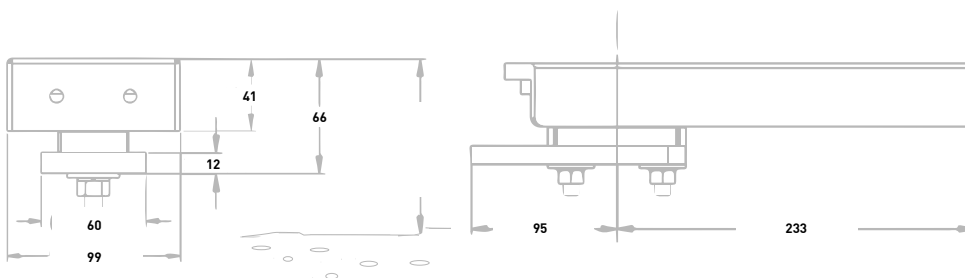
This hydraulically controlled gate closer and top hinge kit has been developed using proven technology to provide safe and reliable gate closing.

The closer and top hinge kit is specially designed for incorporating into gates that need to be self-closing.

Features:

- Robust – the closing unit fits underneath the gate making it vandal resistant
- Strong – can be used to reliably close gates up to 150kg
- Easy to install – as it is a hydraulic closer, no power is needed
- Unobtrusive – the closer also acts as a load bearing lower hinge
- Adjustable – a top hinge assembly which is fully adjustable to enable the gate to be positioned correctly after installation
- Option on top hinges – built in standard hinge (APS) or with built in stop to prevent the gate opening more than 90° and damaging the closer (APSSTOP)
- Also available as a bolt-on version (APSW)

TECHNICAL INFO:



Dimensions in: mm	GATEMASTER HYDRAULIC GATE CLOSER
	SPECIFICATION
	ROBUST – THE CLOSING UNIT FITS UNDERNEATH THE GATE MAKING IT VANDAL RESISTANT
	STRONG – CAN BE USED TO RELIABLY CLOSE GATES UP TO 150KG
	EASY TO INSTALL – AS IT IS A HYDRAULIC CLOSER, NO POWER IS NEEDED
	UNOBTRUSIVE – THE CLOSER ALSO ACTS AS A LOAD BEARING LOWER HINGE
	ADJUSTABLE – A TOP HINGE ASSEMBLY WHICH IS FULLY ADJUSTABLE TO ENABLE THE GATE TO BE POSITIONED CORRECTLY AFTER INSTALLATION
	OPTION ON TOP HINGES – BUILT IN STANDARD HINGE (APS) OR WITH BUILT IN STOP TO PREVENT THE GATE OPENING MORE THAN 90° AND DAMAGING THE CLOSER
	ALSO AVAILABLE AS A BOLT-ON VERSION (APSW)

**NEED SWING GATE
LOCKS?**

See page !!! for details



LOCINOX TIGER COMPACT HINGE & GATE CLOSER IN ONE

180° self-closing hydraulic hinge with precise adjustments on speed and final snap.

The aluminium powder coated housing and unique high-tech components allow the Tiger to function perfectly in any weather situation. The **Puma** hinge is included.

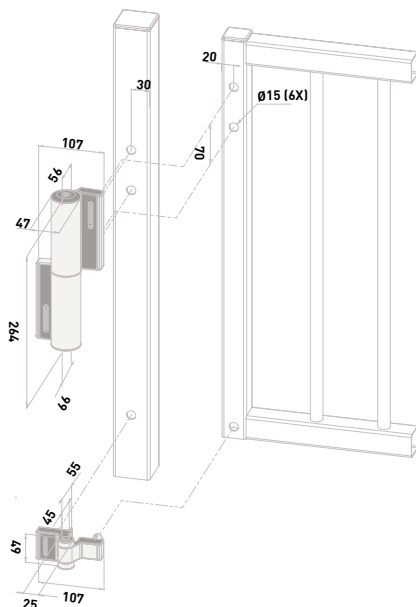
Need fall protection? recommended fall protection device the **U-Safe** gate safety cable avoids the gate to fall in case of hinge failure. Thanks to the patented Quick-Fix fixation system, the U-Safe is easily yet firmly fixed into the post. The U-Safe cable is rated up to 1500 kg and prevents gates up to 500 kg from falling in case both hinges might fail. U-Safe has been developed to secure a gate in accordance with EN 12604.



COMPACT HINGE & GATE CLOSER IN ONE - For gates up to 75kg, 1.1m leaf

TIGER ZILV	Silver hydraulic - self closing hinge - angle up to 180° - easy to open max 12Nm
TIGER 9005	Black hydraulic - self closing hinge - angle up to 180° - easy to open max 12Nm
SPARES & ACCESSORIES	
PUMA	Replacement hinge

TECHNICAL INFO:



ROLLING CENTER WHATSAPP TECHNICAL?

Scan the QR code for instant help

Rolling Center Tech Support

Dimensions in: mm	LOCINOX TIGER COMPACT HINGE & GATE CLOSER
	SPECIFICATION
	AUTOMATIC 180° - CLOSING WITH ADJUSTABLE CLOSING SPEED AND FINAL SNAP
	AESTHETIC DESIGN - FOR LEFT AND RIGHT TURNING GATES
	CLOSING SPEED UNAFFECTED BY HUMIDITY AND TEMPERATURE CHANGES
	POWDER COATED ALUMINIUM HOUSING
	20 MM VERTICAL ADJUSTABILITY
	15 MM HORIZONTAL ADJUSTABILITY
	EASY TO OPEN: MAX. 14 NM



COMPACT & POLYVALENT GATE CLOSER - For gates up to 75kg, 1.1m Leaf

LION ZILV	Silver compact closer - automatic 180° closing - railsets included - easy to open max 16Nm
LION 9005	Black compact closer - automatic 180° closing - railsets included - easy to open max 16Nm
SPARES & ACCESSORIES	
SHELL-LION-ALUM	Aluminium shell for Lion closer

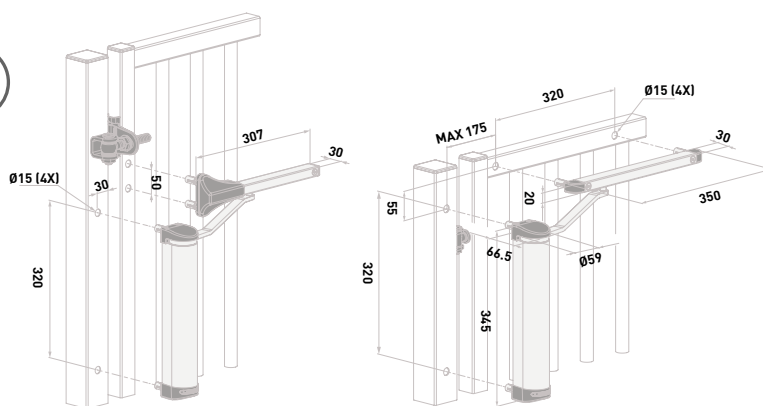
LOCINOX LION
COMPACT & POLYVALENT
HYDRAULIC GATE CLOSER

The attractive and compact **Lion** gate closer is unique in its kind. This hydraulic all-rounder is fit for every possible gate situation. Moreover, both **90°** and **180°** railsets are included in the package, allowing for more flexibility on site.

The anodised aluminium housing combines aesthetically pleasing look with a durable and spotless functioning for many years.

Need fall protection? recommended fall protection device the **U-Safe** gate safety cable avoids the gate to fall in case of hinge failure. Thanks to the patented Quick-Fix fixation system, the U-Safe is easily yet firmly fixed into the post. The U-Safe cable is rated up to 1500 kg and prevents gates up to 500 kg from falling in case both hinges might fail. U-Safe has been developed to secure a gate in accordance with EN 12604.

TECHNICAL INFO:



LOCINOX LION COMPACT GATE CLOSER
SPECIFICATION
AUTOMATIC 180° - CLOSING WITH ADJUSTABLE CLOSING SPEED AND FINAL SNAP
RAILSET INCLUDED FOR 90° AND 180° SITUATIONS
SCRATCH RESISTANT AND CORROSION FREE ANODISED ALUMINIUM HOUSING
COMPACT & AESTHETIC DESIGN FOR FOR LEFT & RIGHT TURNING GATES
INTEGRATED PRETENSION FOR EXTRA SMOOTH INSTALLATION
CLOSING SPEED UNAFFECTED BY TEMPERATURE CHANGES
EASY TO OPEN: MAX. 16 NM

PAL SMART GSM DEVICE

Turn to page 92



LOCINOX PANTHER POST & WALL MOUNT HYDRAULIC GATE CLOSER

Versatile, easy-to-install and compact gate closer designed specifically for wall and post situations.

Panther is installed above the gate or between two pillars and can precisely be adjusted to anyone's wishes. The guaranteed closing force over the full **120°** opening angle results in a worry free use, whatever the weather conditions.

The aesthetic and scratch free anodised housing ensures a very long life cycle.

Need fall protection? recommended fall protection device the **U-Safe** gate safety cable avoids the gate to fall in case of hinge failure. Thanks to the patented Quick-Fix fixation system, the U-Safe is easily yet firmly fixed into the post. The U-Safe cable is rated up to 1500 kg and prevents gates up to 500 kg from falling in case both hinges might fail. U-Safe has been developed to secure a gate in accordance with EN 12604.

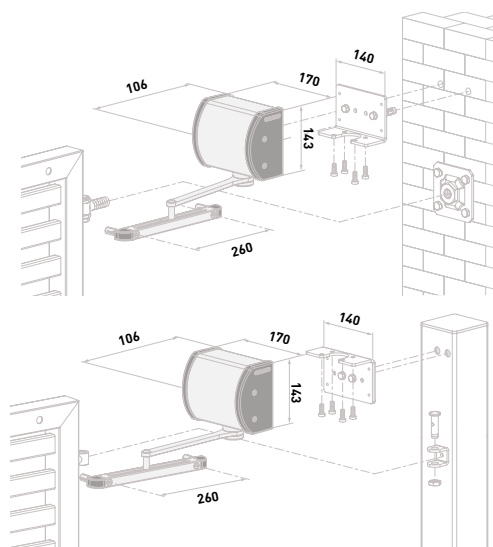


POST & WALL MOUNT HYDRAULIC GATE CLOSER - For gates up to 150kg, 1.5m leaf

PANTHER 9005

Black hydraulic - self closing hinge - adjustable speed & final snap - angle up to 120°

TECHNICAL INFO:



WE HAVE A FULL RANGE OF INTERCOMS AVAILABLE AT COMPETITIVE PRICES

If you don't see what you're looking for call us on **0113 201 6677** or email **Info@rollingcenter.co.uk**

Dimensions in: mm	LOCINOX PANTHER HYDRAULIC GATE CLOSER SPECIFICATION
	SELF-CLOSING GATE CLOSER WITH ADJUSTABLE SPEED AND FINAL SNAP
	CLOSING SPEED UNAFFECTED BY TEMPERATURE CHANGES
	SCRATCH RESISTANT AND CORROSION FREE ANODISED ALUMINIUM HOUSING
	AESTHETIC & COMPACT DESIGN - DESIGNED TO BE INSTALLED ABOVE THE GATE
	INTEGRATED PRETENSION FOR EXTRA SMOOTH INSTALLATION
	CLOSING FORCE OVER THE FULL 120° OPENING ANGLE
	EASY TO OPEN: MAX. 25 NM



POWERFUL HYDRAULIC GATE CLOSER - For gates up to 150kg, 1.5m Leaf

VERTICLOSE2 ZILV	Silver gate mount closer - self closing - closing force over full 180° - easy to open max 25Nm
VERTICLOSE2 9005	Black gate mount closer - self closing - closing force over full 180° - easy to open max 25Nm

SPARES & ACCESSORIES

SHELL-RHINO-VTC-ALUM	Aluminium cover for Rhino & Verticlose 2
----------------------	--

LOCINOX VERTICLOSE2 POWERFUL HYDRAULIC GATE CLOSER

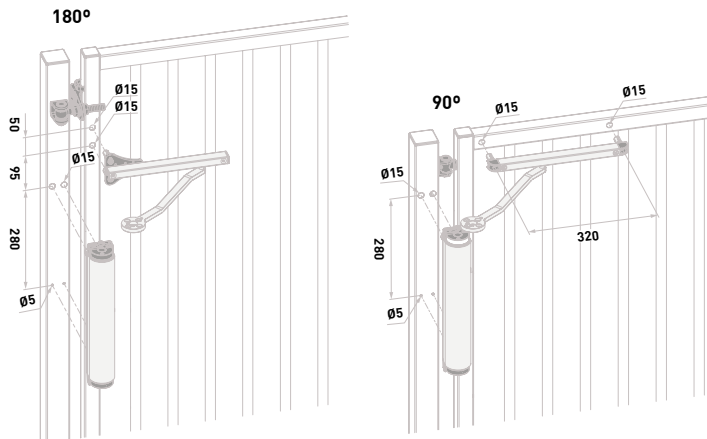
The **Verticlose-2** gate closer is top-of-the-range within the Verticlose product series.

It is extremely multifunctional and possesses excellent features, which makes Verticlose-2 a perfect fit for both **90°** and **180°** hinge situations. The integrated pre-tension and continuous adjustability of speed and final snap, combined with our Quick-Fix mounting system, guarantee a quick and efficient installation.

This aesthetic anodised aluminium gate closer with high-tech internal components ensures an exceptionally long life span.

Need fall protection? recommended fall protection device the **U-Safe** gate safety cable avoids the gate to fall in case of hinge failure. Thanks to the patented Quick-Fix fixation system, the U-Safe is easily yet firmly fixed into the post. The U-Safe cable is rated up to 1500 kg and prevents gates up to 500 kg from falling in case both hinges might fail. U-Safe has been developed to secure a gate in accordance with EN 12604.

TECHNICAL INFO:



Dimensions in: mm	LOCINOX VERTICLOSE2 GATE CLOSER
	SPECIFICATION
	MICRO ADJUSTMENT OF SPEED AND FINAL SNAP
	RAILSET INCLUDED FOR 90° AND 180° SITUATIONS
	SCRATCH RESISTANT AND CORROSION FREE ANODISED ALUMINIUM HOUSING
	AESTHETIC & COMPACT DESIGN
	INTEGRATED PRETENSION FOR EXTRA SMOOTH INSTALLATION
	CLOSING FORCE OVER THE FULL 180° OPENING ANGLE
	EASY TO OPEN: MAX. 25 NM

AUTOMATION & HARDWARE TRAINING COURSES AVAILABLE ON REQUEST

Call us on **0113 201 6677** for more details.



LOCINOX VERTICLOSE 2 WALL POWERFUL WALL-MOUNT HYDRAULIC GATE CLOSER

The **Verticlose-2 Wall** gate closer has been specifically designed for wall mounting where the gate closer itself is positioned **90°** in relation to the gate.

The specially designed arm turns around the wall or post, ensuring a large opening angle.

The aesthetic anodised aluminium gate closer with high-tech internal components ensures an exceptionally long life span.

Need fall protection? recommended fall protection device the **U-Safe** gate safety cable avoids the gate to fall in case of hinge failure. Thanks to the patented Quick-Fix fixation system, the U-Safe is easily yet firmly fixed into the post. The U-Safe cable is rated up to 1500 kg and prevents gates up to 500 kg from falling in case both hinges might fail. U-Safe has been developed to secure a gate in accordance with EN 12604.

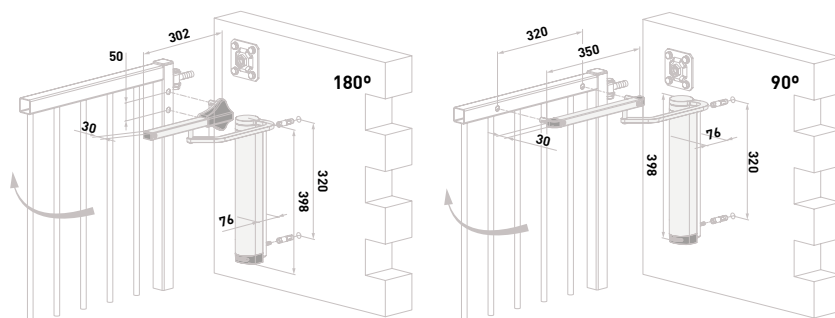


POWERFUL WALL-MOUNT HYDRAULIC GATE CLOSER - For gates up to 150kg, 1.5m leaf

VERTICLOSE2 WALL ZILV

Silver wall mount closer - self closing - closing force over full 180° - easy to open max 25Nm

TECHNICAL INFO:



VIDEX 4G GSM INTERCOM WITH KEYPAD



Turn to page **130**

Dimensions in: mm	LOCINOX VERTICLOSE2 WALL GATE CLOSER
	SPECIFICATION
	SELF-CLOSING GATE CLOSER WITH ADJUSTABLE SPEED AND FINAL SNAP
	SPECIALLY DESIGNED ARM FOR WALL MOUNTING WHILE GUARANTEEING A BIG OPENING ANGLE
	SCRATCH RESISTANT AND CORROSION FREE ANODISED ALUMINIUM HOUSING
	AESTHETIC & COMPACT DESIGN
	INTEGRATED PRETENSION FOR EXTRA SMOOTH INSTALLATION
	CLOSING FORCE OVER THE FULL 180° OPENING ANGLE
	EASY TO OPEN: MAX. 25 NM



HYDRAULIC GATE CLOSER FOR LARGE GATES - For gates up to 150kg, 2m Leaf

SAMSON2	Silver - Hydraulic gate closer - angle up to 150° - easy to open max 25Nm
SPARES & ACCESSORIES	
FORK-SAM	Fixing kit

LOCINOX SAMSON2 HYDRAULIC GATE CLOSER FOR LARGE GATES

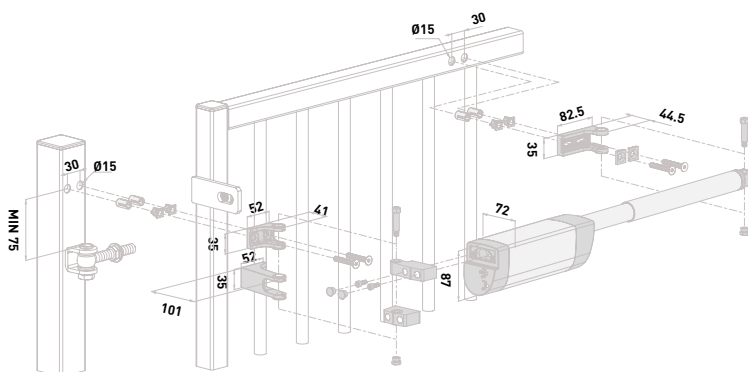
Simple installation and versatility make it the perfect fit for larger gates.

Samson2 is a polyvalent hydraulic gate closer developed with high quality components for an exceptional long life span. Temperature changes do not affect the smooth and constant functionality.

The set of mounting brackets that are delivered with the closer make **Samson2** fit any gate.

Need fall protection? recommended fall protection device the **U-Safe** gate safety cable avoids the gate to fall in case of hinge failure. Thanks to the patented Quick-Fix fixation system, the U-Safe is easily yet firmly fixed into the post. The U-Safe cable is rated up to 1500 kg and prevents gates up to 500 kg from falling in case both hinges might fail. U-Safe has been developed to secure a gate in accordance with EN 12604.

TECHNICAL INFO:



Dimensions in: mm	LOCINOX SAMSON2 GATE CLOSER
	SPECIFICATION
	OPENING ANGLE UP TO 150° DEPENDING ON THE SITUATION
	SPECIALLY DEVELOPED FOR OUTDOOR USE: INDUSTRIAL QUALITY
	SCRATCH RESISTANT AND CORROSION FREE ANODISED ALUMINIUM HOUSING
	CLOSING SPEED UNAFFECTED BY TEMPERATURE CHANGES
	FAST AND EASY FIXING WITH QUICK-FIX
	FOR LEFT AND RIGHT TURNING GATES
	EASY TO OPEN: MAX. 25 NM

ASO RESISTIVE SAFETY EDGES

Turn to page 71



LOCINOX MAMMOTH 180° GATE CLOSER & HINGE IN ONE

Elegant and powerful self-closing hinge for 180° gate situations.

Mammoth is perfectly fit for gates up to 150kg and 1500mm wide. It is equipped with a double bearing for exceptional functionality.

The Active Thermal System guarantees a constant closing speed, unaffected by weather conditions. The Dino hinge is included.

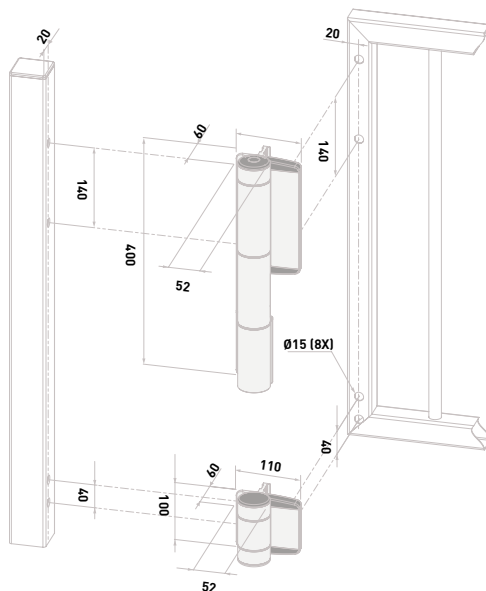
Need fall protection? recommended fall protection device the **U-Safe** gate safety cable avoids the gate to fall in case of hinge failure. Thanks to the patented Quick-Fix fixation system, the U-Safe is easily yet firmly fixed into the post. The U-Safe cable is rated up to 1500 kg and prevents gates up to 500 kg from falling in case both hinges might fail. U-Safe has been developed to secure a gate in accordance with EN 12604.



GATE CLOSER & HINGE IN ONE - For gates up to 150kg, 1.5m leaf

MAMMOTH ZILV	Silver self closing hinge - hydraulic dampening - angle up to 180° - easy to open max 16Nm
MAMMOTH 9005	Black self closing hinge - hydraulic dampening - angle up to 180° - easy to open max 16Nm
SPARES & ACCESSORIES	
DINO	Bottom hinge

TECHNICAL INFO:



MAMMOTH HD HEAVY DUTY VERSION AVAILABLE

Speak with our sales team for more information on 0113 201 6677 or email Info@rollingcenter.co.uk

ROLLING CENTER COMPOSITE FENCE BOARDS

Turn to page 258

Dimensions in: mm	LOCINOX MAMMOTH 180° GATE CLOSER
	SPECIFICATION
	180° HYDRAULIC GATE CLOSER WITH ADJUSTABLE SPEED
	AESTHETIC DESIGN
	POWDER COATED ALUMINIUM HOUSING
	CLOSING SPEED UNAFFECTED BY TEMPERATURE
	EASY TO OPEN: MAX. 16 NM
	VANDAL-PROOF - FOR LEFT & RIGHT TURNING GATES
	EASY MOUNTING WITH QUICK-FIX



BUILT-IN HYDRAULIC GATE CLOSER - For gates up to 150kg, 1.5m leaf

INTERIO	Built-in hydraulic gate closer - 50-60mm box section - self closing up to 125°
SPARES & ACCESSORIES	
INTERIO GROUND 9005	Wall fixing set for Inerio gate closer - black hot-dip galvanised steel
INTERIO WALL 9005	Wall fixing set for Inerio gate closer - ground hinge & wall panel



LOCINOX INTERIO BUILT-IN HYDRAULIC GATE CLOSER

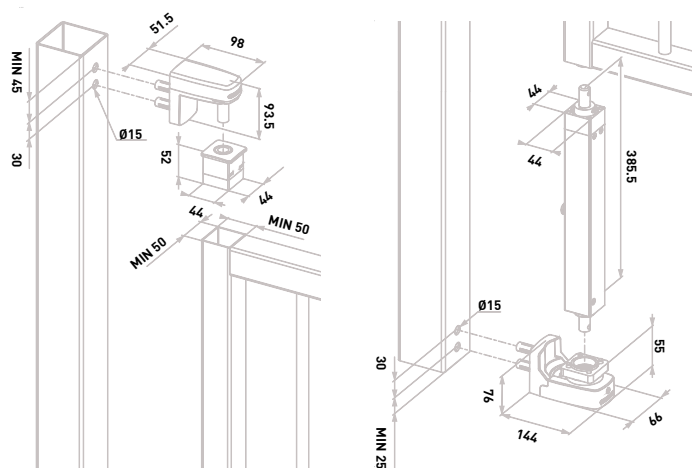
The invisible Interio gate closer, with matching hinge set, is completely built into the gate frame.

This highly aesthetic solution opens and closes the gate comfortably. The integrated pre-tension ensures an efficient and flawless installation where speed and final snap can be adjusted accurately to fit any need.

A constant closing speed is guaranteed in all weather conditions, without any adjustments needed. Interio is perfectly suited for both left and right turning gates.

Need fall protection? recommended fall protection device the **U-Safe** gate safety cable avoids the gate to fall in case of hinge failure. Thanks to the patented Quick-Fix fixation system, the U-Safe is easily yet firmly fixed into the post. The U-Safe cable is rated up to 1500 kg and prevents gates up to 500 kg from falling in case both hinges might fail. U-Safe has been developed to secure a gate in accordance with EN 12604.

TECHNICAL INFO:



Dimensions in: mm	LOCINOX INTERIO HYDRAULIC GATE CLOSER
	SPECIFICATION
	SELF-CLOSING UP TO 125° (DEPENDING ON THE SITUATION) WITH ADJUSTABLE CLOSING SPEED AND FINAL SNAP
	CONSTANT CLOSING SPEED IN HOT OR COLD WEATHER
	VANDAL-PROOF
	FOR LEFT & RIGHT TURNING GATES
	AVAILABLE FOR 50 AND 60 MM PROFILES WITH MAX 2 MM THICKNESS
	OPTIONAL SETS AVAILABLE FOR GROUND AND WALL INSTALLATION
	RECOMMENDED WITH GATESTOP

CREATIV ALUMINIUM FENCING

See page !!! for details



LOCINOX VENUS S MOTORIZED GATE CLOSER

The Venus is a plug-and-play motorised gate closer for pedestrian swing gates. The compact all-in-one gate operator can easily be installed on any type of post and hinge thanks to 3 different arm types.

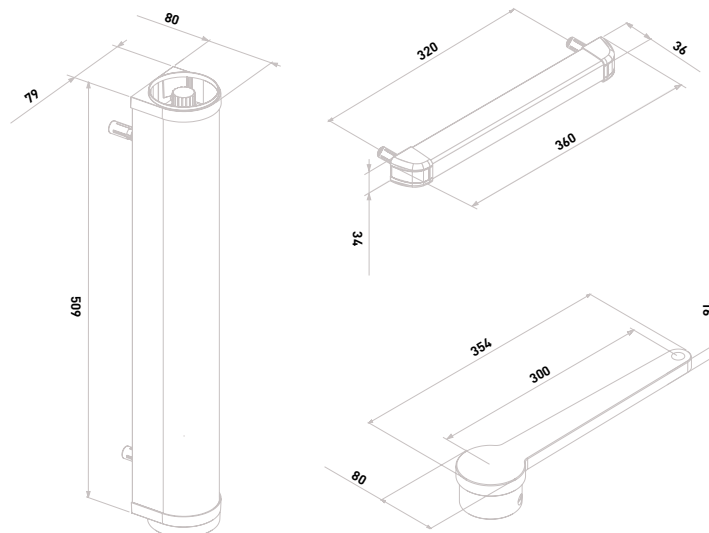
The innovative motor's performance remains unaffected by manual force. When combined with access control, the Venus also works as a low-energy gate opener.



MOTORIZED GATE CLOSER - For gates up to 100kg, 1.4m leaf

VENUS-S-SILV	Silver self closing hinge - hydraulic dampening - angle up to 175° - easy to open max 15Nm
VENUS-S-9005	Black self closing hinge - hydraulic dampening - angle up to 175° - easy to open max 15Nm
SPARES & ACCESSORIES	
SLIMSTONE2	Locinox keypad 12-24v ac/dc 2 relay output
LAKQ40U2LVSZFA-9005	40-60mm Locinox black industrial lock

TECHNICAL INFO:



MORE VERSIONS AVAILABLE

Speak with our sales team for more information on 0113 201 6677 or email Info@rollingcenter.co.uk

ROLLING CENTER WHATSAPP TECHNICAL?

Scan the QR code for instant help



Dimensions in: mm	LOCINOX MAMMOTH 180° GATE CLOSER
	SPECIFICATION
	180° HYDRAULIC GATE CLOSER WITH ADJUSTABLE SPEED
	AESTHETIC DESIGN
	POWDER COATED ALUMINIUM HOUSING
	CLOSING SPEED UNAFFECTED BY TEMPERATURE
	EASY TO OPEN: MAX. 16 NM
	VANDAL-PROOF - FOR LEFT & RIGHT TURNING GATES
	EASY MOUNTING WITH QUICK-FIX



GAS CLOSER - For gates up to 80 - 150kg, up to 1.2m leaf

GSB300N	Gas gate closer up to 80kg, weld on brackets
GSB500N	Gas gate closer up to 150kg, weld on brackets
SPARES & ACCESSORIES	
GSBWB	Screw fix brackets for GSB gas closer
GSBBJ	Gas close ball joint

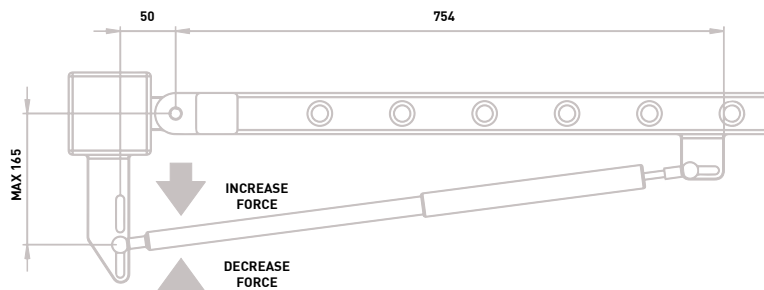
**GATEMASTER
GSB
WELD-ON
GAS CLOSER**

The reliable and long lasting **GSB** weld-on gate closer is ideal for closing gates up to 80kg. Simply weld or screw fix the brackets to the gate and post and fit the closer to the brackets. The unique hydraulic damping ensures that the gate will close slowly.

Features:

- Adaptable – The closer comes with either weld on or screw fixed brackets for fitting to a range of different gate types
- Reliable – A proven closer that has been closing gates regularly for many years
- Adjustable force – No need to release gas, the closer can be moved along the brackets to increase or decrease the force. This means the strength of the close can be adjusted
- Easy to fit – Adjustable brackets also mean there is no need to compress the strut when fitting to a gate

TECHNICAL INFO:



Dimensions in: mm

GATEMASTER GSBW HYDRAULIC GATE CLOSER

SPECIFICATION

ADAPTABLE – THE CLOSER COMES WITH EITHER WELD ON OR SCREW FIXED BRACKETS FOR FITTING TO A RANGE OF DIFFERENT GATE TYPES

RELIABLE – A PROVEN CLOSER THAT HAS BEEN CLOSING GATES REGULARLY FOR MANY YEARS

ADJUSTABLE FORCE – NO NEED TO RELEASE GAS, THE CLOSER CAN BE MOVED ALONG THE BRACKETS TO INCREASE OR DECREASE THE FORCE.

EASY TO FIT – ADJUSTABLE BRACKETS ALSO MEAN THERE IS NO NEED TO COMPRESS THE STRUT WHEN FITTING TO A GATE

FROM EXPERIENCE THESE CLOSERS CAN CLOSE MUCH HEAVIER GATES IF THE HINGES ARE FREE RUNNING

IF PERMANENT FORCE REDUCTION IS REQUIRED, A GAS RELEASE TOOL IS AVAILABLE

**NEED SWING GATE
LOCKS?**

See page !!! for details



GATEMASTER GSB SCREW-ON GAS CLOSER

The reliable and long lasting **GSBW** screw-on gate closer is ideal for closing gates up to 80kg. Simply weld or screw fix the brackets to the gate and post and fit the closer to the brackets. The unique hydraulic damping ensures that the gate will close slowly.

Features:

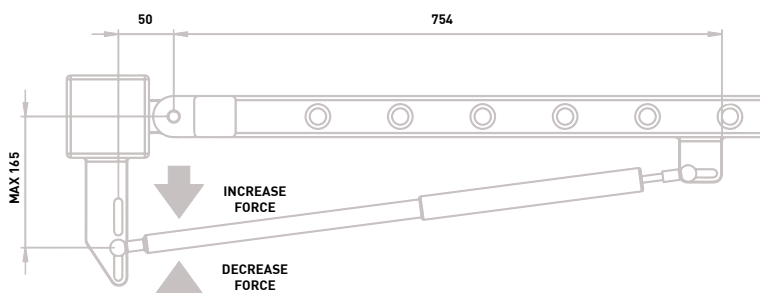
- Adaptable – The closer comes with either weld on or screw fixed brackets for fitting to a range of different gate types
- Reliable – A proven closer that has been closing gates regularly for many years
- Adjustable force – No need to release gas, the closer can be moved along the brackets to increase or decrease the force. This means the strength of the close can be adjusted
- Easy to fit – Adjustable brackets also mean there is no need to compress the strut when fitting to a gate



GAS CLOSER - For gates up to 80 - 150kg, up to 1.2m leaf

GSBW300N	Gate closer up to 80kg, stainless steel screw brackets
GSBW500N	Gate closer up to 150kg, stainless steel screw brackets
SPARES & ACCESSORIES	
GSBWB	Screw fix brackets for GSB gas closer
GSBBJ	Gas close ball joint

TECHNICAL INFO:



REGISTER FOR A TRADE ACCOUNT TODAY TO RECEIVE TRADE DISCOUNTS

Call us on **0113 201 6677** our friendly team are here to help.

Dimensions in: mm	GATEMASTER GSBW HYDRAULIC GATE CLOSER SPECIFICATION
	ADAPTABLE – THE CLOSER COMES WITH EITHER WELD ON OR SCREW FIXED BRACKETS FOR FITTING TO A RANGE OF DIFFERENT GATE TYPES
	RELIABLE – A PROVEN CLOSER THAT HAS BEEN CLOSING GATES REGULARLY FOR MANY YEARS
	ADJUSTABLE FORCE – NO NEED TO RELEASE GAS, THE CLOSER CAN BE MOVED ALONG THE BRACKETS TO INCREASE OR DECREASE THE FORCE.
	EASY TO FIT – ADJUSTABLE BRACKETS ALSO MEAN THERE IS NO NEED TO COMPRESS THE STRUT WHEN FITTING TO A GATE
	FROM EXPERIENCE THESE CLOSERS CAN CLOSE MUCH HEAVIER GATES IF THE HINGES ARE FREE RUNNING
	IF PERMANENT FORCE REDUCTION IS REQUIRED, A GAS RELEASE TOOL IS AVAILABLE



GAS GATE CLOSER - For gates up to 50kg, 1m leaf

GCG 2000

Gas closer - angle up to 90° - adjustable latching & closing speed

**GCG 2000
GAS GARDEN
GATE CLOSER**

This is an easy to install, inexpensive gate closer for residential/light commercial garden gates which provides hydraulically controlled closing speed and final latching speed adjustments.

Suitable for gate weights up to **50kg** width up to **1000mm** max/height up to **1800mm** max



GAS GATE CLOSER - For gates up to 80kg, 1.2m leaf

GCG 200

Gas closer - angle up to 90° - 200Nm

**GCG 200
PEDESTRIAN GAS
GATE CLOSER**

This is an easy to install, inexpensive gate closer for residential/commercial garden gates which provides hydraulically controlled closing speed and final latching speed adjustments.

Suitable for gate weights up to **80kg** width up to **1200mm** max/height up to **1800mm** max



GAS GATE CLOSER - For gates up to 100kg, 1.5m leaf

GCG 400

Gas closer - angle up to 90° - 200Nm

**GCG 400
GAS GATE CLOSER**

This is an easy to install, inexpensive gate closer for residential/commercial garden gates which provides hydraulically controlled closing speed and final latching speed adjustments.

Suitable for gate weights up to **100kg** width up to **1500mm** max/height up to **1800mm** max

'24

2024 TRADE CATALOGUE

GATE HARDWARE
GATE AUTOMATION
ACCESS CONTROL
GATE SAFETY
ALUMINIUM GATES

TEL. 0113 201 6677

SECTION F

SWING GATE HARDWARE

GATE HINGES	208
JOINT ELEMENTS	211
PLATES	212
IN-LINE GATE HINGES	213
ROTATING GATE HINGES	214
TRAVEL STOPS	216
QUICK FOLDING HARDWARE	218

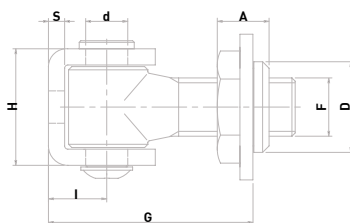


**ROLLING CENTER
CR
WELD-ON HINGE
WITH ADJUSTABLE BOSS**



WELD-ON HINGE WITH ADJUSTABLE BOSS

CR 18	Yellow galvanized - weld-on hinge for 35mm box section min
CR 20	Yellow galvanized - weld-on hinge for 40mm box section min
CR 24	Yellow galvanized - weld-on hinge for 50mm box section min



Dimensions in: mm

WELD ON HINGE

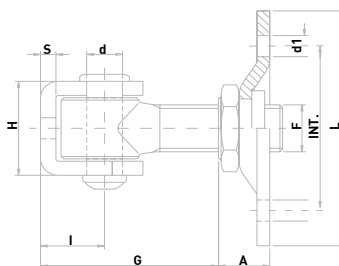
REFERENCE	D Ø	d Ø	F (thread)	G MIN / MAX	I	H	S	A	WEIGHT
CR 18	28	14	M 18	50 - 85	18	36	5	15	0.40 KG
CR 20	28	14	M 20	50 - 85	21	39	6	15	0.49 KG
CR 24	34	17	M 24	60 - 100	26	47	6	17	0.81 KG

**ROLLING CENTER
CR
WELD-ON HINGE
WITH PLATE &
ADJUSTABLE BOSS**



WELD-ON HINGE WITH PLATE & ADJUSTABLE BOSS

CR 18P	Yellow galvanized - weld-on hinge with plate for 35mm box section min
CR 20P	Yellow galvanized - weld-on hinge with plate for 40mm box section min
CR 24P	Yellow galvanized - weld-on hinge with plate for 50mm box section min



Dimensions in: mm

WELD ON HINGE WITH PLATE

REFERENCE	D Ø	F (thread)	G MIN / MAX	I	H	S	A	L PLATE	d1 Ø	INT	WEIGHT
CR 18 P	28	M 18	40 - 75	18	36	5	17	60 X 90	9	40 X 70	0.52 KG
CR 20 P	28	M 20	40 - 75	21	40	6	20	100	9	70	0.84 KG
CR 24 P	34	M 24	52 - 90	26	47	6	20	120	11	90	1.41 KG

**ASO RESISTIVE
SAFETY EDGES**



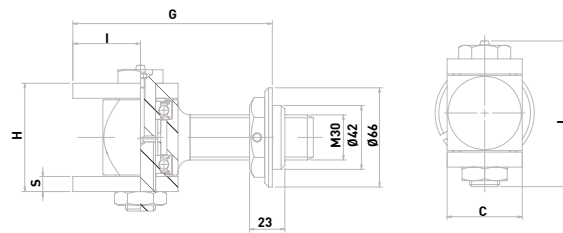
Turn to page **71**



**ROLLING CENTER
 CR
 HEAVY DUTY
 WELD-ON HINGE
 WITH ADJUSTABLE BOSS**

HEAVY DUTY WELD-ON HINGE WITH ADJUSTABLE BOSS

CR 50	Yellow galvanized - heavy duty - weld-on hinge for 50mm box section min
CR 60	Yellow galvanized - heavy duty - weld-on hinge for 60mm box section min



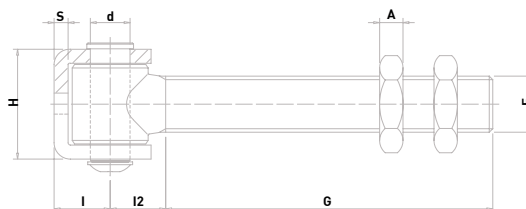
LARGE WELD ON HINGE							Dimensions in: mm	
REFERENCE	C	H	G MIN / MAX	I	S	L	CAPACITY	WEIGHT
CR 50	50	72	95 - 150	45	10	100	500 KG	2.1 KG
CR 60	60	85	100 - 155	50	12	110	680 KG	3 KG



**ROLLING CENTER
 CL
 WELD-ON HINGE
 WITH EXTENDED THREAD**

WELD-ON HINGE WITH EXTENDED THREAD

CL 20	Yellow galvanized - weld-on hinge with extended bar for 40mm box section min
CL 24	Yellow galvanized - weld-on hinge with extended bar for 50mm box section min



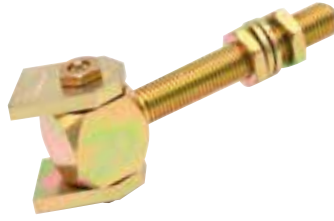
WELD ON HINGE WITH EXTENDED THREADED BAR									Dimensions in: mm
REFERENCE	d Ø	F (thread)	G	I	I2	H	S	A	WEIGHT
CL 20	14	M 20	143	21	18	40	6	9	1.56 KG
CL 24	17	M 24	141	26	24	47	6	10	0.99 KG

**NICE & BENINCA
 UNDERGROUND
 AUTOMATION**

See page 18

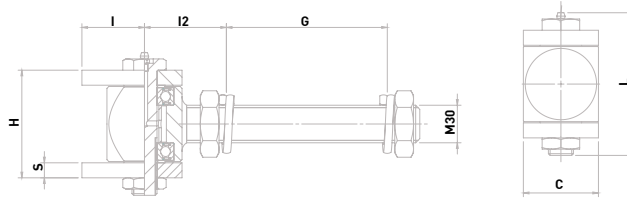


**ROLLING CENTER
CL
HEAVY DUTY
WELD-ON HINGE
WITH EXTENDED THREAD**



HEAVY DUTY EXTENDED WELD-ON HINGE

CL 50	Yellow galvanised - heavy duty - extended bar - weld-on hinge for 50mm box section min
CL 60	Yellow galvanised - heavy duty - extended bar - weld-on hinge for 60mm box section min



Dimensions in: mm

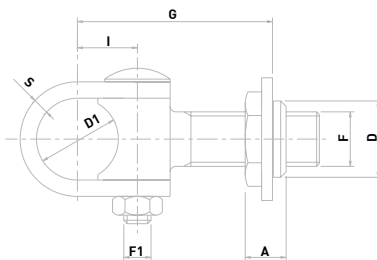
REFERENCE	F	C	H	S	L	I	I2 MIN	G MAX	CAPACITY	WEIGHT
CL 50	M 30	50	72	10	100	45	50	140	500 KG	2.8 KG
CL 60	M 30	60	86	12	110	50	55	140	600 KG	3.8 KG

**ROLLING CENTER
CR
WRAP-AROUND HINGE
WITH ADJUSTABLE BOSS**



WRAP-AROUND HINGE

CR 30	Yellow galvanised - wrap-around hinge for 35mm box section min
CR 35	Yellow galvanised - wrap-around hinge for 40mm box section min
CR 40	Yellow galvanised - wrap-around hinge for 50mm box section min



Dimensions in: mm

REFERENCE	D Ø	D1 Ø	F (thread)	F1 (thread)	G MIN / MAX	I	S	A	WEIGHT
CR 30	28	30	M 20	M 10	50 - 78	22	6	15	0.54 KG
CR 35	34	35	M 24	M 10	57 - 88	26	6	17	0.77 KG
CR 40	43	40	M 30	M 12	70 - 110	34	6	24	1.36 KG

**NEED ASSISTANCE
WITH CHOOSING
THE RIGHT KIT?**

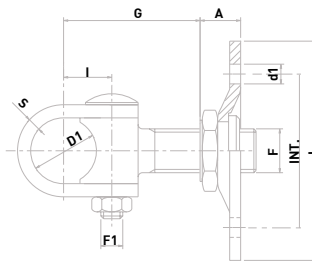
Call us on
0113 201 6677 our friendly
team are here to help.



**ROLLING CENTER
CR
WRAP-AROUND HINGE
WITH PLATE &
ADJUSTABLE BOSS**

WRAP-AROUND HINGE WITH PLATE

CR 30P	Yellow galvanized - wrap-around hinge with plate for 35mm box section min
CR 35P	Yellow galvanized - wrap-around hinge with plate for 40mm box section min
CR 40P	Yellow galvanized - wrap-around hinge with plate for 50mm box section min



Dimensions in: mm

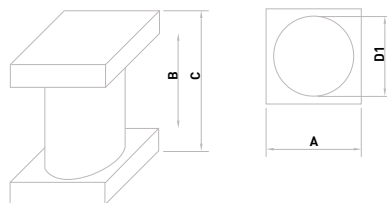
REFERENCE	L (plate)	D1 Ø	F (thread)	F1 (thread)	G MIN / MAX	I	S	A	d1 Ø	INT	WEIGHT
CR 30P	100	30	M 20	M 10	39 - 63	22	6	20	9	70	0.89 KG
CR 35P	120	35	M 24	M 10	45 - 74	26	6	20	11	90	1.39 KG
CR 40P	120	40	M 30	M 12	70 - 110	34	6	25	11	90	1.39 KG



**ROLLING CENTER
T
WELD-IN JOINT ELEMENT**

WELD-IN JOINT ELEMENT

T 30	Yellow galvanized - weld-in joint element for 35mm box section
T 35	Yellow galvanized - weld-in joint element for 40mm box section
T 40	Yellow galvanized - weld-in joint element for 50mm box section



Dimensions in: mm

REFERENCE	D1 Ø	A	B	C	WEIGHT
T 30	28.5	35	35	55	0.37 KG
T 35	33.5	40	40	60	0.53 KG
T 40	38.5	50	45	65	0.81 KG

**ROLLING CENTER
CAVO FALL
PROTECTION
CABLES**

Turn to page **70**



ROLLING CENTER
T
EXTENDED
WELD-IN JOINT ELEMENT



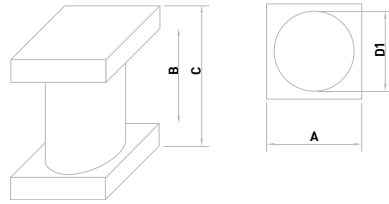
EXTENDED WELD-IN JOINT ELEMENT

T 35 / 80

Yellow galvanised - extended weld-in joint element for 40mm box section

T 40 / 90

Yellow galvanised - extended weld-in joint element for 50mm box section



Dimensions in: mm					
EXTENDED WELD-IN JOINT ELEMENT FOR WRAP AROUND HINGES					
REFERENCE	D1 Ø	A	B	C	WEIGHT
T 35 / 80	28.5	35	80	100	0.80 KG
T 40 / 90	33.5	40	90	110	1.20 KG

ROLLING CENTER
PR
PLATE WITH
ADJUSTABLE BOSS



HINGE PLATE WITH ADJUSTABLE BOSS

PR18

Yellow galvanised - bolt-on plate - for hinges with a M18 thread - adjustable boss

PR20

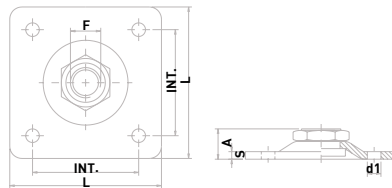
Yellow galvanised - bolt-on plate - for hinges with a M20 thread - adjustable boss

PR24

Yellow galvanised - bolt-on plate - for hinges with a M24 thread - adjustable boss

PR30

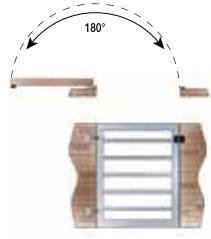
Yellow galvanised - bolt-on plate - for hinges with a M30 thread - adjustable boss



Dimensions in: mm							
PLATE WITH ADJUSTABLE BOSS							
REFERENCE	L (plate size)	F (thread)	S	A	INT.	d1 Ø	WEIGHT
PR 18	60 x 90	M 18	4	14	40 x 70	9	0.25 KG
PR 20	100	M 20	5	19	70	11	0.44 KG
PR 24	120	M 24	6	20	90	11	0.71 KG
PR 30	120	M 30	6	25	90	11	0.77 KG

**REGISTER FOR A
TRADE ACCOUNT
TODAY
TO RECEIVE TRADE
DISCOUNTS**

Call us on
0113 201 6677 our friendly
team are here to help.

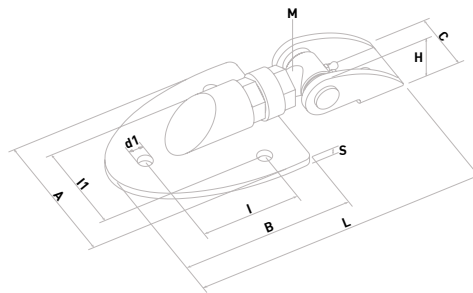


**ROLLING CENTER
PASCAL 1
BOLT-ON 180° HINGE**

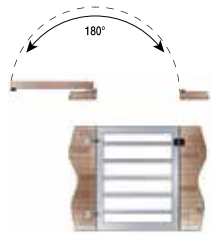
LARGE BOLT-ON 180° HINGE

PASCAL1

Yellow galvanised - 180° - bolt-on hinge



PASCAL1 180° BOLT-ON HINGE												
REFERENCE	A	B	C	d1	I	I1	M	H	L	S	FINISH	WEIGHT
PASCAL 1	120	140	46.5	12	80	80	20	40	235 / 247	5	GALVANISED	1.42 KG

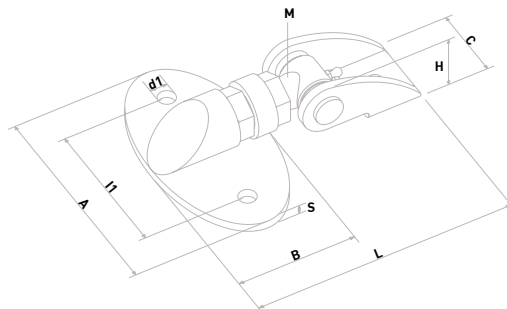


**ROLLING CENTER
PASCAL 2
BOLT-ON 180° HINGE**

SMALL BOLT-ON 180° HINGE

PASCAL2

Black finish steel - 180° - bolt-on hinge



PASCAL2 180° BOLT-ON HINGE												
REFERENCE	A	B	C	d1	I	I1	M	H	L	S	FINISH	WEIGHT
PASCAL 2	150	80	46.5	12	100	20	40	40	178 / 190	5	GALVANISED	1.22 KG

**LOCINOX
HYDRAULIC GATE
CLOSERS**

See page **169**



ROLLING CENTER
PG
ADJUSTABLE ROTATING
TOP HINGE WITH WELD-ON
FIXING PLATE



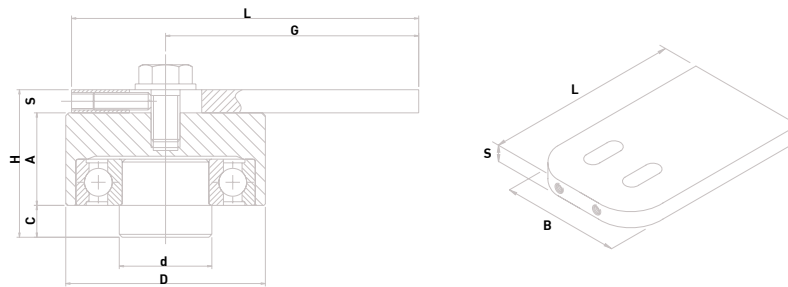
ADJUSTABLE ROTATING TOP HINGE WITH WELD-ON FIXING PLATE

PG51S

Yellow galvanized - 50mm diameter - adjustable 48-60mm - rotating hinge - up to 450kg

PG71S

Yellow galvanized - 70mm diameter - adjustable 80-95mm - rotating hinge - up to 1000kg



Dimensions in: mm

ADJUSTABLE ROTATING TOP HINGE WITH WELD-ON FIXING PLATE

REFERENCE	D Ø	d Ø	A	C	H	B	L	S	G (min/max)	CAPACITY (kg)	WEIGHT
PG 51S	50	23	25	10	43	50	80	8	48 / 60	450	0.6 KG
PG 71S	70	32	32	11	51	70	120	8	80 / 95	1000	1.48 KG

ROLLING CENTER
PG
ROTATING BOTTOM
WELD-ON HINGE



WELD-ON ROTATING BOTTOM HINGE

PG50I

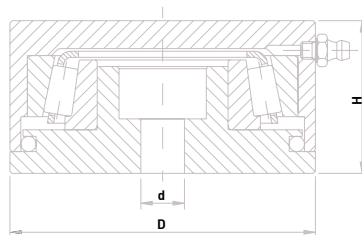
Yellow galvanized - 50mm diameter - rotating hinge - up to 1000kg

PG70I

Yellow galvanized - 70mm diameter - rotating hinge - up to 2500kg

PG120I

Yellow galvanized - 120mm diameter - rotating hinge - up to 3000kg



Dimensions in: mm

ROTATING BOTTOM WELD-ON HINGE

REFERENCE	D Ø	d Ø	H	CAPACITY (kg)	WEIGHT
PG 50I	50	8	31	1000	0.40 KG
PG 70I	70	10	35	2500	0.87 KG
PG 120I	120	20	43	3000	4.00 KG

**LOCINOX VINCI
MECHANICAL
CODED SWING
GATE LOCKS**

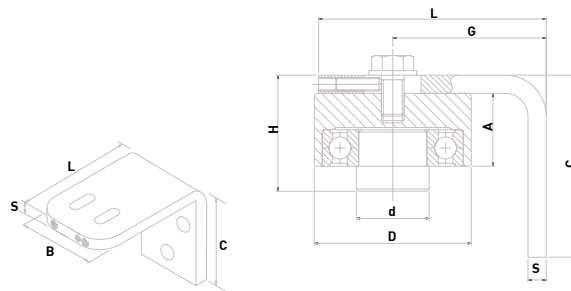
Turn to page **152**



**ROLLING CENTER
PG**
ADJUSTABLE ROTATING TOP
HINGE WITH BOLT-ON
FIXING PLATE

ADJUSTABLE ROTATING TOP HINGE WITH BOLT-ON FIXING PLATE

PG51S2	Yellow galvanised - 50mm diameter - adjustable 52-64mm - rotating hinge - up to 400kg
PG71S2	Yellow galvanised - 70mm diameter - adjustable 65-80mm - rotating hinge - up to 800kg



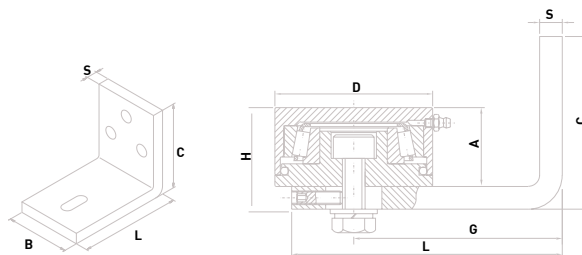
REFERENCE	D Ø	d Ø	A	H	B	L	C	S	G (min/max)	CAPACITY (kg)	WEIGHT
PG 51 S2	50	23	25	43	50	80	70	8	52 / 64	400	0.74 KG
PG 71 S2	70	32	32	51	70	100	80	8	65 / 80	800	1.65 KG



**ROLLING CENTER
PG**
ADJUSTABLE ROTATING
BOTTOM HINGE WITH
BOLT-ON FIXING PLATE

ADJUSTABLE ROTATING BOTTOM HINGE WITH BOLT-ON FIXING PLATE

PG50I2	Yellow galvanised - 50mm diameter - adjustable 52-64mm - rotating hinge - up to 200kg
PG70I2	Yellow galvanised - 70mm diameter - adjustable 65-80mm - rotating hinge - up to 300kg



REFERENCE	D Ø	A	G	H	B	L	S	G (min/max)	CAPACITY (kg)	WEIGHT
PG 50 I2	50	31	70	40	80	80	8	52 - 64	200	0.75 KG
PG 70 I2	70	35	80	60	100	100	10	65 - 80	300	1.68 KG

WE HAVE A FULL RANGE OF ACCESS CONTROL SOLUTIONS AVAILABLE AT COMPETITIVE PRICES

If you don't see what you're looking for call us on **0113 201 6677** or email **Info@rollingcenter.co.uk**



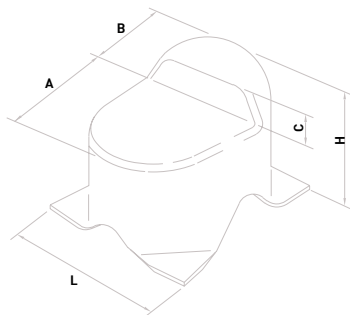
**ROLLING CENTER
F105
CONCRETE-IN CENTER
TRAVEL STOP**



CONCRETE-IN CENTER TRAVEL STOP

F105

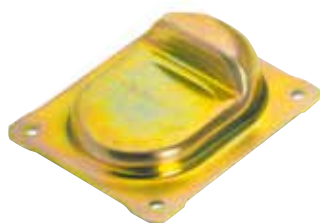
Yellow galvanised - concrete-in travel stop - for two leaf gates



Dimensions in: mm

REFERENCE	L	H	A	B	C	WEIGHT
F105	92	77	63	35	20	0.37 KG

**ROLLING CENTER
F105
BOLT-DOWN CENTER
TRAVEL STOP**



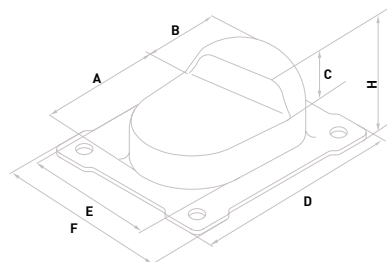
BOLT-DOWN CENTER TRAVEL STOP

F105BP

Yellow galvanised - small bolt-down travel stop - for two leaf gates

F105BG

Yellow galvanised - large bolt-down travel stop - for two leaf gates



Dimensions in: mm

REFERENCE	A	B	C	D	E	F	H	WEIGHT
F105 BP	68	36	18	122	70	100	36	0.30 KG
F105 BG	88	42	20	157	90	130	40	0.50 KG

GATE SAFETY PRODUCTS

See page 59



SAVE YOUR TIME AND MONEY!

VISIT OUR WEBSITE TODAY AND PLACE YOUR ORDER ONLINE

If you are a registered trade customer of Rolling Center, your online trade account is already set up with your bespoke trade pricing.

You can view your account at any time by visiting our website www.rollingcenter.co.uk and using the email address where your invoices are sent (often your accounts email address), reset your password to log in.

Upon logging in, you will be able to edit your account information, view prices and place orders.

USE OUR **CLICK & COLLECT** SERVICE ONLINE TODAY. CREATE YOUR OWN QUOTES AND PRODUCT LISTS.

as easy as 1, 2, 3...

1. REGISTER
2. ORDER
3. COLLECT

CLICK & COLLECT

HOW TO ACCESS YOUR ONLINE TRADE ACCOUNT:

- Visit www.rollingcenter.co.uk
- Go to login
- Use the email address where your invoices are sent (often your accounts email address)
- Reset your password to log in

SHOPPING BASKET

Mini Kit 3 silent kit for gates up to 6m opening and 450kg in weight (1x6m)	1	£267.80
Nice high-speed sliding gate kit for gates up to 500kg 24x (Robus KR HS)	1	£431.00
Videa GSM4KC-1S one station GSM intercom with keypad	1	£524.45
ASO 1m length 45mm profile resistive through safety edge		
Empty the Basket		
SUBTOTAL		£1,332.11
SHIPPING TO (HX2 9RR) <small>edit</small>		£55.00
TOTAL:		£1,387.11
TOTAL inc VAT:		£1,664.53
<small>VIEW BASKET</small>		CHECKOUT

VISIT US AND START SAVING TODAY

WWW.ROLLINGCENTER.CO.UK



**ROLLING CENTER
QUICK FOLDING
BI-FOLDING SWING GATE
HARDWARE**

A



PG 51S
PG 71S
PG 121S



CR50
CR60

CG 50 LS



CL 60



B



PG 50I
PG 70I
PG 120I



CR 50
CR 60
CL 60

CG 50 LI



PG 50 IRQ
PG 70 IRQ



C

QF1



QF2



D

QF A130
QF A200



E

QUICK F1



F

139P



139C



139R



CRN1



CRN1A

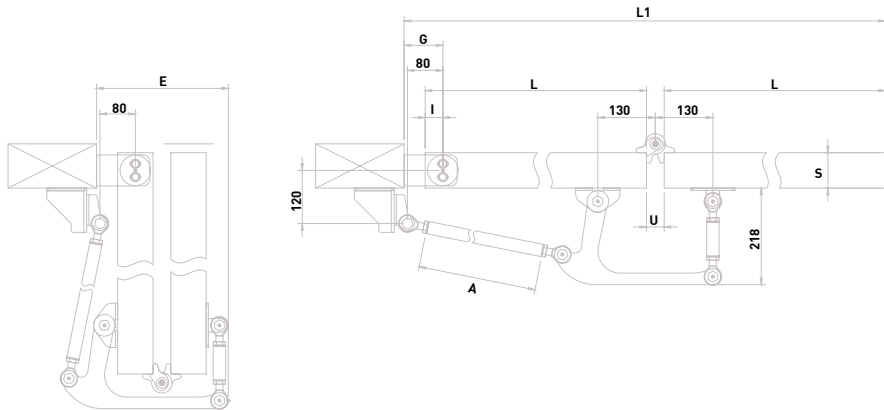


**NICE & BENINCA
UNDERGROUND
AUTOMATION**

See page 18



INLINE WITH POST MOUNT CONFIGURATION



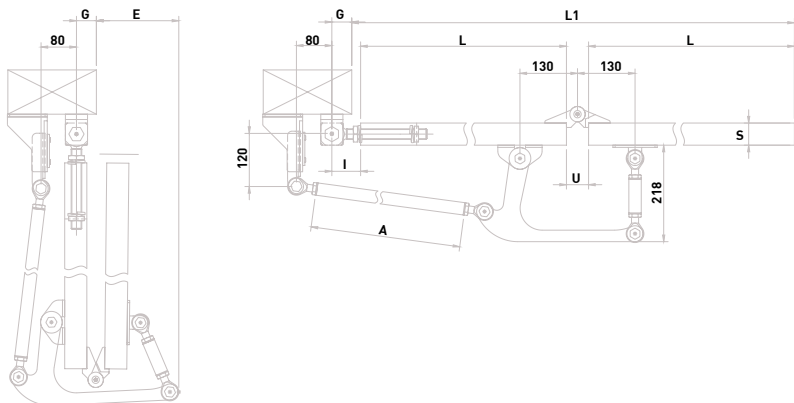
**ROLLING CENTER
QUICK FOLDING
BI-FOLDING SWING GATE
HARDWARE INLINE WITH
POST MOUNT**

Dimensions in: mm

QUICK FOLDING - INLINE WITH POST MOUNT CONFIGURATION

REFERENCE		MAX WEIGHT 1 LEAF (L1/H=2)							
HINGE TOP	HINGE BOTTOM	G	I	L	A	E	CRN1A (kg)	CRN1 (kg)	139... (kg)
PG51S	PG50I	54	S/2	$\frac{L1-G+I-U}{2}$	$\frac{L1-G-I}{2}-210$	250+G $\frac{S}{2}$	150	200	250 KG
PG71S	PG70I	87.5	S/2	$\frac{L1-G+I-U}{2}$	$\frac{L1-G+I}{2}-210$				500 KG
CR50	PR50IRQ	95÷170	45			$\frac{L1-G+I-U}{2}$	$\frac{L1-G+I}{2}-210$	250+G $\frac{S}{2}$	150
CR60	PR70IRQ	100÷155	50	500 KG					
CR50	CR50	95÷150	50÷105	$\frac{L1-G+I-U}{2}$	$\frac{L1-G+I}{2}-210$	250+G $\frac{S}{2}$	150	200	300 KG
CR60	CR60	100÷155	55÷105						400 KG
CL60	CL60	100÷155	55÷105						400 KG

BACK OF POST MOUNT CONFIGURATION



**ROLLING CENTER
QUICK FOLDING
BI-FOLDING SWING GATE
HARDWARE BACK OF POST
MOUNT**

Dimensions in: mm

QUICK FOLDING - BACK OF POST MOUNT CONFIGURATION

REFERENCE		MAX WEIGHT 1 LEAF (L1/H=2)						
HINGE TOP	HINGE BOTTOM	I	L	A	E	CRN1A (kg)	CRN1 (kg)	139... (kg)
CR50	PG50IRQ	45	$\frac{L1+G+I-U}{2}$	$\frac{L1+G+I}{2}-210$	250-G $\frac{S}{2}$	150	200	250 KG
CR60	PG70IRQ	50						500 KG
CG50LS	CG50LI	50÷105	$\frac{L1+G+I-U}{2}$	$\frac{L1+G+I}{2}-210$	250-G $\frac{S}{2}$	150	200	400 KG
CR50	CR50	50÷105						300 KG
CR60	CR60	55÷105						400 KG
CR60	CL60	55÷105						400 KG

LOCINOX SLIDING & SWING GATE LOCKS



Turn to page **144**



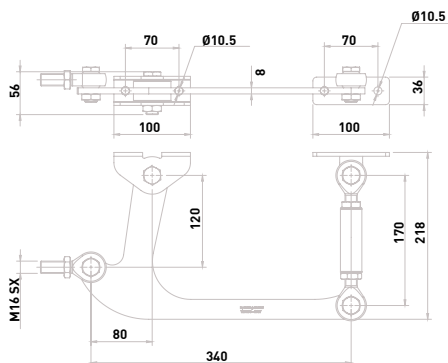
ROLLING CENTER
QUICK F1
BI-FOLDING BOOMERANG
MECHANISM



BI-FOLDING GATE BOOMERANG MECHANISM

QUICK F1

Yellow galvanised - bi-folding boomerang mechanism



Dimensions in: mm

BOOMERANG MECHANISM FOR BI-FOLDING SWING GATES

REFERENCE	WEIGHT
QUICK F1	3.2KG

ROLLING CENTER
QF
BI-FOLDING
CONNECTING ROD



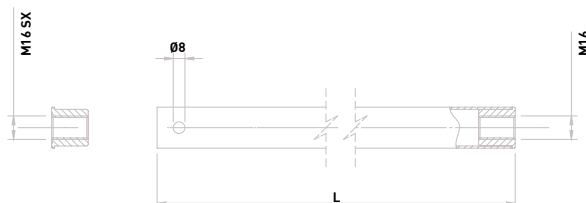
BI-FOLDING GATE CONNECTION ROD

QF A130

Yellow galvanised - 1300mm - connecting rod

QF A200

Yellow galvanised - 2000mm - connecting rod



Dimensions in: mm

CONNECTING ROD FOR BI-FOLDING SWING GATES

REFERENCE	L	WEIGHT
QF A130	1300	1.4KG
QF A200	2000	2.1KG

ROLLING CENTER
WHATSAPP
TECHNICAL

Scan the QR code for instant help



Rolling Center Tech Support

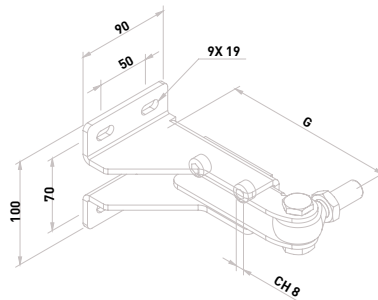


**ROLLING CENTER
 QF**
 HINGE FOR BI-FOLDING
 BACK OF POST MOUNT
 CONFIGURATION

BI-FOLDING HINGE FOR BACK OF POST MOUNT

QF F1

Yellow galvanized - for back of post mount



HINGE FOR BI-FOLDING SWING GATES		
REFERENCE	MOUNTING	WEIGHT
QF F1	BACK OF POST	1.4KG

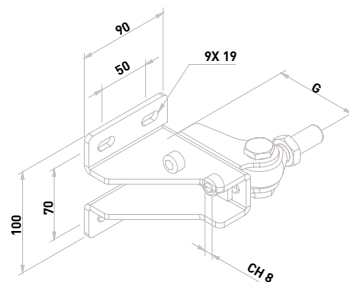


**ROLLING CENTER
 QF**
 HINGE FOR BI-FOLDING
 IN-LINE TO GATE MOUNT
 CONFIGURATION

BI-FOLDING HINGE FOR IN-LINE TO POST MOUNT

QF F2

Yellow galvanized - for in-line to post mount



HINGE FOR BI-FOLDING SWING GATES		
REFERENCE	MOUNTING	WEIGHT
QF F2	INLINE TO GATE	1.7KG

**WE HAVE A FULL
 RANGE OF
 INTERCOMS
 AVAILABLE AT
 COMPETITIVE
 PRICES**

If you don't see what you're looking for call us on **0113 201 6677** or email Info@rollingcenter.co.uk



ROLLING CENTER
PG
CANTILEVERED ROTATING
BOTTOM HINGE WITH WELD-
ON FIXING PLATE



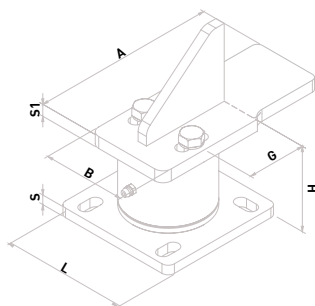
CANTILEVERED ROTATING BOTTOM HINGE WITH WELD-ON FIXING PLATE

PG50IRQ

Yellow galvanized - 50mm diameter - adjustable 39-51mm - rotating hinge - up to 1000kg

PG70IRQ

Yellow galvanized - 70mm diameter - adjustable 41-59mm - rotating hinge - up to 1500kg



SWING GATE CANTILEVERED ROTATING BOTTOM HINGE WITH FIXING PLATE											
REFERENCE	D (Ø)	L	H	S	B	A	S1	F	HINGES	CAPACITY (kg)	WEIGHT
PG 50 IR Q	50	80	58	55	50	120	8	39÷51	CR50/CL50	1000	0.48 KG
PG 70 IR Q	70	105	71	75	70	155	10	41÷59	CR60/CL60	1500	1.1 KG

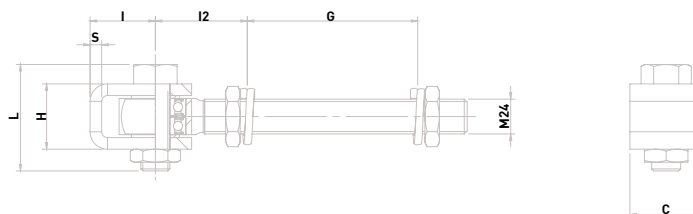
ROLLING CENTER
CG 50 LS
DOUBLE BEARING WELD-ON
TOP HINGE WITH EXTENDED
THREAD



DOUBLE BEARING WELD-ON TOP HINGE WITH EXTENDED THREAD

CG 50 LS

Yellow galvanized - double bearing - weld-on hinge with extended bar



SWING GATE DOUBLE BEARING WELD-ON TOP HINGE WITH EXTENDED THREAD											
REFERENCE	F	C	H	S	L	I	I2 (min)	G (max)	CAPACITY (kg)	WEIGHT	
CG 50 LS	M24	50	45	8	74	45	50	150	1000	1.95 kg	

NICE & BENINCA
ABOVEGROUND
AUTOMATION

See page 32

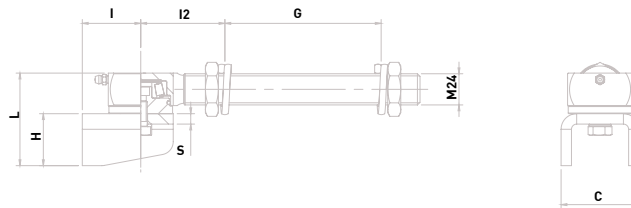


**ROLLING CENTER
 CG 50 LI**
 CONICAL BEARING
 WELD-ON BOTTOM HINGE
 WITH EXTENDED THREAD

CONICAL BEARING WELD-ON BOTTOM HINGE WITH EXTENDED THREAD

CG 50 LI

Yellow galvanised - conical bearing - weld-on hinge with extended bar



Dimensions in: mm											
CONICAL BEARING WELD-ON BOTTOM HINGE WITH EXTENDED THREAD											
REFERENCE	F	C	H	S	L	I	I2 (min)	G (max)	CAPACITY (kg)	WEIGHT	
CG 50 LI	M24	60	40	8	72	45	50	150	1000	1.85 KG	

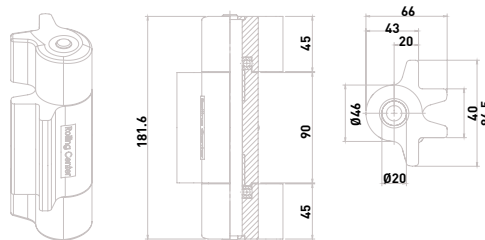


**ROLLING CENTER
 139 P**
 HEAVY DUTY ANTI-BURGLARY
 WELD-ON THREE WING IRON
 HINGE

HEAVY DUTY ANTI-BURGLARY WELD-ON THREE WING IRON HINGE

139P

Yellow galvanised - heavy duty - anti-burglary - three wing - up to 400kg



Dimensions in: mm			
HEAVY ANTI-BURGLARY WELD-ON THREE WING IRON HINGE			
REFERENCE	L	CAPACITY (kg)	WEIGHT
139 P	182	400	3 KG

**BEA LASER
 CURTAIN SAFETY
 SCANNER**



Turn to page **66**



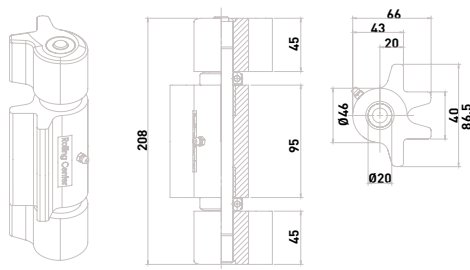
ROLLING CENTER
139 C
HEAVY DUTY SEPARABLE
WELD-ON THREE WING
IRON HINGE



HEAVY DUTY SEPARABLE WELD-ON THREE WING IRON HINGE

139C

Yellow galvanised - heavy duty - separable - three wing - up to 400kg



Dimensions in: mm			
HEAVY SEPARABLE WELD-ON THREE WING IRON HINGE			
REFERENCE	L	CAPACITY (kg)	WEIGHT
139 C	208	400	3.4 KG

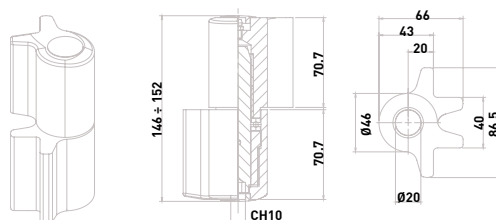
ROLLING CENTER
139 R
HEAVY DUTY ADJUSTABLE
WELD-ON THREE WING
IRON HINGE



HEAVY DUTY ADJUSTABLE WELD-ON THREE WING IRON HINGE

139R

Yellow galvanised - heavy duty - adjustable - three wing - up to 400kg



Dimensions in: mm			
HEAVY ADJUSTABLE WELD-ON THREE WING IRON HINGE			
REFERENCE	L	CAPACITY (kg)	WEIGHT
139 R	146±152	400	2.45 KG

VIDEX 4G GSM INTERCOM WITH KEYPAD

Turn to page **130**

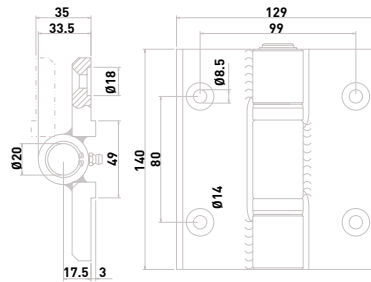


**ROLLING CENTER
 CRN1
 LARGE STEEL
 HINGE WITH TWO
 CENTER-LINE WINGS**

LARGE STEEL HINGE WITH TWO CENTER-LINE WINGS

CRN1

Yellow galvanized - two wing - up to 200kg



Dimensions in: mm		
LARGE STEEL HINGE FOR BI-FOLDING GATES		
REFERENCE	CAPACITY (kg)	WEIGHT
CRN 1	200	2.187 KG

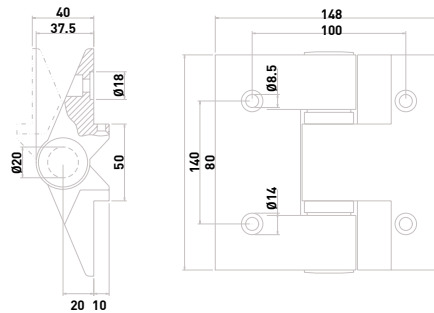


**ROLLING CENTER
 CRN1A
 LARGE BLACK ALLOY
 HINGE WITH TWO
 CENTER-LINE WINGS**

LARGE BLACK ALLOY HINGE WITH TWO CENTER-LINE WINGS

CRN1A

Black alloy - two wing - up to 150kg



Dimensions in: mm		
LARGE BLACK ALLOY HINGE FOR BI-FOLDING GATES		
REFERENCE	CAPACITY (kg)	WEIGHT
CRN 1 A	150	1.09 KG

**NEED ASSISTANCE
 WITH CHOOSING
 THE RIGHT KIT?**

Call us on
 0113 201 6677 our friendly
 team are here to help.

'24

2024 TRADE CATALOGUE

GATE HARDWARE
GATE AUTOMATION
ACCESS CONTROL
GATE SAFETY
ALUMINIUM GATES

TEL. 0113 201 6677

SECTION G

SLIDING GATE HARDWARE

CONCRETE-IN TRACK	228
BOLT-DOWN TRACK	230
TRAVEL STOPS	231
BOLT-THROUGH WHEELS	232
RECESS-IN WHEELS	233
BOLT-ON WHEELS	234
GUIDE PLATES	235
MEETING POINTS	237
U-GUIDE CHANNEL	238
GUIDE ROLLERS	239
RADIUS SLIDING GATE SYSTEM	242



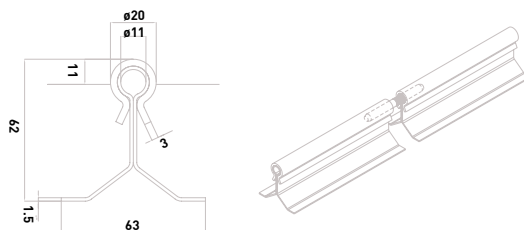
ROLLING CENTER OMEGA O-GROOVE CONCRETE-IN SLIDING GATE TRACK

Concrete-in ground track for sliding gates and industrial doors, **20mm** round for O groove wheels, supplied in modular **3m** lengths, galvanised finish with **3mm** hard carbon steel top rail. **53NO** joint pin supplied separately.



CONCRETE-IN SLIDING GATE TRACK - 3m length, supporting up to 1200kg

OMEGA Z3 NEW	Galvanised - 3m - concrete-in sliding gate track - up to 1200kg
SPARES & ACCESSORIES	
53NO	Galvanised Omega track joint pin



Dimensions in: mm		NEWOMEGA		
REFERENCE	LENGTH (mt)	DESCRIPTION / FINISH	GATE MAX WEIGHT	WEIGHT
NEW OMEGA Z3	3	TRACK GALVANISED	1200 KG	10.0 KG
53 NO	-	JOINT PIN GALVANISED	-	0.10 KG



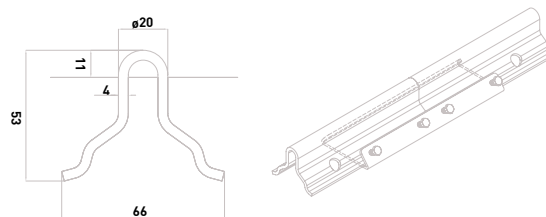
ROLLING CENTER IBBI O-GROOVE CONCRETE-IN SLIDING GATE TRACK

Galvanised concrete-in ground track for sliding gates. **20mm** round for O groove wheels. Multiple lengths are precisely aligned using the new **rapida** quick fix joint.



CONCRETE-IN SLIDING GATE TRACK - 3m length, supporting up to 1000kg

IBBI Z 3/4	Galvanised - 3m - concrete-in sliding gate track - up to 1000kg
SPARES & ACCESSORIES	
RAPIDA	IBBI track joint plate



Dimensions in: mm		IBBI		
REFERENCE	LENGTH (mt)	DESCRIPTION / FINISH	GATE MAX WEIGHT	WEIGHT
IBBI Z 3/4	3	TRACK GALVANISED	1000 KG	10.4 KG
RAPIDA	-	JOINT PLATE GALVANISED	-	0.60 KG

WE STOCK THE FULL RANGE OF SLIDING GATE AUTOMATION

See page ! for details



CONCRETE-IN SLIDING GATE TRACK - 3m length, supporting up to 700kg

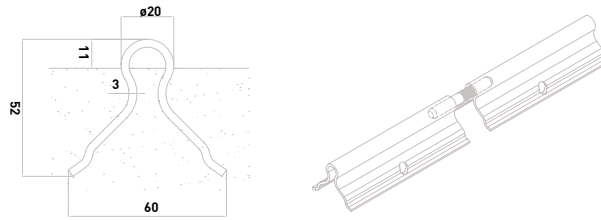
SISTEMA Z3

Galvanised - 3m - concrete-in sliding gate track - up to 700kg

SPARES & ACCESSORIES

53

Sistema track joint pin



REFERENCE	LENGTH (mt)	DESCRIPTION / FINISH	GATE MAX WEIGHT	WEIGHT
SISTEMA Z3	3	TRACK GALVANISED	700 KG	8.60 KG
53	-	JOINT PLATE GALVANISED	-	0.50 KG

Dimensions in: mm



ROLLING CENTER SISTEMA O-GROOVE CONCRETE-IN SLIDING GATE TRACK

Concrete-in ground track for sliding gates and industrial doors, **20mm** round for O groove wheels, supplied in modular **3m** lengths, galvanised finish. Multiple lengths are precisely aligned using the **53** alignment joint pin supplied separately.



HEAVY DUTY CONCRETE-IN SLIDING GATE TRACK - 3m length, supporting up to 3000kg

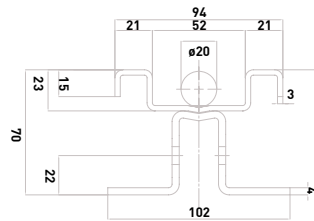
HEAVY Z3

Heavy duty galvanised - 3m - concrete-in sliding gate track - up to 3000kg

SPARES & ACCESSORIES

53/1

Heavy track joint plate



REFERENCE	LENGTH (mt)	DESCRIPTION / FINISH	GATE MAX WEIGHT	WEIGHT
HEAVY Z3	3	TRACK GALVANISED	3000 KG	16.47 KG
53/1	-	JOINT PLATE GALVANISED	-	0.36 KG

Dimensions in: mm



ROLLING CENTER HEAVY HEAVY DUTY O-GROOVE CONCRETE-IN SLIDING GATE TRACK

Flush-lay concrete-in ground track for heavy sliding gates and industrial doors, **20mm** solid round bar for O groove wheels, in **3m** modular lengths, galvanised finish. Alignment joint pin supplied separately **53/1**.

SCAN FOR WHATSAPP SALES





ROLLING CENTER FLOOR O-GROOVE BOLT-DOWN SLIDING GATE TRACK

Formed from one continuous piece of **3.5mm** structural grade steel, better suited to applications where welding to other steel work is required. Also available in a V profile (**ANGULA**).

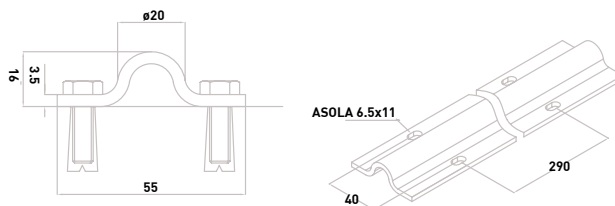
20mm round for O groove wheels, supplied in modular **3m** lengths, galvanised finish



BOLT-DOWN SLIDING GATE TRACK - 3m length, supporting up to 500kg

FLOOR Z3

Galvanised - 3m - bolt-down sliding gate track - up to 500kg



Dimensions in: mm		FLOOR		
REFERENCE	LENGTH (mt)	DESCRIPTION / FINISH	GATE MAX WEIGHT	WEIGHT
FLOOR Z3	3	TRACK GALVANISED	500 KG	5.32 KG



THE FOCUS ON INNOVATIONS

NEW 2022 GATE HARDWARE CATALOGUE
AVAILABLE NOW CALL TODAY FOR YOUR FREE COPY

Or download from our website www.rollingcenter.co.uk

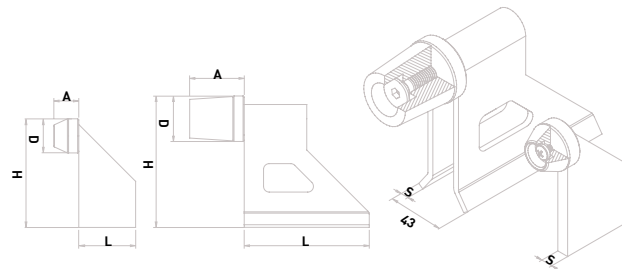




**ROLLING CENTER
 WELD-ON
 TRAVEL STOP**

WELD-ON TRAVEL STOP

F 30 Z	Travel stop - galvanised - weld-on - with 30mm diameter with rubber stop
F 40 Z	Travel stop - galvanised - weld-on - with 40mm diameter with rubber stop



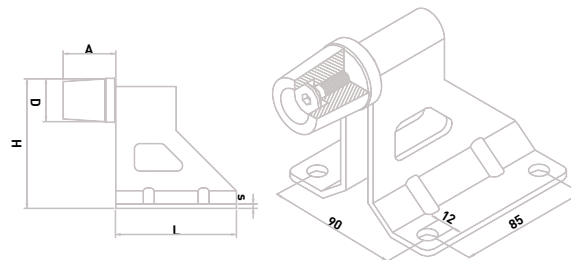
WELD-ON TRAVEL STOPS						Dimensions in: mm	
REFERENCE	D Ø	L	H	A	S	WEIGHT	
F 30 Z	30	50	95	23	8	0.28 KG	
F 40 Z	40	110	120	45	4	0.66KG	



**ROLLING CENTER
 BOLT-DOWN
 TRAVEL STOP**

BOLT-ON TRAVEL STOP

F 40 SZ	Travel stop - galvanised - bolt-on - with 40mm diameter with rubber stop
----------------	--



WELD-ON TRAVEL STOPS						Dimensions in: mm	
REFERENCE	D Ø	L	H	A	S	WEIGHT	
F 40 SZ	40	110	120	45	4	0.88 KG	

**NEED ASSISTANCE?
 CONTACT OUR
 TECHNICAL TEAM?**

Call us on
 0113 201 6677 or email
Info@rollingcenter.co.uk

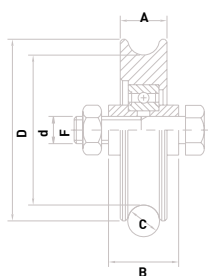


ROLLING CENTER
1 BEARING
O-GROOVE BOLT-THROUGH
SLIDING GATE WHEEL
FOR 20MM TRACKS



BOLT-THROUGH O-GROOVE WHEEL - 1 Bearing

8270	Yellow galvanised - bolt-through wheel - single bearing - 80mm diameter
10270	Yellow galvanised - bolt-through wheel - single bearing - 100mm diameter
12270	Yellow galvanised - bolt-through wheel - single bearing - 120mm diameter



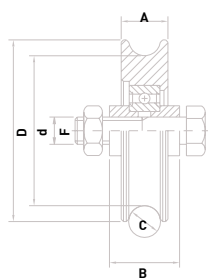
Dimensions in: mm									
SINGLE BEARING O-GROOVE BOLT-THROUGH WHEEL									
REFERENCE	D Ø	d Ø	A	B	C Ø	F (thread)	MIN BOX LxHxS	CAPACITY (kg)	WEIGHT
827 0	80	62	26	34	21	M14 x 60	80 x 40 x 3	190	0.75 KG
1027 0	100	81	26	34	21	M14 x 60	100 x 40 x 3	240	1.29 KG
1227 0	120	101	26	34	21	M14 x 60	120 x 40 x 3	270	1.93 KG

ROLLING CENTER
2 BEARING
O-GROOVE BOLT-THROUGH
SLIDING GATE WHEEL
FOR 20MM TRACKS



BOLT-THROUGH O-GROOVE WHEEL - 2 Bearing

8300	Yellow galvanised - bolt-through wheel - double bearing - 80mm diameter
10300	Yellow galvanised - bolt-through wheel - double bearing - 100mm diameter
12300	Yellow galvanised - bolt-through wheel - double bearing - 120mm diameter

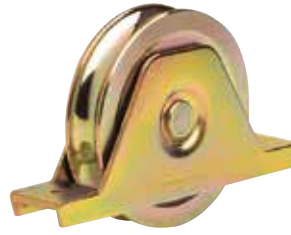


Dimensions in: mm									
DOUBLE BEARING O-GROOVE BOLT-THROUGH WHEEL									
REFERENCE	D Ø	d Ø	A	B	C Ø	F (thread)	MIN BOX LxHxS	CAPACITY (kg)	WEIGHT
830 0	80	60	30	44	21	M14 x 70	80 x 50 x 3	380	1.21 KG
1030 0	100	80	30	44	21	M14 x 70	100 x 50 x 3	450	1.49 KG
1230 0	120	100	30	44	21	M14 x 70	120 x 50 x 3	480	2.23 KG

**NICE NAKED KIT
SLIDING GATE
AUTOMATION**



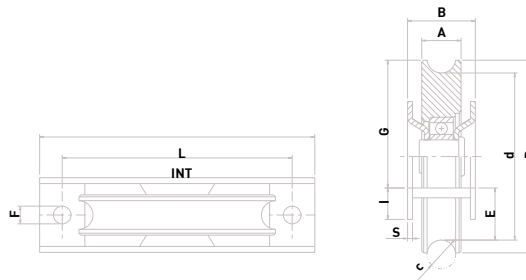
Turn to page !!!



ROLLING CENTER
1 BEARING
O-GROOVE RECESS-IN
SLIDING GATE WHEEL
FOR 20MM TRACKS

RECESS-IN O-GROOVE WHEEL - 1 Bearing

827PSO	Yellow galvanised - recess-in wheel - single bearing - 80mm diameter
1027PSO	Yellow galvanised - recess-in wheel - single bearing - 100mm diameter
1226PSO	Yellow galvanised - recess-in wheel - single bearing - 120mm diameter



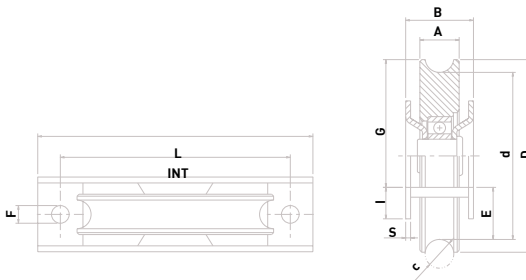
SINGLE BEARING O-GROOVE RECESS-IN WHEEL													Dimensions in: mm	
REFERENCE	D Ø	d Ø	A	B	C Ø	G	I	E	S	L	INT. x F	CAPACITY (kg)	WEIGHT	
827 PSO	80	61	26	34	21	59	16	15	2.5	140	117 x Ø9	190	0.85 KG	
1027 PSO	100	81	26	34	21	69	16	25	2.5	140	117 x Ø9	240	1.29 KG	
1226 PSO	120	101	26	34	21	88	17	21	3	186	150 x Ø9	270	2.1 KG	



ROLLING CENTER
2 BEARING
O-GROOVE RECESS-IN
SLIDING GATE WHEEL
FOR 20MM TRACKS

RECESS-IN O-GROOVE WHEEL - 2 Bearing

826PSO	Yellow galvanised - recess-in wheel - double bearing - 80mm diameter
1026PSO	Yellow galvanised - recess-in wheel - double bearing - 100mm diameter
1227PSO	Yellow galvanised - recess-in wheel - double bearing - 120mm diameter



DOUBLE BEARING O-GROOVE RECESS-IN WHEEL													Dimensions in: mm	
REFERENCE	D Ø	d Ø	A	B	C Ø	G	I	E	S	L	INT. x F	CAPACITY (kg)	WEIGHT	
826 PSO	80	60	26	34	21	58	12	11	2.5	140	117 x Ø9	280	0.93 KG	
1026 PSO	100	80	26	34	21	68	12	21	2.5	140	117 x Ø9	340	1.36 KG	
1227 PSO	120	100	26	34	21	88	14	25.5	3	185	151 x Ø9	430	2.25 KG	

MORE WHEEL SIZES AVAILABLE

Speak with our sales team for more information on 0113 201 6677 or email Info@rollingcenter.co.uk



ROLLING CENTER
1 OR 2 BEARING
O-GROOVE BOLT-ON
SLIDING GATE WHEEL
FOR 20MM TRACKS



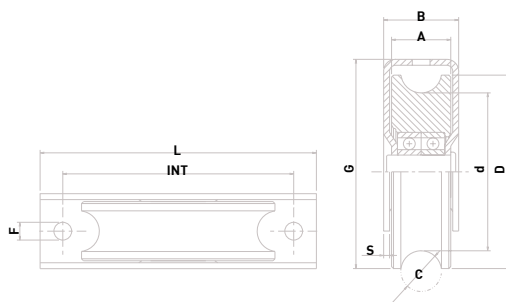
BOLT-ON O-GROOVE WHEEL - 1 & 2 Bearing

827PCO

Yellow galvanized - bolt-on wheel - single bearing - 80mm diameter

1030PCO

Yellow galvanized - bolt-on wheel - double bearing - 100mm diameter



Dimensions in: mm

REFERENCE	D Ø	d Ø	A	B	C Ø	G	S	L	INT. x F	CAPACITY (kg)	WEIGHT
827 PCO	80	62	26	36	21	82	3	120	90 x ø9	190	1.02 KG
1030 PCO	100	80	30	38	21	106	3	140	108 x ø9	350	1.89 KG

*Your
Gates Are
Safe in Our
Hands*



**GATE
HARDWARE
EXPERTS**

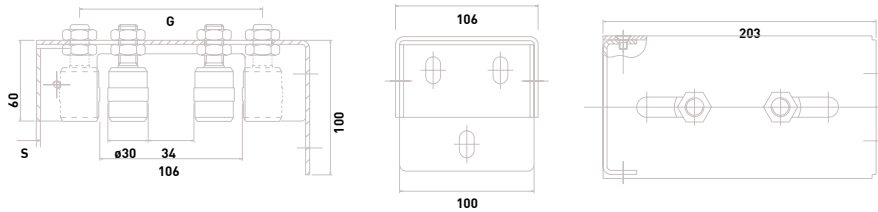


**ROLLING CENTER
2RGZ
WALL MOUNT
SLIDING GATE GUIDE
PLATE WITH ROLLERS**

GUIDE PLATE WITH ROLLERS - 37-106mm adjustable

2RGZ

Galvanised - adjustable guide plate - with 2 rollers - wall mount



SLIDING GATE GUIDE PLATE						Dimensions in: mm
REFERENCE	S	G (min/max)	ROLLERS (n°)	ROLLERS (type)	WEIGHT	
2 RG Z	3	106 / 37	2	CN30	1.4 KG	

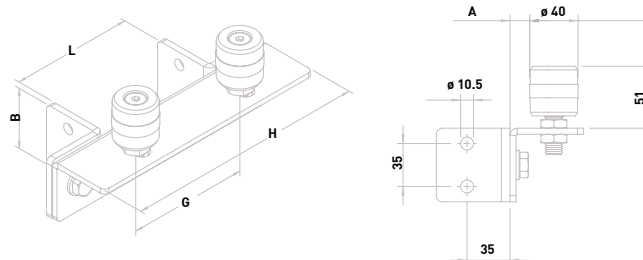


**ROLLING CENTER
2RGGZ
POST MOUNT
SLIDING GATE GUIDE
PLATE WITH ROLLERS**

RECESS-IN O-GROOVE WHEEL - 78-112mm adjustable

2RGGZ

Galvanised - adjustable guide plate - with 2 rollers - post mount



SLIDING GATE GUIDE PLATE									Dimensions in: mm
REFERENCE	L	H	G	A	B	ROLLERS Ø	ROLLERS (h)	WEIGHT	
2 RGG Z	78-112	240	120	8 ÷ 22	60	40	40	2.1 KG	

**ROLLING CENTER
WHATSAPP
TECHNICAL?**

Scan the QR code for instant help

Rolling Center Tech Support

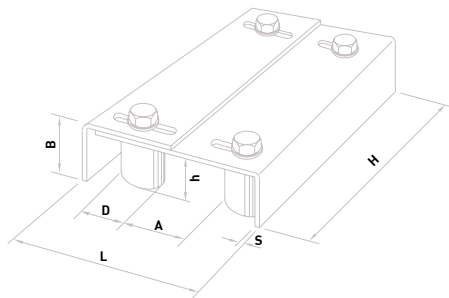


ROLLING CENTER
4RM / 4RG
POST MOUNT
SLIDING GATE GUIDE PLATE
WITH ROLLERS



MEDIUM GUIDE PLATE WITH ROLLERS - Adjustable

4RM	Galvanised - medium - adjustable guide plate - 35-53mm - with 4 rollers
4RG	Galvanised - large - adjustable guide plate - 55-105mm - with 4 rollers



Dimensions in: mm

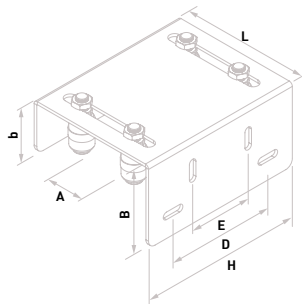
REFERENCE	L	H	S	A (min/max)	B	ROLLERS Ø	ROLLERS (h)	WEIGHT
4 RM	120 ±160	220	3	35 / 53	58	30	40	2.17 KG
4 RG	195 ±245	350	4	55 / 105	68	40	40	5.25 KG

ROLLING CENTER
4RMR / 4RGR
POST OR WALL MOUNT
SLIDING GATE GUIDE PLATE
WITH ROLLERS



LARGE GUIDE PLATE WITH ROLLERS - Adjustable

4RMR	Galvanised - medium - adjustable guide plate - 0-90mm - with 4 rollers
4RGR	Galvanised - large - adjustable guide plate - 0-120mm - with 4 rollers

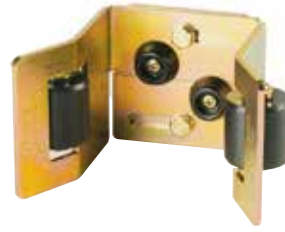


Dimensions in: mm

REFERENCE	A (min/max)	b	B	ROLLERS Ø	ALT ROL Ø	HOLES	E	D	H	L	WEIGHT
4 RM R	0 ±90	70	110	30	40	30 x 10	85	145	220	175	2.8 KG
4 RG R	0 ±120	80	150	40	40	35 x 10	150	175	300	230	5.3 KG

NEED SLIDING GATE LOCKS?

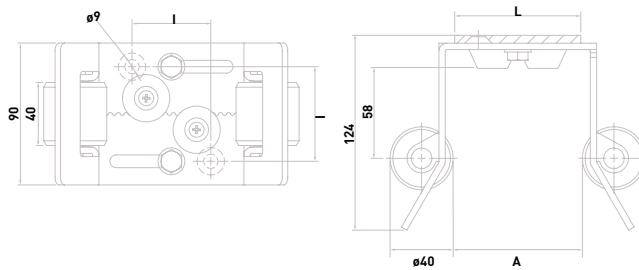
See page !!! for details



**ROLLING CENTER
50R P/S**
POST MOUNT
SLIDING GATE
ADJUSTABLE MEETING
POINT WITH ROLLERS

ADJUSTABLE MEETING POINT WITH ROLLERS - Adjustable, post mount

50 RP	Yellow galvanised - adjustable meeting point - 40-80mm - with 2 rollers
50 RS	Yellow galvanised - adjustable meeting point - 80-150mm - with 2 rollers



ADJUSTABLE MEETING POINT WITH ROLLERS

Dimensions in: mm

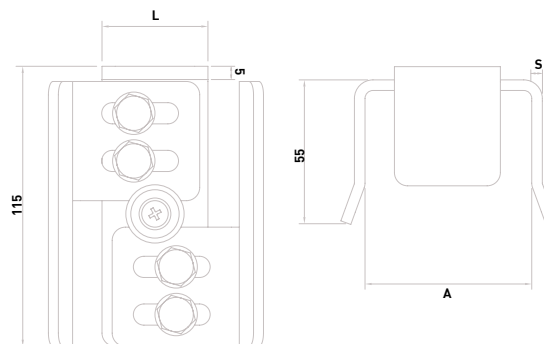
REFERENCE	A	lxI	L	WEIGHT
50 RP	40 ÷ 80	20 x 60	60	1.2 KG
50 RS	80 ÷ 150	50 x 60	80	1.32 KG



**ROLLING CENTER
50S**
POST MOUNT
SLIDING GATE TOP
ADJUSTABLE MEETING POINT

TOP ADJUSTABLE MEETING POINT - Adjustable

50S	Yellow galvanised - adjustable top meeting point - 44-84mm
-----	--



TOP ADJUSTABLE MEETING POINT

Dimensions in: mm

REFERENCE	A	S	L	WEIGHT
50 S	44 ÷ 84	4	40	0.72 KG

**CAN'T SEE WHAT
YOU'RE LOOKING
FOR?**

Our friendly team are here to help.
Call us on **0113 201 6677** or email Info@rollingcenter.co.uk



ROLLING CENTER
58
U-GUIDE CHANNEL FOR
SLIDING GATES



U-GUIDE CHANNEL - 40 - 80mm internal dimension

58/40Z	Galvanised - U-guide channel - 3m - for 40mm rollers
58/40G	Non-galvanised - U-guide channel - 3m - for 40mm rollers
58/48Z	Galvanised - U-guide channel - 3m - for 48mm rollers
58/48G	Non-galvanised - U-guide channel - 3m - for 48mm rollers
58/60Z	Galvanised - U-guide channel - 3m - for 60mm rollers
58/60G	Non-galvanised - U-guide channel - 3m - for 60mm rollers
58/65Z	Galvanised - U-guide channel - 3m - for 65mm rollers
58/65G	Non-galvanised - U-guide channel - 3m - for 65mm rollers
58/70Z	Galvanised - U-guide channel - 3m - for 70mm rollers
58/70G	Non-galvanised - U-guide channel - 3m - for 70mm rollers
58/80Z	Galvanised - U-guide channel - 3m - for 80mm rollers
58/80G	Non-galvanised - U-guide channel - 3m - for 80mm rollers



**ROLLING CENTER
COMPOSITE
FENCE BOARDS**

Turn to page **258**

Dimensions in: mm

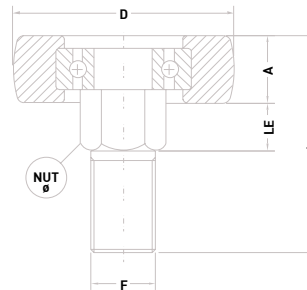
REFERENCE	L	H	S	FINISH / LEGNTH	WEIGHT
58/40Z	42	35	3	GALVANISED / 3M	7.80 KG
58/40G	42	35	3	NON-GALVANISED / 3M	7.80 KG
58/48Z	50	35	3	GALVANISED / 3M	8.50 KG
58/48G	50	35	3	NON-GALVANISED / 3M	8.50 KG
58/60Z	62	40	3	GALVANISED / 3M	10.00 KG
58/60G	62	40	3	NON-GALVANISED / 3M	10.00 KG
58/65Z	67	40	3	GALVANISED / 3M	10.50 KG
58/65G	67	40	3	NON-GALVANISED / 3M	10.50 KG
58/70Z	72	40	3	GALVANISED / 3M	10.95 KG
58/70G	72	40	3	NON-GALVANISED / 3M	10.95 KG
58/80Z	82	45	3	GALVANISED / 3M	12.00 KG
58/80G	82	45	3	NON-GALVANISED / 3M	12.00 KG



**ROLLING CENTER
RNF**
NYLON GUIDE ROLLERS
WITH BEARING FOR
U-GUIDE CHANNEL

NYLON GUIDE ROLLERS WITH BEARING - 40 - 80mm diameter

RNF 40	Nylon - roller with bearings - 40mm diameter - M14 thread
RNF 48	Nylon - roller with bearings - 48mm diameter - M14 thread
RNF 60	Nylon - roller with bearings - 60mm diameter - M20 thread
RNF 65	Nylon - roller with bearings - 65mm diameter - M20 thread
RNF 70	Nylon - roller with bearings - 70mm diameter - M20 thread
RNF 80	Nylon - roller with bearings - 80mm diameter - M20 thread



Dimensions in: mm		NYLON GUIDE ROLLER					Dimensions in: mm	
REFERENCE	D Ø	A	F (thread)	NUT Ø	LE	L	WEIGHT	
RNF 40	40	15	M 14 x 40	17	8	64	0.13 KG	
RNF 48	48	15	M 14 x 40	17	8	64	0.14 KG	
RNF 60	60	19	M 20 x 40	22	13	72	0.31 KG	
RNF 65	65	19	M 20 x 40	22	13	72	0.33 KG	
RNF 70	70	19	M 20 x 40	22	13	72	0.34 KG	
RNF 80	80	23	M 20 x 40	22	10	73	0.42 KG	

**INTERESTED IN AN
ALUMINIUM GATE?
TAKE A LOOK AT
OUR FULL RANGE OF
MADE TO MEASURE
ALUMINIUM GATES**

See page **235** for details

ALUMINIUM GATES

High quality, extensive range from the premier French aluminium gate manufacturer, with over 60 years of industry experience.



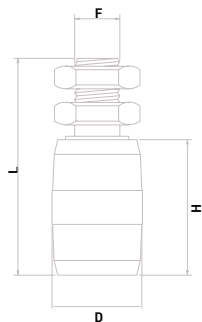


ROLLING CENTER
CN
BLACK NYLON ROLLERS
WITHOUT BEARINGS



BLACK NON-BEARING NYLON ROLLERS - 25-42mm diameter

CN 25	Black nylon - no bearings roller - 25mm diameter - M14 thread
CN 28	Black nylon - no bearings roller - 28mm diameter - M14 thread
CN 30	Black nylon - no bearings roller - 30mm diameter - M14 thread
CN 32	Black nylon - no bearings roller - 32mm diameter - M14 thread
CN 40	Black nylon - no bearings roller - 40mm diameter - M20 thread
CN 42	Black nylon - no bearings roller - 42mm diameter - M20 thread
CN 40/M14	Black nylon - no bearings roller - 40mm diameter - M14 thread
CN 60	Black nylon - no bearings roller - 60mm diameter - M20 thread



Dimensions in: mm

REFERENCE	D Ø	H	L Ø	F (thread)	WEIGHT
CN 25	25	40	71	M 14	0.134 KG
CN 28	28	40	71	M 14	0.14 KG
CN 30	30	40	71	M 14	0.144KG
CN 32	32	40	71	M 14	0.148KG
CN 40	40	60	96	M 20	0.385 KG
CN 42	42	60	96	M 20	0.395 KG
CN 40/M14	40	40	73	M 14	0.175 KG
CN 60	60	60	96	M 20	0.525 KG



WHATSAPP
TECHNICAL
SUPPORT

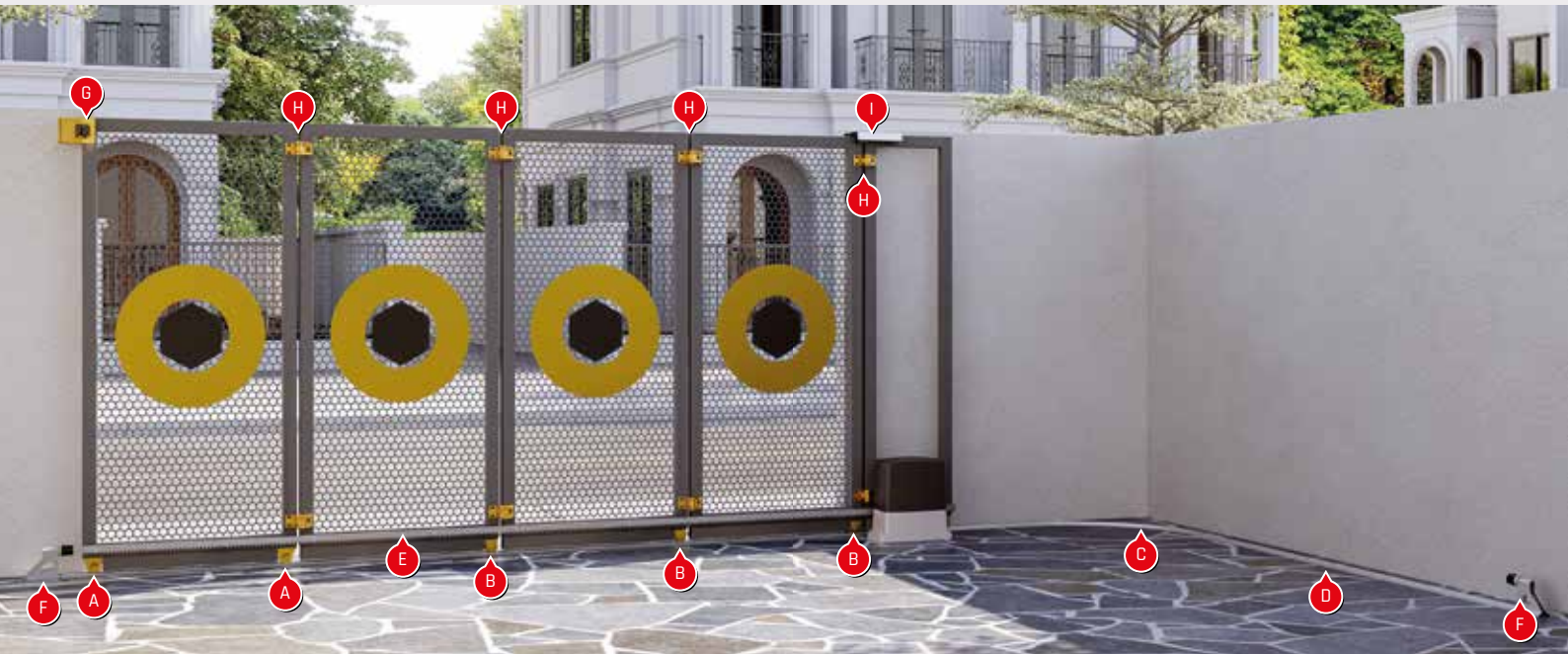


SCAN FOR
SUPPORT





A large area of the page is filled with horizontal dashed lines, providing a template for handwritten notes.



**ROLLING CENTER
RADIUS
CORNER RADIUS SWING
GATE SYSTEM**

A



518 PC016
820 PC016

B



518 G016
820 G016

C



FL16/50
FL16/95

D



FLOORZ3-16

E



47
48
49

F



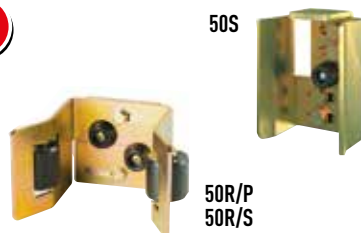
F40SZ

I



2 RP
4 RP
4 RM
4 RMG
4 RMR
4 RGR
2 RG

G



50S

50R/P
50R/S

H



CRS1

**ROLLING CENTER
WHATSAPP
TECHNICAL?**

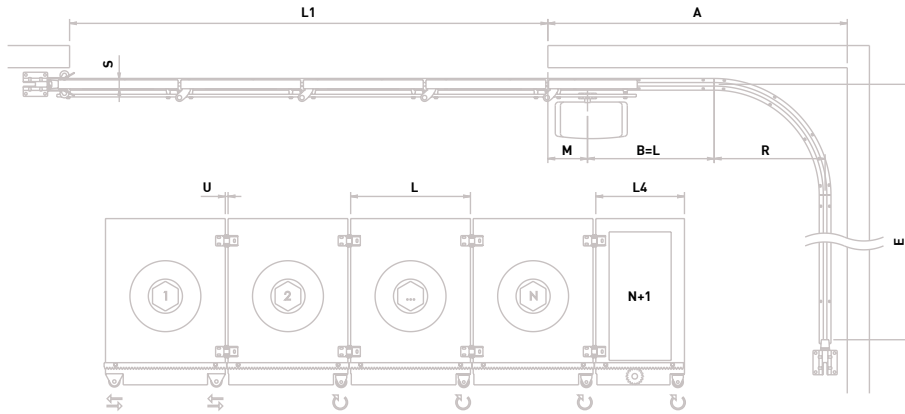
Scan the QR code for instant help



Rolling Center Tech Support



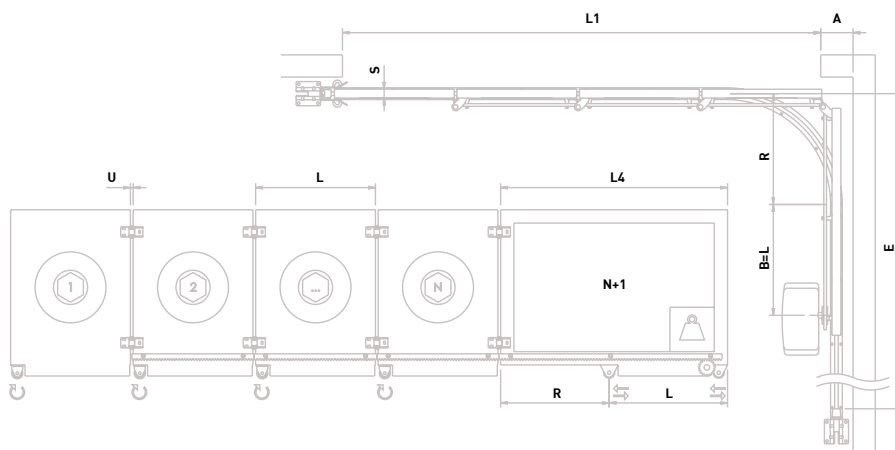
IN-LINE MOUNTED MOTOR POSITION CONFIGURATION



**ROLLING CENTER
 RADIUS
 CORNER RADIUS SLIDING
 GATE HARDWARE IN-LINE-
 MOTOR POSITION
 CONFIGURATION**

Dimensions in: mm		RADIUS - STANDARD MOTOR POSITION CONFIGURATION		Dimensions in: mm
EQUATION CALCULATIONS				
$5 \leq U \leq 25\text{mm}$; $40 \leq S \leq 80\text{mm}$	$M \geq 200\text{mm}$	$L = L1/N - U$	$2^*M \leq L4 \leq L$	
$R = 500 \leftrightarrow L \leq 750\text{mm}$	$R = 950 \leftrightarrow L \leq 1300\text{mm}$	$A = M+L+R+100\text{mm}$	$E \approx L1+L4-L-R$	

SIDE MOUNTED MOTOR POSITION CONFIGURATION



**ROLLING CENTER
 RADIUS
 CORNER RADIUS SLIDING
 GATE HARDWARE SIDE
 MOUNTED MOTOR POSITION
 CONFIGURATION**

Dimensions in: mm		RADIUS - SIDE MOTOR POSITION CONFIGURATION		Dimensions in: mm
EQUATION CALCULATIONS				
$5 \leq U \leq 25\text{mm}$; $40 \leq S \leq 80\text{mm}$	$L = L1/N - U \leftrightarrow R \leq 1.4^*R$	$R = 500 \leftrightarrow L \leq 750\text{mm}$	$R = 950 \leftrightarrow L \leq 1300\text{mm}$	
$L4 = L+R$	$A = S+U/2+115\text{mm}$	$E = L1+L4+R/2$		

**LOOKING FOR
 SLIDING GATE
 AUTOMATION
 EQUIPMENT?**

Visit
www.rollingcenter.co.uk
 or call 0113 201 6677 for
 more information.

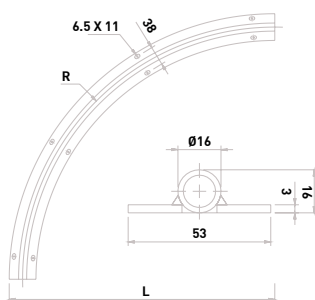


**ROLLING CENTER
FL16
RADIUS CORNER
CONNECTOR TRACK**



RADIUS CORNER CONNECTOR TRACK

FL16/50	Corner connector track - 16mm round bar - L=527mm
FL16/95	Corner connector track - 16mm round bar - L=977mm



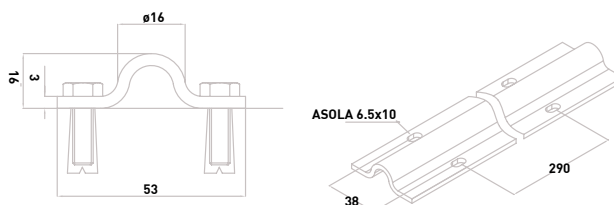
RADIUS CORNER CONNECTOR TRACK					
REFERENCE	R	L	MAX PANEL WIDTH	CAPACITY	WEIGHT
FL16/50	500	527	750	250 KG	11.3 KG
FL16/95	950	977	1300	250 KG	2.5 KG

**ROLLING CENTER
FLOOR16
16MM O-GROOVE
BOLT-DOWN
SLIDING GATE TRACK**



RADIUS BOLT-DOWN SLIDING GATE TRACK - 3m length, supporting up to 400kg

FLOORZ3-16	Galvanised - 3m - 16mm O-groove - bolt-down sliding gate track
------------	--



Dimensions in: mm		FLOOR		
REFERENCE	LENGTH (mt)	DESCRIPTION / FINISH	GATE MAX WEIGHT	WEIGHT
FLOOR Z3/16	3	TRACK GALVANISED	400 KG	5.32 KG

**NEED PRE OR POST
SALES TECHNICAL
SUPPORT?
OUR FRIENDLY
TEAM ARE HERE TO
HELP**

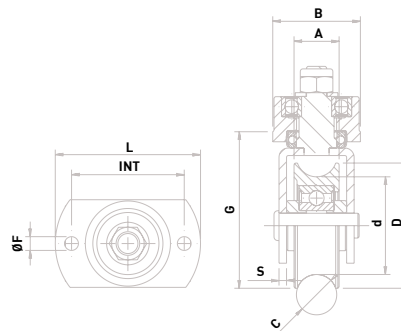
Call us on
0113 201 6677 or email
Info@rollingcenter.co.uk



**ROLLING CENTER
RADIUS
1 BEARING
O-GROOVE WELD-ON
SLIDING GATE WHEEL
FOR 16MM TRACKS**

WELD-IN O-GROOVE WHEEL - 1 Bearing

518 G016	Yellow galvanized - weld-on - single bearing - swivel support - 50mm diameter
820 G016	Yellow galvanized - weld-on - single bearing - swivel support - 80mm diameter



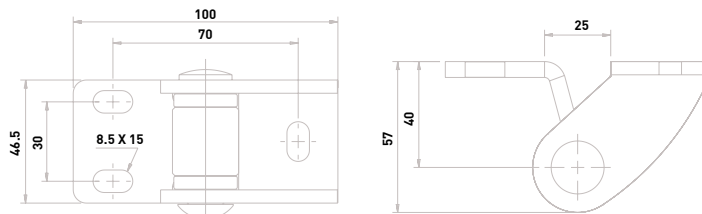
RADIUS SINGLE BEARING 16MM O-GROOVE WELD-ON WHEEL											Dimensions in: mm	
REFERENCE	D Ø	d Ø	A	B	C Ø	G	S	L	INT X F	CAPACITY (kg)	WEIGHT	
518 G016	50	39	18	35	16	62.5	3	58	45 X Ø5.5	80	0.45 KG	
820 G016	80	63	20	38	16	91.5	3	58	49 X Ø5.5	160	0.86 KG	



**ROLLING CENTER
RADIUS
RAISED HINGE FOR
RADIUS GATES**

WELD-ON RAISED HINGE

CR S1	Yellow galvanized - weld-on raised hinge for sectional doors
-------	--



RADIUS WELD-ON RAISED HINGE		Dimensions in: mm
REFERENCE	WEIGHT	
CR S1	1.56 KG	

**NEED MORE
INFORMATION
ON GATE
AUTOMATION?**

Call our friendly sales team on **0113 201 6677** or email Info@rollingcenter.co.uk

'24
24

2024 TRADE CATALOGUE

GATE HARDWARE
GATE AUTOMATION
ACCESS CONTROL
GATE SAFETY
ALUMINIUM GATES

TEL. 0113 201 6677

SECTION H

CANTILEVER GATE HARDWARE

GATE KITS	248
GATE CARRIAGES	253
SUPER SILENT GATE KITS	255
SUPER SILENT CARRIAGES	259
SUPPORT WHEELS	261
MEETING POINTS	262
TENSION ROD	263
FIXING KITS	264
GUIDE ROLLERS	264
CANTILEVER TRACK CHART	265



ROLLING CENTER MINI CANTILEVER KITS

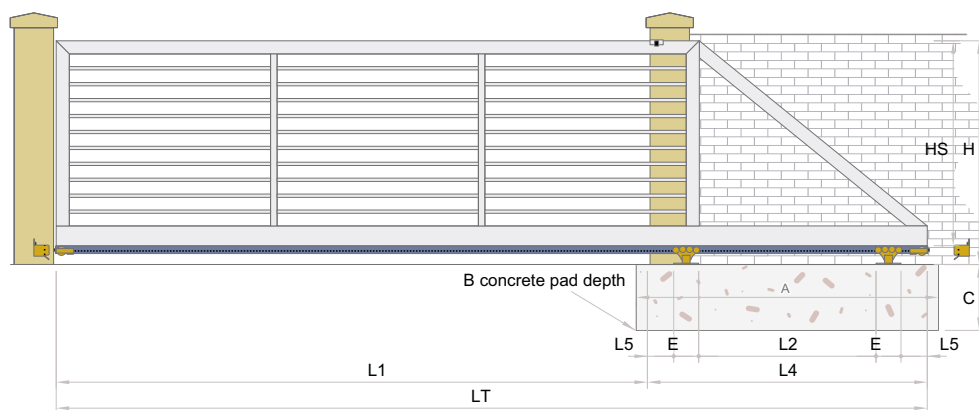
- 2 x CA4RPS 8 wheeled carriages
- 2 x 50B Meeting points
- 2 x 41B/SPEC Support wheels
- GIPI4 RPZ6/3 6 or 3m galvanised track
- GIPI4 RP6/3 6 or 3m non-galvanised track



CANTILEVER KITS - For gates up to 6m clear opening. Max weight 450kg

MINIKIT 1	6m cantilever kit - up to 450kg - with 1x 6m galvanised track
MINIKIT 2	6m cantilever kit - up to 450kg - with 2x 3m galvanised tracks
MINIKIT 4	6m cantilever kit - up to 450kg - with 1x 6m non-galvanised track
MINI CANTILEVER TRACKS	
GIPI4 RPZ6	6m mini galvanised cantilever track
GIPI4 RPZ3	3m mini galvanised cantilever track
GIPI4 RP6	6m mini non-galvanised cantilever track
GIPI4 RP3	3m mini non-galvanised cantilever track
MINI CANTILEVER COMPONENTS	
CA4RPS	8 wheeled mini carriage
50B	Meeting point
41B/SPEC	Support wheel

TECHNICAL INFO:



$$\Sigma LT = L1 + L4 \quad | \quad L5 = 30\% \div L1 \quad | \quad L4 = L2 + (E + L5) \times 2$$

Dimensions in: mt											
MINI											
GATE MAX WEIGHT	L1	L2	L4	L5	LT	H	E	A	B	C	CARRIAGE STRENGTH
450 KG	3.0	0.9	1.66	0.2	4.7	1.7	0.19	1.8	0.6	0.5	900 KG
450 KG	4.0	1.2	1.96	0.2	6.0	1.7	0.19	2.0	0.6	0.5	900 KG
450 KG	5.0	1.5	2.26	0.2	7.3	1.7	0.19	2.3	0.8	0.5	900 KG
450 KG	6.0	1.8	2.56	0.2	8.6	1.7	0.19	2.6	0.8	0.5	900 KG

GATE SAFETY PRODUCTS

See page 59



CANTILEVER KITS - For gates up to 8m clear opening. Max weight 600kg

MEDIUMKIT 2	9m cantilever kit - up to 600kg - with 2x 4.5m galvanised tracks
MEDIUMKIT 3	6m cantilever kit - up to 600kg - with 1x 6m galvanised track
MEDIUMKIT 7	6m cantilever kit - up to 600kg - with 1x 6m non-galvanised track
MEDIUMKIT 8	9m cantilever kit - up to 600kg - with 1x 6m & 1x 3m non-galvanised tracks
MEDIUMKIT 9	7.5m cantilever kit - up to 600kg - with 1x 4.5 & 1x 3m galvanised track

MEDIUM CANTILEVER TRACKS

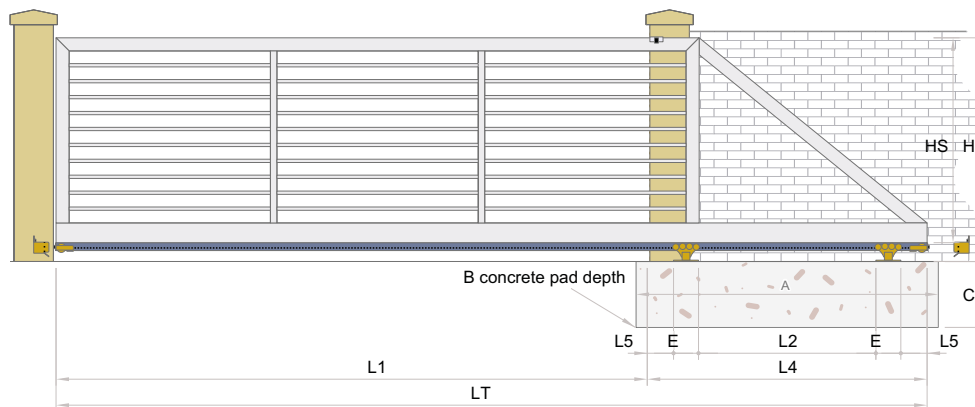
GIPI 5 RGZ6	6m medium galvanised cantilever track
GIPI 5 RGZ4.5	4.5m medium galvanised cantilever track
GIPI 5 RGZ3	3m medium galvanised cantilever track
GIPI 5 RG6	6m medium non-galvanised cantilever track
GIPI 5 RG3	3m medium non-galvanised cantilever track

MEDIUM CANTILEVER COMPONENTS

CA4RS	8 wheeled medium carriage
50P	Meeting point
41P/SPEC	Support wheel

- 2 x CA4RS 8 wheeled carriages
- 2 x 50P Meeting points
- 2 x 41P/SPEC Support wheels
- GIPI5 RGZ 6/3 6 or 3m galvanised track
- GIPI5 RGZ 4,5 4.5m galvanised track
- GIPI5 RG 6/3 6 or 3m non-galvanised track

TECHNICAL INFO:



$\Sigma LT = L1 + L4 \mid L5 = 30\% \div L1 \mid L4 = L2 + (E + L5) \times 2$

MEDIUM											
GATE MAX WEIGHT	L1	L2	L4	L5	LT	H	E	A	B	C	CARRIAGE STRENGTH
600 KG	4.0	1.2	2.2	0.2	6.2	1.7	0.3	2.5	0.6	0.5	1200 KG
600 KG	5.0	1.5	2.5	0.2	7.5	1.7	0.3	2.8	0.6	0.5	1200 KG
600 KG	6.0	1.8	2.8	0.2	8.8	1.7	0.3	3.2	0.6	0.5	1200 KG
600 KG	7.0	2.1	3.1	0.2	10.1	1.7	0.3	3.7	0.6	0.5	1200 KG
600 KG	8.0	2.4	3.4	0.2	11.4	1.7	0.3	3.7	0.6	0.5	1200 KG

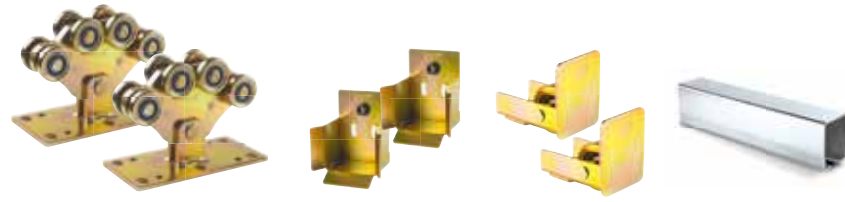
NEED ASSISTANCE WITH CALCULATING YOUR CANTILEVER SYSTEM?

Contact us for assistance and details of our online cantilever calculator.



ROLLING CENTER H900 CANTILEVER KITS

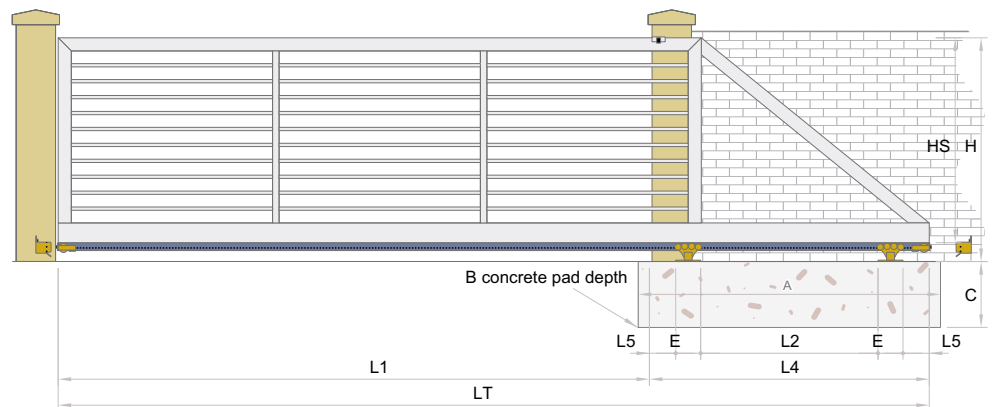
- 2 x H900-2 8 wheeled carriages
- 2 x 50H Meeting points
- 2 x 41H/SPEC Support wheels
- GIPI5 RHZ 3 3m galvanised track
- GIPI5 RHZ 4 4m galvanised track
- GIPI5 RHZ 6 6m galvanised track



CANTILEVER KITS - For gates up to 10m clear opening. Max weight 900kg

H900KIT 1	9m cantilever kit - up to 900kg - with 1x 6m & 1x 3m galvanised tracks
H900KIT 2	10m cantilever kit - up to 900kg - with 1x 6m & 1x 4m galvanised tracks
H900KIT 3	12m cantilever kit - up to 900kg - with 2x 6m galvanised tracks
H900KIT 4	15m cantilever kit - up to 900kg - with 2x 6m & 1x 3m galvanised tracks
H900 CANTILEVER TRACKS	
GIPI 5 RHZ3	3m H900 galvanised cantilever track
GIPI 5 RHZ4	4m H900 galvanised cantilever track
GIPI 5 RHZ6	6m H900 galvanised cantilever track
H900 CANTILEVER COMPONENTS	
H900-2	8 wheeled H900 carriage
50H	Meeting point
41H/SPEC	Support wheel

TECHNICAL INFO:

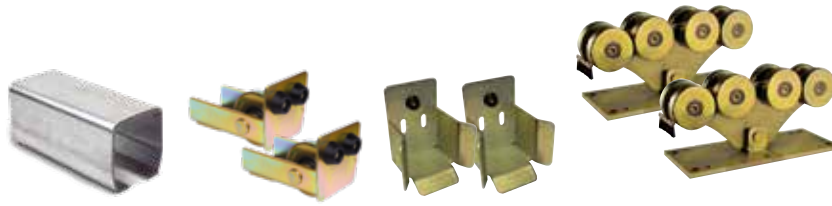


$$\sum LT = L1 + L4 \quad | \quad L5 = 30\% \div L1 \quad | \quad L4 = L2 + (E + L5) \times 2$$

Dimensions in: mt											
H900											
GATE MAX WEIGHT	L1	L2	L4	L5	LT	H	E	A	B	C	CARRIAGE STRENGTH
900 KG	6.0	1.8	2.8	0.2	8.8	1.7	0.3	3.1	0.6	0.5	1800 KG
900 KG	7.0	2.1	3.1	0.2	10.1	1.7	0.3	3.4	0.6	0.5	1800 KG
900 KG	8.0	2.4	3.4	0.2	11.4	1.7	0.3	3.7	0.6	0.5	1800 KG
900 KG	9.0	2.7	3.7	0.2	12.7	1.7	0.3	4.0	0.6	0.5	1800 KG
900 KG	10.0	3.0	4.0	0.2	14.0	1.7	0.3	4.3	0.6	0.5	1800 KG

**NICE
ROBUS KIT 3
SLIDING GATE KIT
UP TO 1000KG**

Turn to page 12



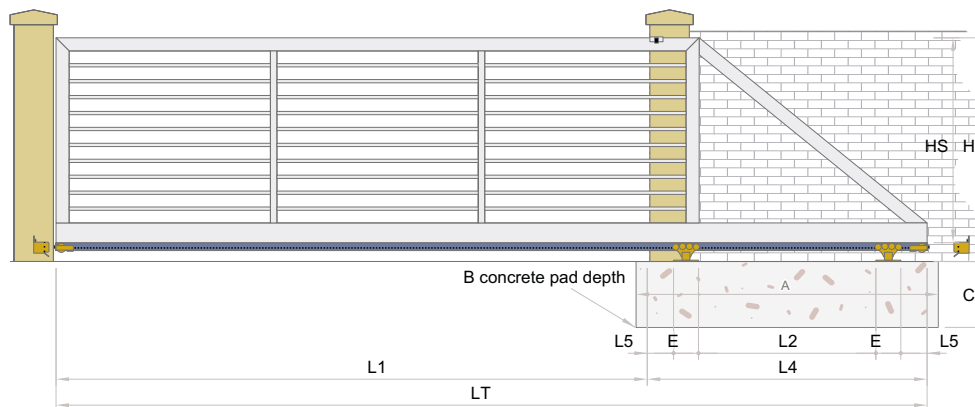
CANTILEVER KITS - For gates up to 16m clear opening. Max weight 1200kg

MAGNUMKIT 1	12m cantilever kit - up to 1200kg - with 2x 6m galvanised track
MAGNUMKIT 4	9m cantilever kit - up to 1200kg - with 1x 6m & 1x 3m galvanised track
MAGNUMKIT 5	12m cantilever kit - up to 1200kg - with 2x 6m non-galvanised track
MAGNUMKIT 6	9m cantilever kit - up to 1200kg - with 1x 6m & 1x 3m non-galvanised track
MAGNUM CANTILEVER TRACKS	
GIPI6 RMZ6	6m magnum galvanised cantilever track
GIPI6 RMZ3	3m magnum galvanised cantilever track
GIPI6 RM6	6m magnum non-galvanised cantilever track
GIPI6 RM3	3m magnum non-galvanised cantilever track
MAGNUM CANTILEVER COMPONENTS	
CA4RMS	8 wheeled magnum carriage
50G	Meeting point
41G/SPEC	Support wheel

**ROLLING CENTER
MAGNUM
CANTILEVER KITS**

- 2 x CA4RMS 8 wheeled carriages
- 2 x 50G Meeting points
- 2 x 41G/SPEC Support wheels
- GIPI6 RMZ 6/3 6 or 3m galvanised track
- GIPI6 RM 6/3 6 or 3m non-galvanised track

TECHNICAL INFO:



$\Sigma LT = L1 + L4 \quad L5 = 30\% \div L1 \quad L4 = L2 + (E + L5) \times 2$

MAGNUM											
GATE MAX WEIGHT	L1	L2	L4	L5	LT	H	E	A	B	C	CARRIAGE STRENGTH
1200 KG	9.0	2.7	4.04	0.2	13.0	1.7	0.47	4.2	0.6	0.5	2400 KG
1200 KG	10.0	3.0	4.34	0.2	14.3	1.7	0.47	4.2	0.6	0.5	2400 KG
1200 KG	11.0	3.3	4.64	0.2	15.6	1.7	0.47	4.8	0.8	0.6	2400 KG
1200 KG	12.0	3.6	4.94	0.2	16.9	1.7	0.47	4.8	0.8	0.6	2400 KG
1200 KG	13.0	3.9	5.24	0.2	18.2	1.7	0.47	5.4	0.8	0.6	2400 KG
1200 KG	14.0	4.2	5.54	0.2	19.5	1.7	0.47	5.4	0.8	0.6	2400 KG
1200 KG	15.0	4.5	5.84	0.2	20.8	1.7	0.47	6.0	0.8	0.6	2400 KG
1200 KG	16.0	4.8	6.14	0.2	22.1	1.7	0.47	6.2	0.8	0.6	2400 KG

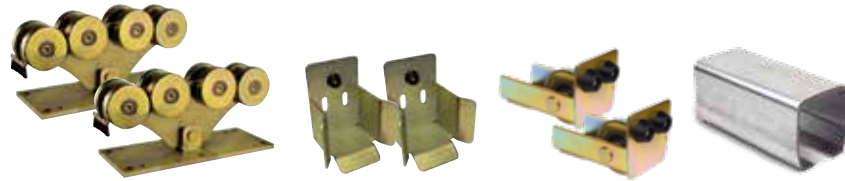
**NEED ASSISTANCE
WITH CHOOSING
THE RIGHT KIT?**

Call us on
0113 201 6677 our friendly
team are here to help.



ROLLING CENTER MAGNUM2 CANTILEVER KITS

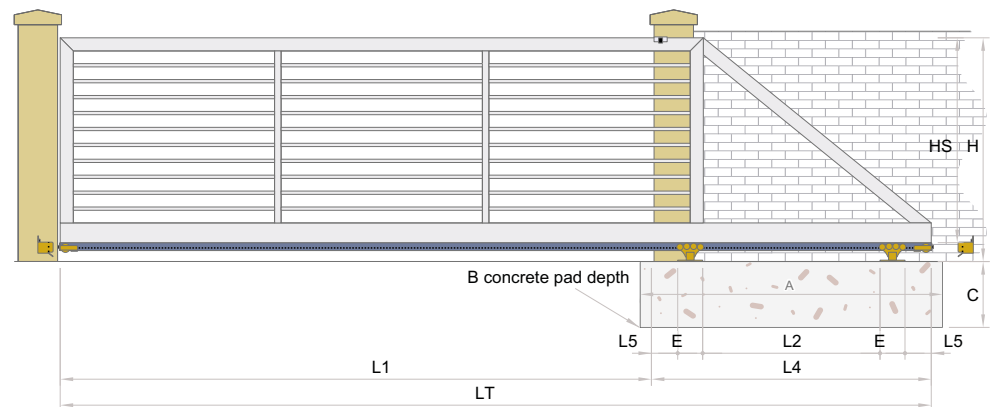
- 2 x CA4RMS2 8 wheeled carriages
- 2 x 50G Meeting points
- 2 x 41G/SPEC Support wheels
- GIPI4 RM2C6 6m hot-dip galvanised track
- GIPI4 RM2C3 3m hot-dip galvanised track
- GIPI4 RM26 6m non-galvanised track
- GIPI4 RM23 3m non-galvanised track



CANTILEVER KITS - For gates up to 18m clear opening. Max weight 2200kg

MAGNUM2KIT 1	12m cantilever kit - up to 2200kg - with 2x 6m hot-dip galvanised track
MAGNUM2KIT 2	24m cantilever kit - up to 2200kg - with 4x 6m hot-dip galvanised track
MAGNUM2KIT 3	12m cantilever kit - up to 2200kg - with 2x 6m non-galvanised track
MAGNUM2 CANTILEVER TRACKS	
GIPI4 RM2C6	6m magnum2 hot-dip galvanised cantilever track
GIPI4 RM2C3	3m magnum2 hot-dip galvanised cantilever track
GIPI4 RM26	6m magnum2 non-galvanised cantilever track
GIPI4 RM23	3m magnum2 non-galvanised cantilever track
MAGNUM2 CANTILEVER COMPONENTS	
CA4RMS2	8 wheeled magnum2 carriage
50G	Meeting point
41G/SPEC	Support wheel

TECHNICAL INFO:



$$\Sigma LT = L1 + L4 \quad L5 = 30\% \div L1 \quad L4 = L2 + (E + L5) \times 2$$

**MICROTRONICS
BLUEFORCE
GATE
FORCE TESTER
KIT**

Turn to page **69**

Dimensions in: mt		MAGNUM2										
GATE MAX WEIGHT	L1	L2	L4	L5	LT	H	E	A	B	C	CARRIAGE STRENGTH	
2200 KG	9.0	2.7	4/04	0.2	13.0	1.7	0.47	4.2	0.6	0.5	4400 KG	
2200 KG	10.0	3.0	4.34	0.2	14.3	1.7	0.47	4.2	0.6	0.5	4400 KG	
2200 KG	11.0	3.3	4.64	0.2	15.6	1.7	0.47	4.8	0.8	0.6	4400 KG	
2200 KG	12.0	3.6	4.94	0.2	16.9	1.7	0.47	4.8	0.8	0.6	4400 KG	
2200 KG	13.0	3.9	5.24	0.2	18.2	1.7	0.47	5.4	0.8	0.6	4400 KG	
2200 KG	14.0	4.2	5.54	0.2	19.5	1.7	0.47	5.6	1.0	0.8	4400 KG	
2200 KG	15.0	4.5	5.84	0.2	20.8	1.7	0.47	6.0	1.0	0.8	4400 KG	
2200 KG	16.0	4.8	6.14	0.2	22.1	1.7	0.47	6.2	1.0	0.8	4400 KG	
2200 KG	17.0	5.1	6.44	0.2	23.4	1.7	0.47	6.5	1.0	0.8	4400 KG	
2200 KG	18.0	5.4	6.74	0.2	24.7	1.7	0.47	7.0	1.0	0.8	4400 KG	

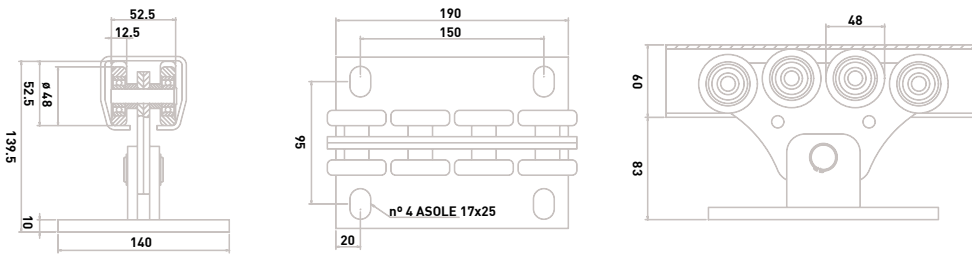


**ROLLING CENTER
CA4RPS
MINI CANTILEVER
CARRIAGE**

MINI CANTILEVER CARRIAGES - For gates up to max weight 450kg

CA4RPS

8 wheeled mini carriage



Dimensions in: mm		MINI		
REFERENCE	L1 (ml max)	GATE MAX WEIGHT	CANTILEVER TRACK	WEIGHT (kg)
CA4RPS	3 - 6	450	GIPI 4 RP / RPZ	4.79

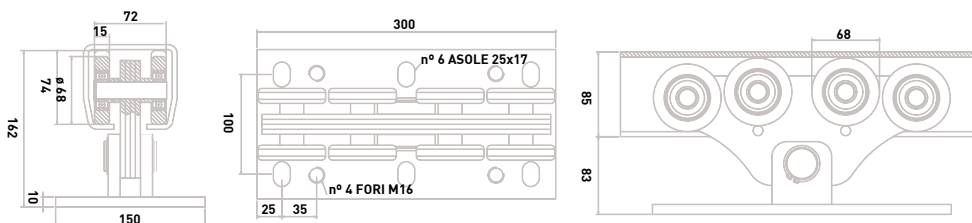


**ROLLING CENTER
CA4RS
MEDIUM CANTILEVER
CARRIAGE**

MEDIUM CANTILEVER CARRIAGES - For gates up to max weight 600kg

CA4RS

8 wheeled medium carriage



Dimensions in: mm		MEDIUM		
REFERENCE	L1 (ml max)	GATE MAX WEIGHT	CANTILEVER TRACK	WEIGHT
CA4RS	8	600 KG	GIPI 5 RG / GZ	10.5 KG

**ROLLING CENTER
COMPOSITE
FENCE BOARDS**

Turn to page **258**



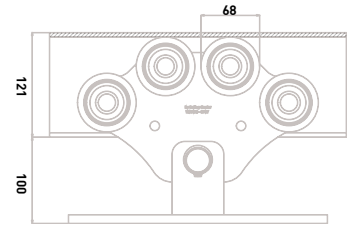
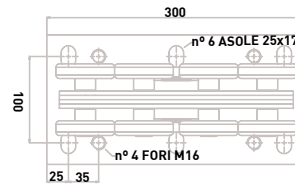
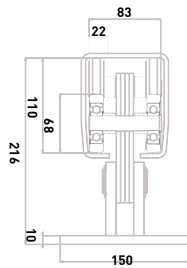
**ROLLING CENTER
H900
CANTILEVER CARRIAGE**



H900 CANTILEVER CARRIAGES - For gates up to max weight 900kg

H900

8 wheeled H900 carriage



Dimensions in: mm		H900		
REFERENCE	L1 (ml max)	GATE MAX WEIGHT	CANTILEVER TRACK	WEIGHT
H 900	10	900 KG	GIPI 5 RH / HZ	13 KG



**ROLLING CENTER
CA4RMS MAGNUM &
CA4RMS2 MAGNUM2
CANTILEVER CARRIAGES**



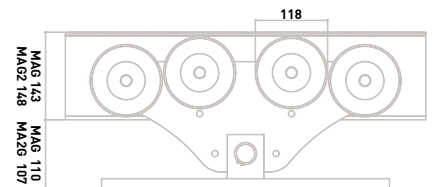
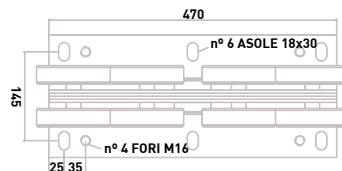
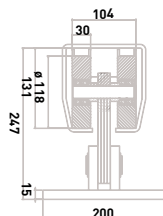
MAGNUM CANTILEVER CARRIAGES - For gates up to max weight 1200-2200kg

CA4RMS

8 wheeled magnum carriage

CA4RMS2

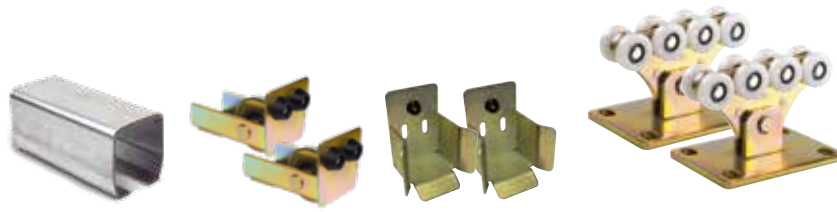
8 wheeled magnum2 carriage



Dimensions in: mm		MAGNUM		
REFERENCE	L1 (ml max)	GATE MAX WEIGHT	CANTILEVER TRACK	WEIGHT
CA4RMS	16	1200 KG	GIPI 6 RM / MZ	44.6 KG
CA4RMS2	18	2200 KG	GIPI 4 RM2 / M2C	45.2

**LOOKING FOR
SLIDING GATE
AUTOMATION
EQUIPMENT?**

Visit
www.rollingcenter.co.uk
or call 0113 201 6677 for
more information.



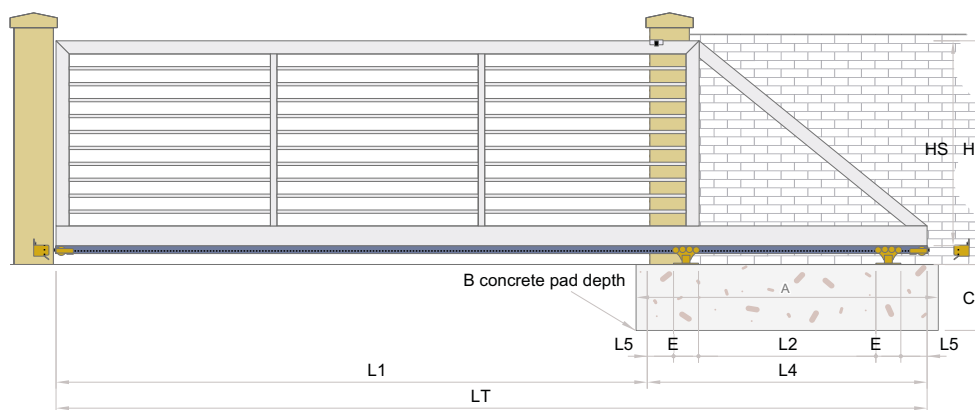
SUPER SILENT CANTILEVER KITS - For gates up to 6m clear opening. Max weight 450kg

MINIKIT 3	6m silent cantilever kit - up to 450kg - with 1x 6 galvanised track
MINIKIT 5	6m silent cantilever kit - up to 450kg - with 1x 6m non-galvanised track
SUPER SILENT MINI CANTILEVER TRACKS	
GIPI4 RPZ6	6m mini galvanised cantilever track
GIPI4 RPZ3	3m mini galvanised cantilever track
GIPI4 RP6	6m mini non-galvanised cantilever track
GIPI4 RP3	3m mini non-galvanised cantilever track
SUPER SILENT MINI CANTILEVER COMPONENTS	
SILENT P	8 wheeled super silent mini carriage
50B	Meeting point
41B/SPEC	Support wheel

**ROLLING CENTER
SUPER SILENT MINI
CANTILEVER KITS**

- 2 x SILENT P 8 wheeled carriages
- 2 x 50B Meeting points
- 2 x 41B/SPEC Support wheels
- GIPI4 RPZ 6/3 6 or 3m galvanised track
- GIPI4 RP 6/3 6 or 3m non- galvanised track

TECHNICAL INFO:



$\Sigma LT = L1 + L4 \mid L5 = 30\% \div L1 \mid L4 = L2 + (E + L5) \times 2$

SILENT MINI												
GATE MAX WEIGHT	L1	L2	L4	L5	LT	H	E	A	B	C	CARRIAGE STRENGTH	
450 KG	3.0	0.9	1.66	0.2	4.7	1.7	0.19	1.8	0.6	0.5	900 KG	
450 KG	4.0	1.2	1.96	0.2	6.0	1.7	0.19	2.0	0.6	0.5	900 KG	
450 KG	5.0	1.5	2.26	0.2	7.3	1.7	0.19	2.3	0.8	0.5	900 KG	
450 KG	6.0	1.8	2.56	0.2	8.6	1.7	0.19	2.6	0.8	0.5	900 KG	

35% LESS NOISE.

Thanks to the MAPAR wheels, Super Silent carriages reduce rolling noise in comparison to the traditional carriages.

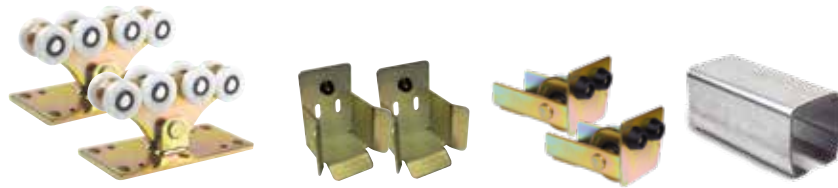
**FOR INFO ON GATE
AUTOMATION
SYSTEMS TO
WORK WITH THE
CANTILEVER KITS**

See page 8 for details.



ROLLING CENTER SUPER SILENT MEDIUM CANTILEVER KITS

- 2 x SILENT G 8 wheeled carriages
- 2 x 50P Meeting points
- 2 x 41P/SPEC Support wheels
- GIPI5 RGZ 6/3 6 or 3m galvanised track
- GIPI5 RGZ 4,5 4.5m galvanised track



SUPER SILENT CANTILEVER KITS - For gates up to 8m clear opening. Max weight 600kg

MEDIUMKIT 5	9m silent cantilever kit - up to 600kg - with 1x 6 & 1x 3m galvanised tracks
MEDIUMKIT 6	9m silent cantilever kit - up to 600kg - with 2x 4.5m galvanised track
MEDIUMKIT 10	6m silent cantilever kit - up to 600kg - with 1x 6m galvanised track
MEDIUMKIT 12	7.5m silent cantilever kit - up to 600kg - with 1x 4.5m & 1x 3m galvanised tracks
MEDIUMKIT 14	6m silent cantilever kit - up to 600kg - with 2x 3m galvanised track

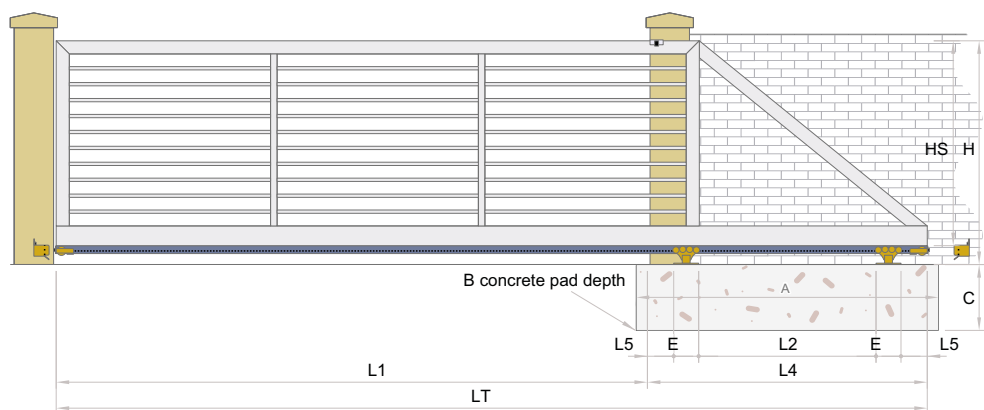
SUPER SILENT MEDIUM CANTILEVER TRACKS

GIPI 5 RGZ6	6m medium galvanised cantilever track
GIPI 5 RGZ4.5	4.5m medium galvanised cantilever track
GIPI 5 RGZ3	3m medium galvanised cantilever track
GIPI 5 RG6	6m medium non-galvanised cantilever track
GIPI 5 RG3	3m medium non-galvanised cantilever track

SUPER SILENT MEDIUM CANTILEVER COMPONENTS

SILENT G	8 wheeled super silent medium carriage
50P	Meeting point
41P/SPEC	Support wheel

TECHNICAL INFO:



$$\sum LT = L1 + L4 \quad | \quad L5 = 30\% \div L1 \quad | \quad L4 = L2 + (E + L5) \times 2$$

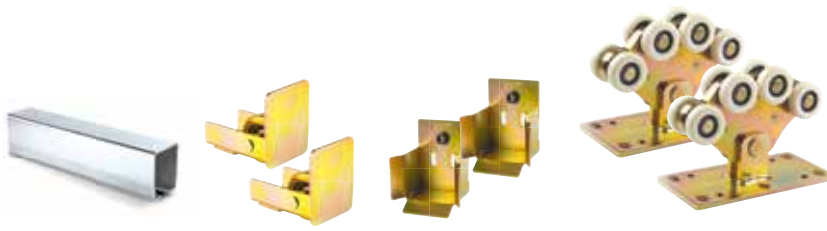
Dimensions in: mt											
SILENT MEDIUM											
GATE MAX WEIGHT	L1	L2	L4	L5	LT	H	E	A	B	C	CARRIAGE STRENGTH
600 KG	4.0	1.2	2.2	0.2	6.2	1.7	0.3	2.5	0.6	0.5	1200 KG
600 KG	5.0	1.5	2.5	0.2	7.5	1.7	0.3	2.8	0.6	0.5	1200 KG
600 KG	6.0	1.8	2.8	0.2	8.8	1.7	0.3	3.2	0.6	0.5	1200 KG
600 KG	7.0	2.1	3.1	0.2	10.1	1.7	0.3	3.7	0.6	0.5	1200 KG
600 KG	8.0	2.4	3.4	0.2	11.4	1.7	0.3	3.7	0.6	0.5	1200 KG

TEMPERATURE DURABILITY.

Thanks to MAPAR wheels, Super Silent carriages are resistant to a variation of temperatures from -40 to +120 C.

NICE ROBUS KIT 1 UP TO 600KG SLIDING GATE AUTOMATION

Turn to page 12



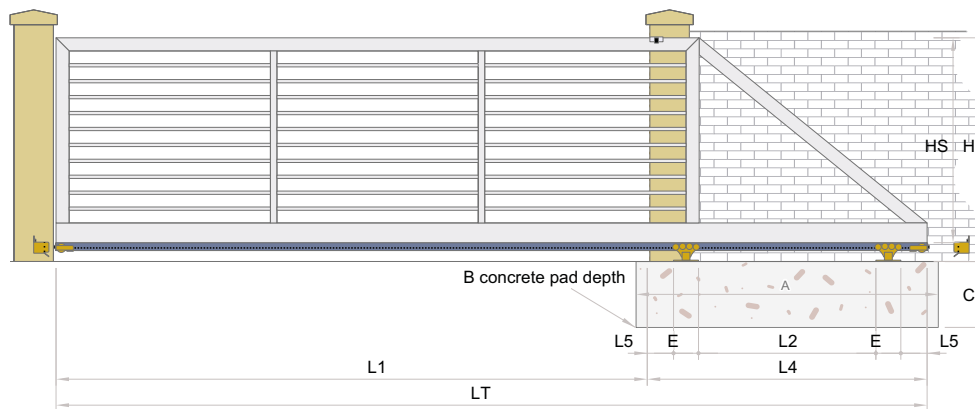
SUPER SILENT CANTILEVER KITS - For gates up to 10m clear opening. Max weight 1500kg

H900KIT 5	9m silent cantilever kit - up to 900kg - with 1x 6m & 1x 3m galvanised tracks
H900KIT 6	12m silent cantilever kit - up to 900kg - with 2x 6m galvanised tracks
SUPER SILENT H900 CANTILEVER TRACKS	
GIPI 5 RHZ3	3m H900 galvanised cantilever track
GIPI 5 RHZ4	4m H900 galvanised cantilever track
GIPI 5 RHZ6	6m H900 galvanised cantilever track
SUPER SILENT H900 CANTILEVER COMPONENTS	
H900 2S	8 wheeled silent h900 carriage
50H	Meeting point
41H/SPEC	Support wheel

**ROLLING CENTER
SUPER SILENT H900
CANTILEVER KITS**

- 2 x H900-2S 8 wheeled carriages
- 2 x 50H Meeting points
- 2 x 41H/SPEC Support wheels
- GIPI5 RHZ 3 3m galvanised track
- GIPI5 RHZ 4 4m galvanised track
- GIPI5 RHZ 6 6m galvanised track

TECHNICAL INFO:



$\Sigma LT = L1 + L4 \mid L5 = 30\% \div L1 \mid L4 = L2 + (E + L5) \times 2$

Dimensions in: mt												
H900 SILENT												
GATE MAX WEIGHT	L1	L2	L4	L5	LT	H	E	A	B	C	CARRIAGE STRENGTH	
900 KG	6.0	1.8	2.8	0.2	8.8	1.7	0.3	3.1	0.6	0.5	1800 KG	
900 KG	7.0	2.1	3.1	0.2	10.1	1.7	0.3	3.4	0.6	0.5	1800 KG	
900 KG	8.0	2.4	3.4	0.2	11.4	1.7	0.3	3.7	0.6	0.5	1800 KG	
900 KG	9.0	2.7	3.7	0.2	12.7	1.7	0.3	4.0	0.6	0.5	1800 KG	
900 KG	10.0	3.0	4.0	0.2	14.0	1.7	0.3	4.3	0.6	0.5	1800 KG	

LIGHTNESS & EFFICIENCY.

The lightness of MAPAR wheels means a low rolling strength and a lower level of energy needed to move the gate.

**ROLLING CENTER
WHATSAPP
TECHNICAL**

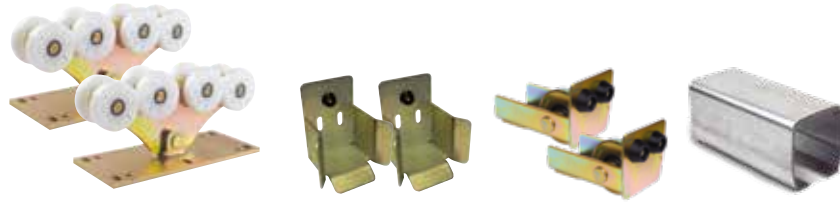
Scan the QR code for instant help

Rolling Center Tech Support



ROLLING CENTER SUPER SILENT MAGNUM CANTILEVER KITS

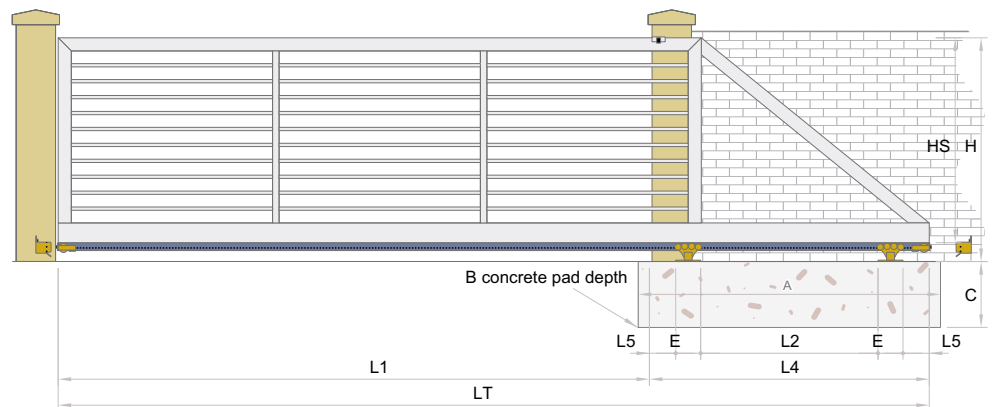
- 2 x SILENT M 8 wheeled carriages
- 2 x 50G Meeting points
- 2 x 41G/SPEC Support wheels
- GIPI6 RMZ 6/3 6 or 3m galvanised track
- GIPI6 RM 6/3 6 or 3m non-galvanised track



SUPER SILENT CANTILEVER KITS - For gates up to 16m clear opening. Max weight 1200kg

MAGNUMKIT 2	12m silent cantilever kit - up to 1200kg - with 2x 6m galvanised track
MAGNUM CANTILEVER TRACKS	
GIPI6 RMZ6	6m magnum galvanised cantilever track
GIPI6 RMZ3	3m magnum galvanised cantilever track
GIPI6 RM6	6m magnum non-galvanised cantilever track
GIPI6 RM3	3m magnum non-galvanised cantilever track
MAGNUM CANTILEVER COMPONENTS	
SILENT M	8 wheeled silent magnum carriage
50G	Meeting point
41G/SPEC	Support wheel

TECHNICAL INFO:



$$\Sigma LT = L1 + L4 \quad L5 = 30\% \div L1 \quad L4 = L2 + (E + L5) \times 2$$

SILENT MAGNUM											
Dimensions in: mt											
GATE MAX WEIGHT	L1	L2	L4	L5	LT	H	E	A	B	C	CARRIAGE STRENGTH
1200 KG	9.0	2.7	4.04	0.2	13.0	1.7	0.47	4.2	0.6	0.5	2400 KG
1200 KG	10.0	3.0	4.34	0.2	14.3	1.7	0.47	4.2	0.6	0.5	2400 KG
1200 KG	11.0	3.3	4.64	0.2	15.6	1.7	0.47	4.8	0.8	0.6	2400 KG
1200 KG	12.0	3.6	4.94	0.2	16.9	1.7	0.47	4.8	0.8	0.6	2400 KG
1200 KG	13.0	3.9	5.24	0.2	18.2	1.7	0.47	5.4	0.8	0.6	2400 KG
1200 KG	14.0	4.2	5.54	0.2	19.5	1.7	0.47	5.4	0.8	0.6	2400 KG
1200 KG	15.0	4.5	5.84	0.2	20.8	1.7	0.47	6	0.8	0.6	2400 KG
1200 KG	16.0	4.8	6.14	0.2	22.1	1.7	0.47	6.2	0.8	0.6	2400 KG

CORROSION RESISTANT.

The nylon structure of supersilent carriage wheels has a higher corrosion strength compared to traditional materials.



COMELIT GSM1-K GSM INTERCOM WITH KEYPAD



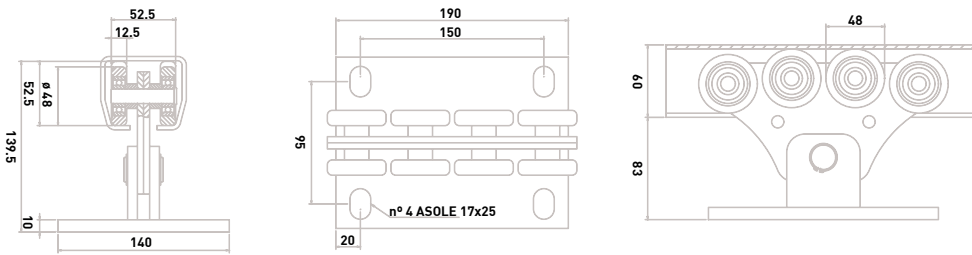
Turn to page 134



SUPER SILENT MINI CANTILEVER CARRIAGES - For gates up to max weight 450kg

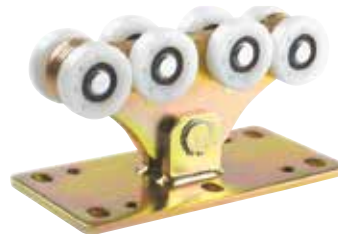
SILENT P

8 wheeled mini carriage



Dimensions in: mm				
SILENT P				
REFERENCE	L1 (ml max)	GATE MAX WEIGHT	CANTILEVER TRACK	WEIGHT
SILENT P	6	450	GIPI 4 RP / RPZ	4.12 (KG)

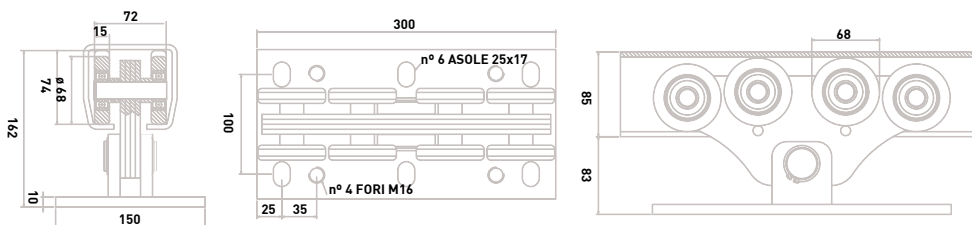
**ROLLING CENTER
SILENT P**
SUPER SILENT MINI
CANTILEVER CARRIAGE



SUPER SILENT MEDIUM CANTILEVER CARRIAGES - For gates up to max weight 600kg

SILENT G

8 wheeled medium carriage



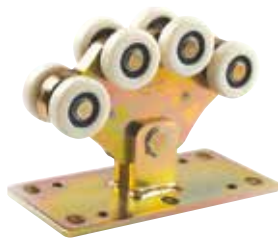
Dimensions in: mm				
SILENT G				
REFERENCE	L1 (ml max)	GATE MAX WEIGHT	CANTILEVER TRACK	WEIGHT
SILENT G	8	600 KG	GIPI 5 RG / GZ	9.2 KG

**ROLLING CENTER
SILENT G**
SUPER SILENT MEDIUM
CANTILEVER CARRIAGE





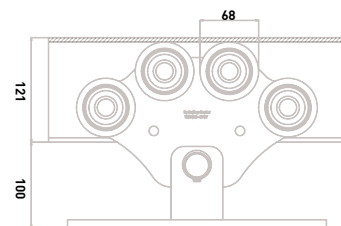
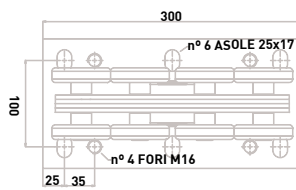
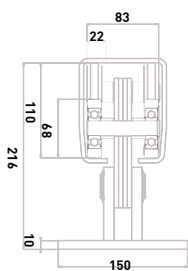
**ROLLING CENTER
H900 S**
SUPER SILENT H900S
CANTILEVER CARRIAGE



SUPER SILENT H900 CANTILEVER CARRIAGES - For gates up to max weight 900kg

H900 S

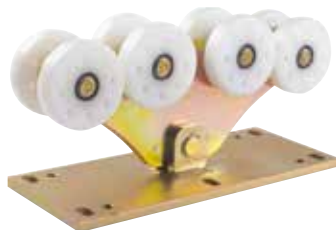
8 wheeled H900 carriage



Dimensions in: mm		H900 S		
REFERENCE	L1 (ml max)	GATE MAX WEIGHT	CANTILEVER TRACK	WEIGHT
H 900 S	10	900 KG	GIPI 5 RH / HZ	12 KG



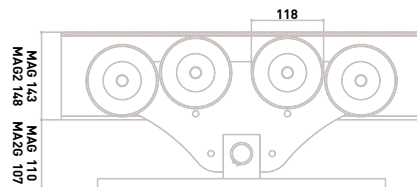
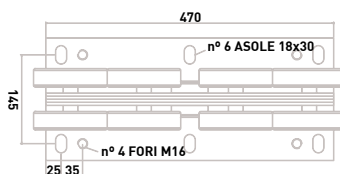
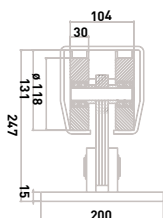
**ROLLING CENTER
SILENT M**
SUPER SILENT MAGNUM
CANTILEVER CARRIAGES



SUPER SILENT MAGNUM CANTILEVER CARRIAGES - For gates up to max weight 1200-2200kg

SILENT M

8 wheeled magnum carriage

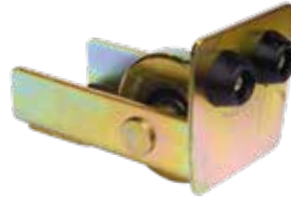


Dimensions in: mm		SILENT M		
REFERENCE	L1 (ml max)	GATE MAX WEIGHT	CANTILEVER TRACK	WEIGHT
SILENT M	16	1200 KG	GIPI 6 RM / MZ / MA	25.75 KG

**BEA LASER
CURTAIN SAFETY
SCANNER**



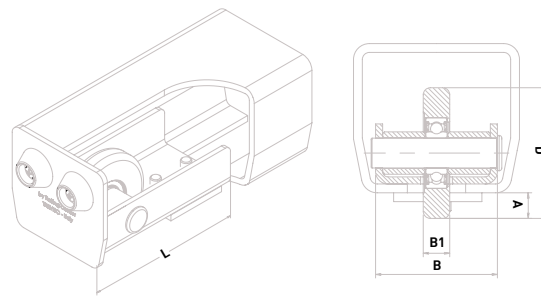
Turn to page **66**



**ROLLING CENTER
CANTILEVER
SUPPORT WHEELS**

CANTILEVER SUPPORT WHEELS - For steel & super silent systems

41 B/SPEC	Mini cantilever support wheel
41 P/SPEC	Medium cantilever support wheel
41 H/SPEC	H900 cantilever support wheel
41 G/SPEC	Magnum cantilever support wheel



Dimensions in: **mm**

SUPPORT WHEELS								
REFERENCE	B	B1	L	A	T	DØ	CANTILEVER TRACK	WEIGHT
41 B/SPEC	50	15	132	13	12	68	GIPI 4RP / PZ	1.20 KG
41 P/SPEC	69	15	132	14.5	12	74	GIPI 5RG / GZ	1.41 KG
41 H/SPEC	80	23	135	17	-	78	GIPI 5RH / HZ	2.05 KG
41 G/SPEC	106	30	190	18	38	98	GIPI 6RM / MZ	4.23 KG

**REGISTER FOR A
TRADE ACCOUNT
TODAY
TO RECEIVE TRADE
DISCOUNTS**

Call us on
0113 201 6677 our friendly
team are here to help.

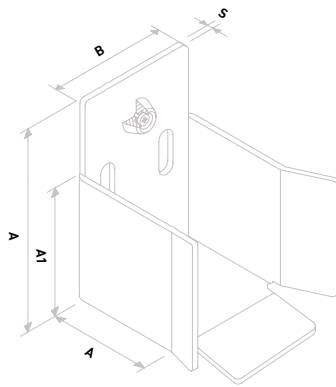


**ROLLING CENTER
50 / L
CANTILEVER
MEETING POINTS**



CANTILEVER MEETING POINTS - For steel & super silent systems

50 B	Mini cantilever meeting point
50 P	Medium cantilever meeting point
50 H	H900 cantilever meeting point
50 G	Magnum cantilever meeting point
50 BL	Extended mini cantilever meeting point - to accommodate safety edges
50 PL	Extended medium cantilever meeting point - to accommodate safety edges
50 GL	Extended magnum cantilever meeting point - to accommodate safety edges



CAN'T SEE WHAT YOU'RE LOOKING FOR?

Our friendly team are here to help.
Call us on **0113 201 6677** or email Info@rollingcenter.co.uk

Dimensions in: mm

REFERENCE	A	A1	B	C	S	CANTILEVER TRACK	WEIGHT
50 B	135	85	87	90	4	GIPI 4RP / PZ	1.2 KG
50 P	161	100	112	90	4	GIPI 5RG / GZ	1.68 KG
50 H	165	95	120	85	4	GIPI 5RH / HZ	1.8 KG
50 G	223	165	152	90	4	GIPI 6RM / MZ	2.8 KG
50 BL	110	85	108	153	4	GIPI 4RP / PZ	1.95 KG
50 PL	120	100	132	178	4	GIPI 5RG / GZ	2.65 KG
50 GL	180	165	181	183	4	GIPI 6RM / MZ	4.4 KG

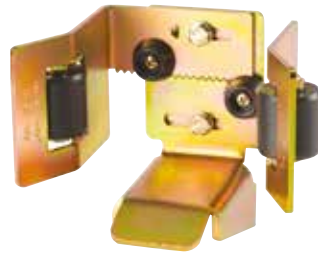


**THE
FOCUS ON
INNOVATIONS**

**NEW 2022 GATE HARDWARE CATALOGUE
AVAILABLE NOW CALL TODAY FOR YOUR FREE COPY**

Or download from our website www.rollingcenter.co.uk

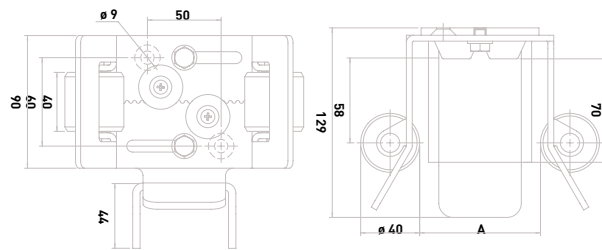




**ROLLING CENTER
50 RL
ADJUSTABLE BOTTOM
CANTILEVER MEETING POINT**

CANTILEVER ADJUSTABLE MEETING POINT - For steel & super silent systems

50 RL Cantilever adjustable meeting points with 40mm Ø rollers



Dimensions in: mm					
ADJUSTABLE MEETING POINT					
REFERENCE	A	lxl	L	WEIGHT	
50 RL	80 ÷ 150	50 x 60	-	1.84 KG	



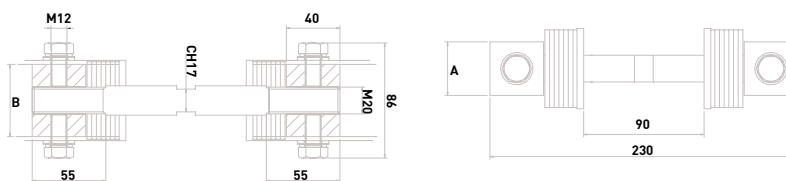
**ROLLING CENTER
GLOECK
CANTILEVER TENSION ROD**

CANTILEVER TENSION ROD - For steel & super silent systems

GLOECK Cantilever tension rod - for 60 x 60 x 3mm box section

GLOECK 40 Cantilever tension rod - for 40 x 40 x 2.5mm box section

GLOECK 4060 Cantilever tension rod - for 40 x 60 2.5mm box section



Dimensions in: mm					
GLOECK TENSION ROD					
REFERENCE	BOX SECTION	A	B Ø	WEIGHT	
GLOECK	60 X 60 X 3	40	54	1.84 KG	
GLOECK 40	40 X 40 X 2.5	35	35	1.16 KG	
GLOECK 4060	40 X 60 X 2.5	35	35	1.16 KG	

**INTERESTED IN AN ALUMINIUM GATE?
TAKE A LOOK AT
OUR FULL RANGE OF
MADE TO MEASURE
ALUMINIUM GATES**

See page **235** for details

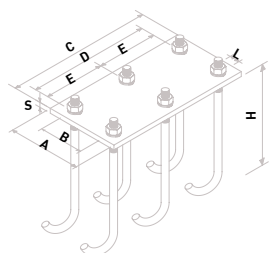


ROLLING CENTER
CANTILEVER
FIXING KITS



CANTILEVER FIXING KITS - For steel & super silent systems

PF/B	Mini cantilever fixing kit
PF/P	Medium & H900 cantilever fixing kit
PF/G	Magnum cantilever fixing kit



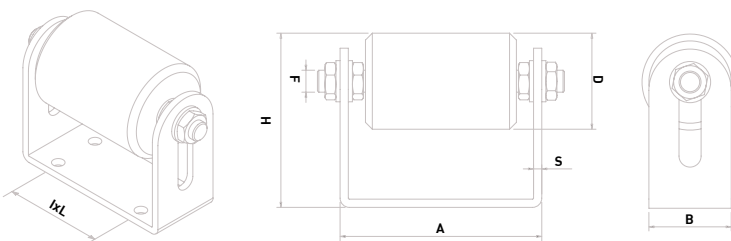
CANTILEVER FIXING KIT									
REFERENCE	A	B	C	D	E	H	L	S	WEIGHT
PF/B	140	95	190	150	-	250	M16	2	4 KG
PF/P	150	100	300	250	125	250	M16	2	4 KG
PF/G	200	145	470	420	210	250	M16	2	5 KG

ROLLING CENTER
CANTILEVER
GUIDE ROLLERS



CANTILEVER ADJUSTABLE & FIXED GUIDE ROLLERS

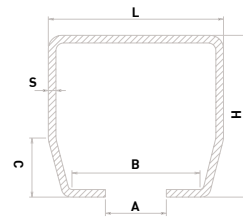
50 R	Small adjustable cantilever guide roller
50 RM	Large fixed cantilever guide roller



CANTILEVER GUIDE ROLLERS								
REFERENCE	A	B	D	F	H	l x L	S	WEIGHT
50 R	147	60	70	M16	76 ÷ 135	90 x 40 Ø10	6	2 KG
50 RM	220	65	70	Ø20	75	145 x 40 Ø10	8	2.9 KG

FOR ACCESS CONTROL PRODUCTS







See page 83 for details



ROLLING CENTER
CANTILEVER TRACK
COMPARISON CHART

CANTILEVER TRACK COMPARISON CHART

Dimensions in: mm/mt

REFERENCE	CARRIAGES	L	H	A	B	C	S	FINISH	LENGTH (mt)	WEIGHT
	CA4RL SILENT L	-	-	-	-	-	-	-	-	-
	GIPI 4 RLZ 51	69	59	22	52.5	25	3	GALVANISED	5.1	24.3 KG
	GIPI 4 RPZ 3	70	60	22	53	25	3.5	GALVANISED	3	17.03 KG
	GIPI 4 RP 3	70	60	22	53	25	3.5	NON-GALVANISED	3	17.03 KG
	GIPI 4 RPZ 6	70	60	22	53	25	3.5	GALVANISED	6	34.12 KG
	GIPI 4 RP 6	70	60	22	53	25	3.5	NON-GALVANISED	6	34.13 KG
	GIPI 5 RGZ 3	94	85	33	73	30	5	GALVANISED	3	35.7 KG
	GIPI 5 RG 3	94	85	33	73	30	5	NON-GALVANISED	3	35.7 KG
	GIPI 5 RGZ 6	94	85	33	73	30	5	GALVANISED	6	71.4 KG
	GIPI 5 RG 6	94	85	33	73	30	5	NON-GALVANISED	6	71.4 KG
	GIPI 5 RHZ 3	101	121	36	86	41	5	GALVANISED	3	35 KG
	GIPI 5 RHZ 4	101	121	36	86	41	5	GALVANISED	4	57.8 KG
	GIPI 5 RHZ 6	101	121	36	86	41	5	GALVANISED	6	86 KG
	GIPI 6 RMZ 3	136	143	38	104	55	6	GALVANISED	3	68 KG
	GIPI 6 RM 3	136	143	38	104	55	6	NON-GALVANISED	3	68 KG
	GIPI 6 RMZ 6	136	143	38	104	55	6	GALVANISED	6	136 KG
	GIPI 6 RM 6	136	143	38	104	55	6	NON-GALVANISED	6	136 KG
	GIPI 4 RM2C 3	140	148	38	106	57	8	GALVANISED	3	90 KG
	GIPI 4 RM 2/3	140	148	38	106	57	8	NON-GALVANISED	3	90 KG
	GIPI 4 RM2C 6	140	148	38	106	57	8	GALVANISED	6	180 KG
	GIPI 4 RM 2/6	140	148	38	106	57	8	NON-GALVANISED	6	180 KG

CANTILEVER GATE
CONFIGURATOR TOOL
AVAILABLE NOW



ONLY ON OUR WEBSITE

'24

2024 TRADE CATALOGUE

GATE HARDWARE
GATE AUTOMATION
ACCESS CONTROL
GATE SAFETY
ALUMINIUM GATES



TEL. 0113 201 6677

SECTION I

ALUMINIUM GATES

ALUMINIUM GATES INTRODUCTION	268
CREATIV ALUMINIUM FENCING	269
APPROVED NETWORK INSTALLER	270
ALUMINIUM GATES FROM STOCK	272
BESPOKE ALUMINIUM GATES	274



PRODUCTS YOU CAN RELY ON



With over **60 years** of experience in designing and manufacturing **Aluminium Gates, La Toulousaine** is an expert in developing and producing **aluminium gates** that are now sold in various countries. this expertise is demonstrated in the **quality** and **finish** of the product, and it is supported by a **25-year warranty**.

WHY CHOOSE ALUMINIUM GATES?

- Reliable and robust, the patented Meca Clav technology ensures that the gate remains rigid in all weather conditions..
- Finished using AkzoNobel, the world leader in powder colour coatings.
- Manufactured with Qualimarine quality aluminium and protected by the Qualicoat guarantee, ensuring that the gates meet the highest European standards for aluminium gates.
- Choose from over 500 Bespoke stylish, contemporary, and classic designs, customisable and made to order..
- Bespoke gates are available as sliding gates, swing gates, cantilever gates, bi-parting and fence panels.
- There are over 100 powder coating colours available with different textured finishes.
- Choose from 3 different designs available in the access aluminium gates from stock finished in anthracite grey RAL 7016
- No lead time or delays on deliveries nationwide.
- Available as both swing gates and sliding gates.
- Gates are compatible with all gate automation and access control systems.
- Guaranteed against colour discoloration.
- Installation is made easy with invisible gear racks supplied for automated sliding gates, and welded plates provided for underground automated swing gates.



ALUMINIUM A HIGH QUALITY MATERIAL



LIGHT



SHOCK
RESISTANT



100% ENVIRONMENT
FRIENDLY



CORROSION RESISTANT



FOR YOUR OWN SAFETY AND THAT OF
YOUR CHILDREN, ALL OUR GATES COMPLY
WITH EN 13241 + A1 STANDARDS.

CREATIV

ALUMINIUM FENCING IN STOCK



Low Maintenance: minimal maintenance, does not need painting or stained regularly or require treatments like sealing or rust-proofing.

Variety of Styles: Aluminium fencing is available in a wide range of styles & designs. You can choose from plain or open work fencing.

Security: Aluminium fencing can provide security and privacy, especially with additional features like locks and gates. It's a sturdy option that can deter intruders.



Rolling Center **APPROVED NETWORK INSTALLER**

Rolling Center are the exclusive importer of La Toulousaine Aluminium gates in the UK.

Join the growing network of nationwide installers and start saving today.

INSTALLER BENEFITS & SUPPORT

- Personalised configurator for your website
- Lead generation (qualified leads supplied)
- Bespoke catalogues
- Additional discount against standard pricing
- Preferential lead times
- Priority deliveries
- Gate samples
- Dedicated account management
- Tailored customer training
- Customer handover pack
- Vehicle stickers





HIGH QUALITY ALUMINIUM



LIGHT



SHOCK RESISTANT



100% ENVIRONMENTALLY FRIENDLY



CORROSION RESISTANT

PRODUCTS YOU CAN RELY ON



INSTALLER BENEFITS & SUPPORT

ENQUIRIES FROM CUSTOMER

Rolling Center generates leads through extensive online marketing, PR and social media.

ENQUIRY TO ROLLING CENTER

Rolling Center receives customer sales prospect from online enquiry form.

FULL SPECIFICATION SUPPLIED

If full details are provided by the customer Rolling Center generates a drawing and quote for the Trade Partner.

NO SPECIFICATION SUPPLIED

If enquiry is received without any details Rolling Center sends customer details to the Trade Partner to arrange for a site visit.

DRAWING & QUOTE GENERATION

Rolling Center generates a drawing and quote from the information gathered from the site visit and sends this to the Trade Partner.

RESPONSE TO TRADE PARTNER

Trade Partner has received the drawing and quote. The Trade Partner can proceed with the quoting process for the End User



ALUMINIUM GATE CONFIGURATOR

CONTACT US TODAY FOR MORE INFO...

RollingCenter.
PROVIDING SOLUTIONS FOR ALUMINIUM GATES

0113 201 6677
info@rollingcenter.co.uk



ALUMINIUM GATES FROM STOCK

*Are you looking for a modern and contemporary quality gate that will last a lifetime?
A La Toulousaine aluminium gate is the perfect choice.*

The new Access, ready-made aluminium gate range is a cost effective option for those looking to upgrade their home whilst providing a high quality finish.



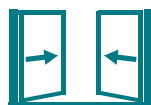
LA TOULOUSAIN ACCESS DOMA

The Doma is a completely boarded privacy gate with flat top and **150mm** horizontal slat.



Sliding Gates

- DOMA-ACCESS-SG1**
To suit opening 3.5m x 1.6m RAL 7016* **£POA**
- DOMA-ACCESS-SG2**
To suit opening 3.5m x 1.7m RAL 7016* **£POA**
- DOMA-ACCESS-SG3**
To suit opening 3.5m x 1.8m RAL 7016* **£POA**
- DOMA-ACCESS-SG4**
To suit opening 3.75m x 1.7m RAL 7016* **£POA**
- DOMA-ACCESS-SG5**
To suit opening 3.75m x 1.8m RAL 7016* **£POA**
- DOMA-ACCESS-SG6**
To suit opening 4m x 1.7m RAL 7016* **£POA**
- DOMA-ACCESS-SG7**
To suit opening 4m x 1.8m RAL 7016* **£POA**



2 Leaf Swing Gates

- DOMA-ACCESS-DG1**
To suit opening 3.5m x 1.6m RAL 7016* **£POA**
- DOMA-ACCESS-DG2**
To suit opening 3.5m x 1.7m RAL 7016* **£POA**
- DOMA-ACCESS-DG3**
To suit opening 3.75m x 1.7m RAL 7016* **£POA**
- DOMA-ACCESS-DG4**
To suit opening 3.75m x 1.8m RAL 7016* **£POA**
- DOMA-ACCESS-DG5**
To suit opening 4m x 1.7m RAL 7016* **£POA**
- DOMA-ACCESS-DG6**
To suit opening 4m x 1.8m RAL 7016* **£POA**

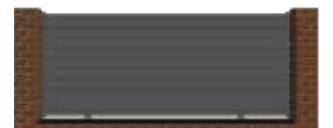
*AVAILABLE COLOUR
Anthracite
Grey

25
YEAR
GUARANTEE

RAL 7016



ACCESS DOMA SLIDING



ACCESS DOMA SWING





LA TOULOUSAINNE ACCESS MARSHELA

The **Marshela** is a completely boarded privacy gate with flat top and **150mm** vertical slats.



Sliding Gates

- MARSHELA-ACCESS-SG1**
To suit opening 3.5m x 1.6m RAL 7016*
- MARSHELA-ACCESS-SG2V**
To suit opening 3.5m x 1.7m RAL 7016*
- MARSHELA-ACCESS-SG3**
To suit opening 3.5m x 1.8m RAL 7016*
- MARSHELA-ACCESS-SG4**
To suit opening 3.75m x 1.7m RAL 7016*
- MARSHELA-ACCESS-SG5**
To suit opening 3.75m x 1.8m RAL 7016*
- MARSHELA-ACCESS-SG6**
To suit opening 4m x 1.7m RAL 7016*
- MARSHELA-ACCESS-SG7**
To suit opening 4m x 1.8m RAL 7016*

£POA

£POA

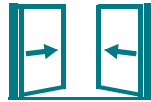
£POA

£POA

£POA

£POA

£POA



2 Leaf Swing Gates

- MARSHELA-ACCESS-DG1**
To suit opening 3.5m x 1.6m RAL 7016*
- MARSHELA-ACCESS-DG2**
To suit opening 3.5m x 1.7m RAL 7016*
- MARSHELA-ACCESS-DG3**
To suit opening 3.75m x 1.7m RAL 7016*
- MARSHELA-ACCESS-DG4**
To suit opening 3.75m x 1.8m RAL 7016*
- MARSHELA-ACCESS-DG5**
To suit opening 4m x 1.7m RAL 7016*
- MARSHELA-ACCESS-DG6**
To suit opening 4m x 1.8m RAL 7016*

£POA

£POA

£POA

£POA

£POA

£POA

*AVAILABLE COLOUR
Anthracite
Grey

RAL 7016



25
YEAR
GUARANTEE

ACCESS MARSHELA SLIDING



ACCESS MARSHELA SWING



LA TOULOUSAINNE ACCESS BAIONA

The **Baiona** is a completely boarded privacy gate with flat top and **250mm** horizontal slats.



Sliding Gates

- BAIONA-ACCESS-SG1**
To suit opening 3.5m x 1.6m RAL 7016*
- BAIONA-ACCESS-SG2**
To suit opening 3.5m x 1.7m RAL 7016*
- BAIONA-ACCESS-SG3t**
To suit opening 3.5m x 1.8m RAL 7016*
- BAIONA-ACCESS-SG4**
To suit opening 3.75m x 1.7m RAL 7016*
- BAIONA-ACCESS-SG5**
To suit opening 3.75m x 1.8m RAL 7016*
- BAIONA-ACCESS-SG6**
To suit opening 4m x 1.7m RAL 7016*
- BAIONA-ACCESS-SG7**
To suit opening 4m x 1.8m RAL 7016*

£POA

£POA

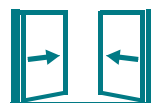
£POA

£POA

£POA

£POA

£POA



2 Leaf Swing Gates

- BAIONA-ACCESS-DG1**
To suit opening 3.5m x 1.6m RAL 7016*
- BAIONA-ACCESS-DG2**
To suit opening 3.5m x 1.7m RAL 7016*
- BAIONA-ACCESS-DG3**
To suit opening 3.75m x 1.7m RAL 7016*
- BAIONA-ACCESS-DG4**
To suit opening 3.75m x 1.8m RAL 7016*
- BAIONA-ACCESS-DG5**
To suit opening 4m x 1.7m RAL 7016*
- BAIONA-ACCESS-DG6**
To suit opening 4m x 1.8m RAL 7016*

£POA

£POA

£POA

£POA

£POA

£POA

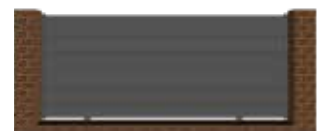
*AVAILABLE COLOUR
Anthracite
Grey

RAL 7016



25
YEAR
GUARANTEE

ACCESS BAIONA SLIDING



ACCESS BAIONA SWING





Rolling Center are approved Exclusive Importers of La Toulousaine Aluminium gates in the UK.

With over 60 years of experience in designing and manufacturing aluminium gates, La Toulousaine is an expert in developing and producing aluminium gates.

This expertise is demonstrated in the quality and finish of the product, and it is supported by a 25-year warranty.

Choose from over 500 Bespoke stylish, contemporary, and classic designs, customisable and made to order. Bespoke gates are available as sliding gates, swing gates, cantilever gates, bi-parting and fence panels. There are over 100 powder coating colours available with different textured finishes.

**CONTACT US
TODAY FOR YOUR
FREE COPIES
OF OUR ALUMINIUM
GATES CATALOGUES...**

0113 201 6677
info@rollingcenter.co.uk





ACCORD RANGE

The Accord range's modern design with clean lines, straight angles and customisable options is highly appealing. It provides privacy and security through wide slats with grooves at intervals of 150mm or 250mm. With 16 designs and various colours, you can create your perfect gate.

ARPEGGIO RANGE

The classic model blends straight lines with timeless curves, featuring solid and spaced slats on each leaf. Each gate combines a solid section with a customisable part to enhance outdoor aesthetics. Panel design choices encompass laser-cutting, engraving, stamped sheets, geometric patterns, personalised elements like house numbers, and dual-tone colours.



CREATION RANGE

Openwork filling, solid or personalised, this ventilated line has a contemporary design that gives bold character to your outdoor space. If personalisation is your thing, putting the creativity into your gate designs is simple with the Creation Range, which has perforated or solid sheets that can be personalised, embossed or engraved with a variety of patterns, horizontal or vertical openings.

DISCRETION RANGE

The Discretion series provides the perfect balance of serenity and security, for ultimate style and peace of mind. Choose from models with solid plates, the louvered slats provide a windbreak and privacy screen so that you can relax and enjoy your outdoor space in style and comfort.



HARMONY RANGE

A truly timeless design, with its micro-perforated top and solid base, the Harmony range strikes a balance between providing you with a feeling of privacy, whilst offering visibility to the outside for a feeling of openness. Customisable, the solid base can be designed with vertical, horizontal or diagonal slats.

HORIZON RANGE

Fusing the contemporary with classic elegance, the Horizon range includes a series of models with a completely open gate design, featuring horizontal or vertical slats of tubes. If you're looking to boost your home's security and privacy, but not block your view of the outside, the Horizon is the perfect choice.



INTIMACY RANGE

Blending modern styling with intimate design, the Intimacy range provides complete privacy for your home and outdoor spaces. With a fully clad design, security and privacy is offered without compromising on curb appeal.

MELODY RANGE

For a blend of artistic flair and timeless elegance, the straight-framed Melody range offers a bold yet refined aesthetic. It features diverse textures, filled sections, and patterns, including choices like walnut or aged pine wood, dual-tone colours, laser cuts, engraving, aluminium décor, perforation, and embossment.



'24

2024 TRADE CATALOGUE

GATE HARDWARE
GATE AUTOMATION
ACCESS CONTROL
GATE SAFETY
ALUMINIUM GATES

TEL. 0113 201 6677

SECTION J

COMPOSITE FENCE BOARDS

SANDED & COMPOSITE FENCE BOARDS 278

ECOBOARD COMPOSITE FENCE BOARDS 280



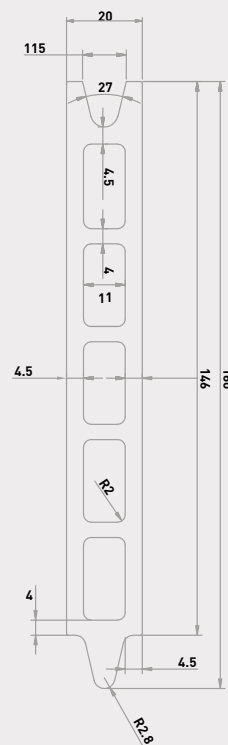
COMPOSITE FENCE BOARDS

Composite wood fencing and gate boards are a low maintenance, long lasting and environmentally friendly, alternative to real wood, made from recycled material. The Rolling Center composite gate and fencing panels are designed specifically for domestic gates and fences as they are light which helps make installing them easier, but they are also durable, robust and strong.

There is no need to paint, varnish, stain or seal the boards. They are rot, mould and UV resistant as well as being colourfast and all weatherproof so the colour won't fade over time. The finish is contemporary and long lasting with minimum maintenance needed.

The composite boards are simple to slot together using the tongue and groove system and can be easily cut to your specific size with a saw.

They are easy to keep clean, either by wiping down periodically with a damp cloth or by using approved composite board cleaner and a soft bristle brush. We have a range of colours and finishes to choose from.





**ROLLING CENTER
 CFB BLACK**
 SANDED & WOODGRAIN
 EFFECT COMPOSITE FENCE
 BOARDS



CFB-S-BLACK

Black - sanded effect - 2000 x 146 x 19mm

CFB-W-BLACK

Black - wood grain effect - 2000 x 146 x 19mm



**ROLLING CENTER
 CFB GREY**
 SANDED & WOODGRAIN
 EFFECT COMPOSITE FENCE
 BOARDS



CFB-S-GREY

Grey - sanded effect - 2000 x 146 x 19mm

CFB-W-GREY

Grey - wood grain effect - 2000 x 146 x 19mm



**ROLLING CENTER
 CFB BROWN**
 SANDED & WOODGRAIN
 EFFECT COMPOSITE FENCE
 BOARDS



CFB-S-BROWN

Brown - sanded effect - 2000 x 146 x 19mm

CFB-W-BROWN

Brown - wood grain effect - 2000 x 146 x 19mm



**ROLLING CENTER
 CFB GOLDEN OAK**
 WOODGRAIN EFFECT
 COMPOSITE FENCE BOARDS



CFB-W-GOLDEN OAK

Golden oak - wood grain effect - 2000 x 146 x 19mm

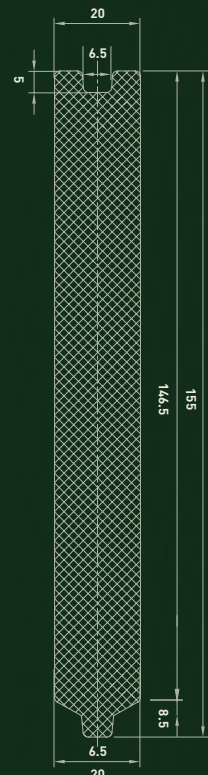


A MORE SUSTAINABLE ALTERNATIVE TO COMPOSITE BOARDS

NO ROTTING ✓
NO WARPING ✓
NO DEGRADING ✓

- Low maintenance
- Do not absorb moisture
- Easy to keep clean
- No need to paint, stain or varnish
- Mould resistant

- Easy to install
- UV resistant
- Colourfast
- Non toxic



Product Dimensions
200 x 147 x 20mm

Manufactured from **100%** recycled synthetic material

Stronger, durable and **5%** denser than competitors



**ROLLING CENTER
BLACK ECOBOARD**
SANDED WOODGRAIN EFFECT
COMPOSITE FENCE BOARDS

PFB-WG-BLACK

Black ECO Board - sanded woodgrain effect - 2000 x 146.5 x 20mm



**ROLLING CENTER
FRENCH OAK ECOBOARD**
SANDED WOODGRAIN EFFECT
COMPOSITE FENCE BOARDS

PFB-WG-FRENCHOAK

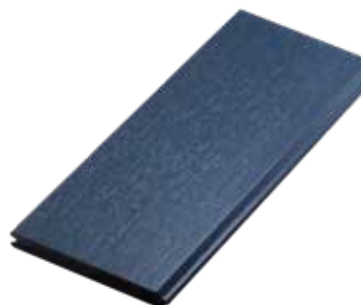
French oak ECO Board - sanded woodgrain effect - 2000 x 146.5 x 20mm



**ROLLING CENTER
GOLDEN OAK ECOBOARD**
SANDED WOODGRAIN EFFECT
COMPOSITE FENCE BOARDS

PFB-WG-GOLDENOAK

Golden oak ECO Board - sanded woodgrain effect - 2000 x 146.5 x 20mm



**ROLLING CENTER
GREY ECOBOARD**
SANDED WOODGRAIN EFFECT
COMPOSITE FENCE BOARDS

PFB-WG-GREY

Grey ECO Board - sanded woodgrain effect - 2000 x 146.5 x 20mm

**MORE
THAN JUST
GATE
HARDWARE!**



Rolling Center
UK
INNOVATIVE SOLUTIONS FOR
METAL GATES AND DOORS

TEL: 0113 201 6677

FAX: 0113 201 6688

INFO@ROLLINGCENTER.CO.UK

WWW.ROLLINGCENTER.CO.UK

Rolling Center Uk Ltd
Unit 6, Whitehall Cross
Leeds
LS12 5XE